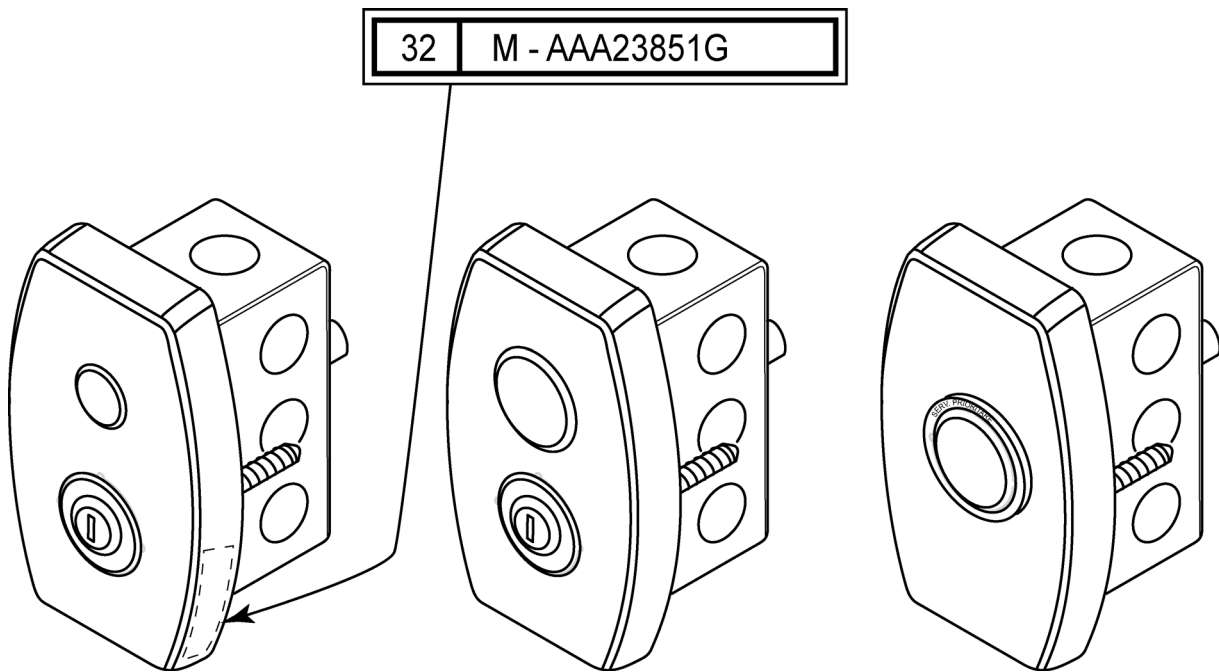


**Hall Fixture  
Hall Option Assembly  
1 or 2 Module  
(Series 5 Fixture)**

**Spare Parts Leaflet  
32-AAA23851G  
June 19, 2024 / Page 1 of 4**

# OBSOLESCENCE NOTICE

The product listed in this SPL is obsolete. Some components may still be available, but Otis recommends an upgrade (see TIP 32.2-1 for potential upgrade).



**OTIS**

This document does not contain any technical data subject to EAR or ITAR

**SERVICE ENGINEERING  
Otis Elevator Company  
Bloomfield, Connecticut USA**

Unpublished Work—© Otis Elevator Co.; 2024

# History

**32-AAA23851G**

## Leaflet Description

This SPL describes the lowest replacement units (LRUs) for the Series 5 fixture 1 or 2 module hall option assembly.

## Leaflet Revisions

Date Revised	Subject Matter Expert	Reason for Revision
July 26, 2004	Lisa K. Mitchell	New SPL
April 25, 2008	Joseph D. Zych	Added p/n AAA180JA1 on p. 3
July 25, 2012	Joseph D. Zych	Added FS4 material finish
September 16, 2020	Joseph D. Zych	Corrected SPL reference on p. 3
June 19, 2024	Juan Murillo	Series 5 fixtures now obsolete.

## Related Drawings

Drawing No.	Title	Drawing No.	Title
AAA23851G	Hall Option Assembly Landing Fixture Slim	AAA23852A	Hall Fixture Arrangement, Series 5

## Related Documents

Document ID	Title
SPL 31-AAA23500BY	Luxury Micro-Motion III Pushbutton
SPL 31-AAA23500AK	Fixture – Part Luxury, Modular Micro-Motion 3 Pushbutton
SPL 31-AAA23851A	Fixture – Part, Key Button (Series 5 Fixture)
SPL 31-AAA23851B	Hall Option Assembly: Landing Fixture Jewel
SPL 31-AAA340CV	Fixture – Part, Keyswitch Collars

## Subject Matter Expert

Name	Department
Juan Murillo	OSC Service Engineering

## About Spare Parts Leaflets...

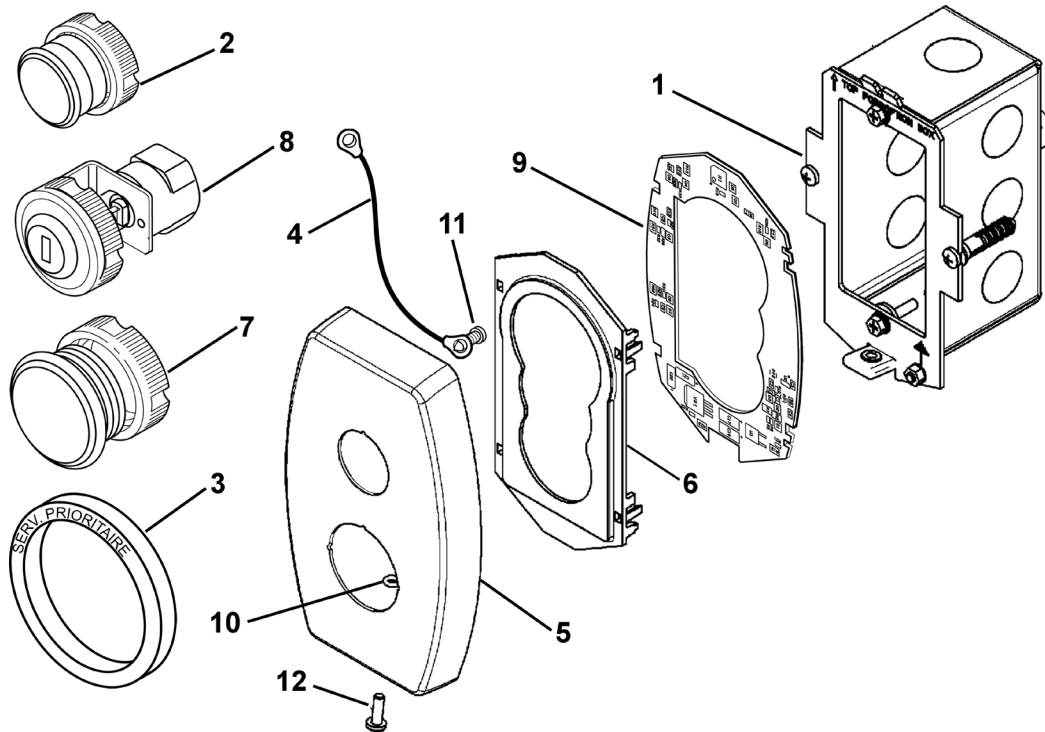
This document lists the lowest replaceable units (LRUs) for the standard version of the product. The LRUs are chosen by a team of Otis associates representing engineering and manufacturing.

While goal of this document is to make parts identification as easy as possible, the document cannot be all-inclusive. Elevator and escalator contracts classified as “special” or “custom” are not addressed here. For such contracts, please refer to specified information, the contract folder, TIPS, Field Education Articles, Construction Letters, etc. for further information.

If you have any suggestions about this document, please contact the subject matter expert listed on this page.

# Hall Option Fixture Components

**32-AAA23851G**

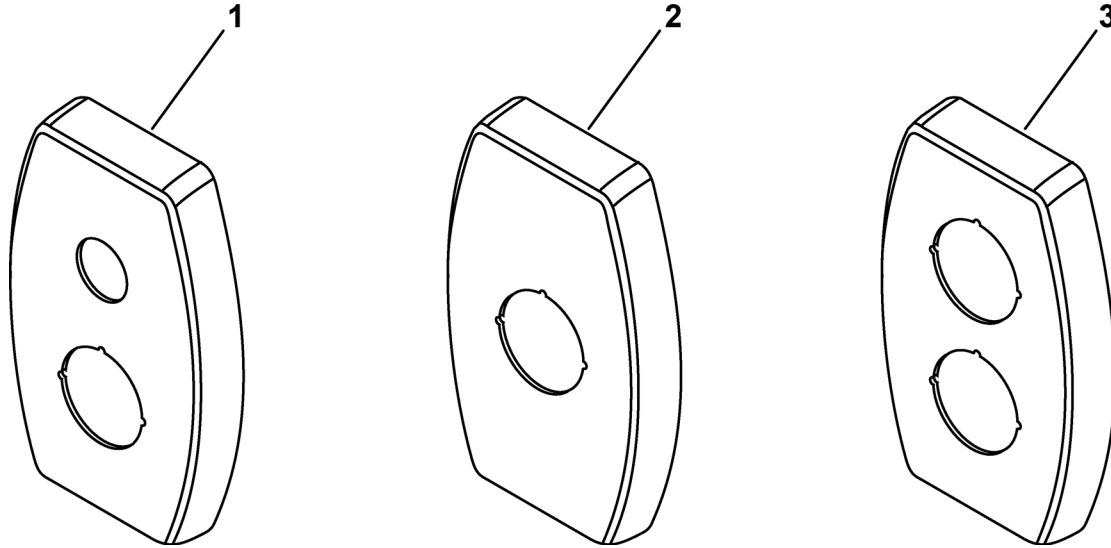


**AAA23851G**

REF. No.	PART No.	DESCRIPTION	
1	AAA308WR3 AAA308WR11	Assembly, Box, Electrical	
2	---	Button (finish = GOLDB, GOLDM)  SPL 31-AAA23500BY	
	---	Button (finish = SSB, SSM)  SPL 31-AAA23500AK	
3	---	Collar, Type AAA340CV,  SPL 31-AAA340CV	
4	AAA175ABY1	Conductor, Frame Ground, 14 AWG, Green/Yellow, 250 mm L	
5	---	Frame,  Page 4	
6	AAA180JA1	Holder, PC Board	
7	---	Jewel,  SPL 31-AAA23851B	
8	---	Key Switch,  SPL 32-AAA23851A	
9	ABA26800AKH1 AAA26800AMS2	PC Board, Remote Serial Link (RSL)	
10	AAA172TY1	Ring, Screw Retaining	
11	DIN7500CM4X8-Z-Z	Screw, Grounding, Thread Rolling, Cross Recessed Pan Head, M4 x 8 mm	
12	AAA124HE1	Screw, Tamper Resistant, M4	FS4 (Ferritic steel)
	AAA124HE2		SSB (brushed stainless)
	AAA124HE3		GOLDB (brushed bronze)
	AAA124HE4		SSM (mirror stainless)
			GOLDM (mirror bronze)

# Hall Option Fixture Frames

**32-AAA23851G**



<b>AAA23851G</b>				
<b>REF. No.</b>	<b>PART No.</b>	<b>DESCRIPTION</b>	<b>FIXTURES</b>	<b>FINISH</b>
1	AAA374ZV996-FS4	Frame	Button and One Option	Ferritic Steel
	AAA374ZV996-GOLDB			Brushed Bronze
	AAA374ZV996-GOLDM			Mirror Bronze
	AAA374ZV996-SSB			Brushed Stainless
	AAA374ZV996-SSM			Mirror Stainless
2	AAA374ZV994-FS4		One Option	Ferritic Steel
	AAA374ZV994-GOLDB			Brushed Bronze
	AAA374ZV994-GOLDM			Mirror Bronze
	AAA374ZV994-SSB			Brushed Stainless
	AAA374ZV994-SSM			Mirror Stainless
3	AAA374ZV995-FS4		Two Options	Ferritic Steel
	AAA374ZV995-GOLDB			Brushed Bronze
	AAA374ZV995-GOLDM			Mirror Bronze
	AAA374ZV995-SSB			Brushed Stainless
	AAA374ZV995-SSM			Mirror Stainless