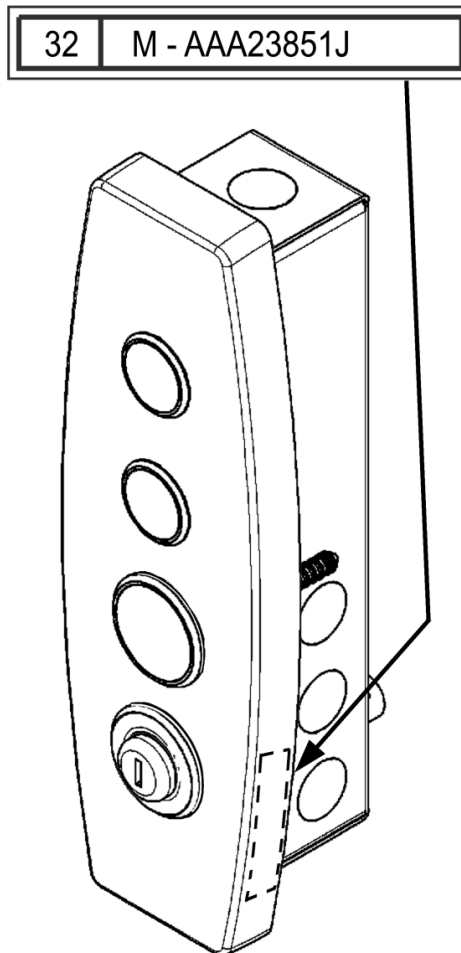


**Hall Fixture  
Hall Option Assembly  
3- or 4-Module  
(Series 5 Fixture)**

**Spare Parts Leaflet  
32-AAA23851J  
June 19, 2024 / Page 1 of 7**

# OBSOLESCENCE NOTICE

The product listed in this SPL is obsolete. Some components may still be available, but Otis recommends an upgrade (see TIP 32.2-1 for potential upgrade).



**OTIS**

This document does not contain any technical data subject to EAR or ITAR

**SERVICE ENGINEERING  
Otis Elevator Company  
Bloomfield, Connecticut USA**

Unpublished Work—© Otis Elevator Co.; 2024

# History

**32-AAA23851J**

## Leaflet Description

This SPL describes the lowest replacement units (LRUs) for the Series 5 fixture 3 or 4 module hall option assembly. In 2009, Otis made a decision to obsolete the AAA23500AK, BY, and CC 24 volt buttons. They are directly replaced by the AAA23500CH buttons.

## Leaflet Revisions

Date Revised	Subject Matter Expert	Reason for Revision
September 9, 2004	Dennis Rehmer	New SPL
March 26, 2009	Joseph Zych	Update part numbers for reference 6, p. 3 and reference 2, p.4. Also, p. 3 button types AAA23500AK, BY, and CC superseded by button type AAA23500CH.
May 18, 2011	Joseph Zych	Added Elevator Communication Failure hall fixture, jewel and keyswitch information
May 13, 2015	Joseph Zych	Corrected ref. 5 on p. 3
June 19, 2024	Juan Murillo	Series 5 fixtures now obsolete.

## Related Drawings

Drawing No.	Title	Drawing No.	Title
AAA23851J	Hall Option Assembly Landing Fixture Slim	AAA23852B	Hall Series Arrangement, Series 5 Fixed Addressing

## Related Documents

Document ID	Title
SPL 31-AAA23500BY	Micro-Motion III Pushbutton
SPL 31-AAA23500AK	Micro-Motion III Pushbutton
SPL 32-AAA23500CH	Micro-Motion III Pushbutton
SPL 31-AAA23851A	Fixture – Part, Key Button (Series 5 Fixture)
SPL 31-AAA23851B	Hall Option Assembly: Landing Fixture Jewel
SPL 31-340AA	Fixture – Part, Keyswitch Collars

## Subject Matter Expert

Name	Department
Juan Murillo	OSC Service Engineering

## About Spare Parts Leaflets...

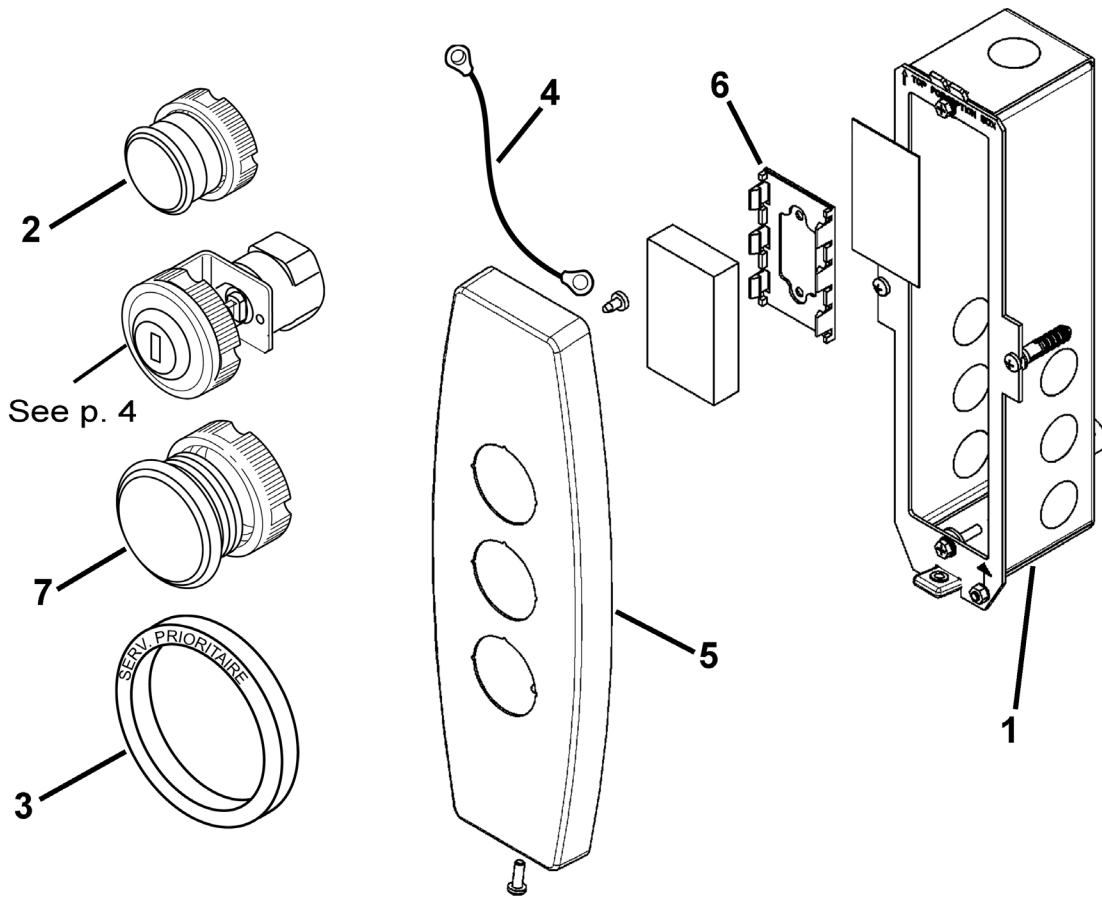
This document lists the lowest replaceable units (LRUs) for the standard version of the product. The LRUs are chosen by a team of Otis associates representing engineering and manufacturing.

While goal of this document is to make parts identification as easy as possible, the document cannot be all-inclusive. Elevator and escalator contracts classified as “special” or “custom” are not addressed here. For such contracts, please refer to specified information, the contract folder, TIPs, Field Education Articles, Construction Letters, etc. for further information.

If you have any suggestions about this document, please contact the subject matter expert listed on this page.

# Hall Option Fixture Components

**32-AAA23851J**

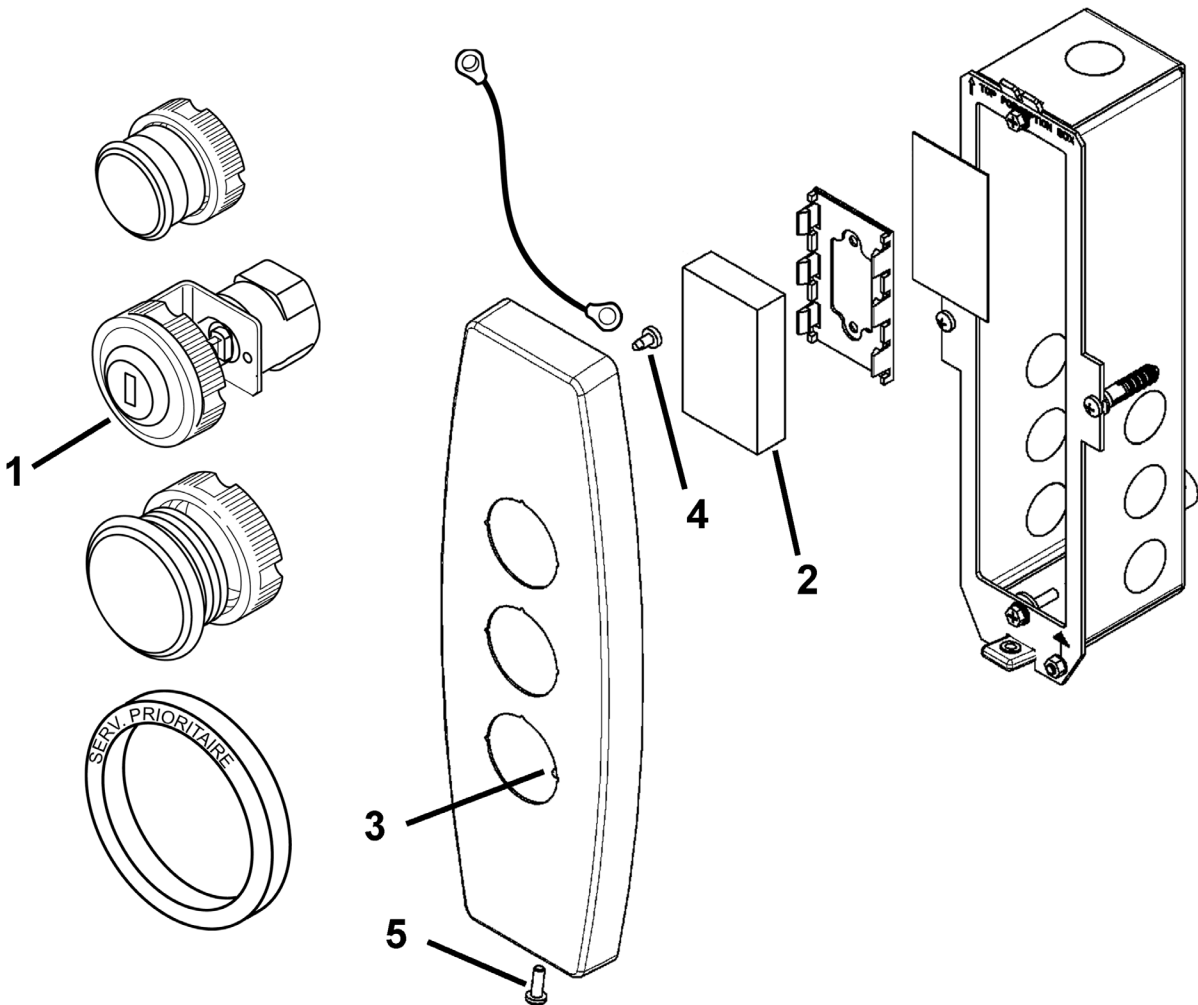



AAA23851J		
REF. No.	PART No.	DESCRIPTION
1	AAA308WR6	Assembly, Box, Electrical
2	---	Buttons, Micromotion III, Luxury, Type AAA23500AK
	---	Buttons, Micromotion III, Luxury, Type AAA23500BY
	---	Buttons, Micromotion III, Luxury, Type AAA23500CG
	---	Buttons, Micromotion III, Luxury, Type AAA23500CH, 👁 SPL 31-AAA23500CH
	---	Button (vandal-resistant), Micromotion III, Type AAA23500AM, 👁 SPL 31-AAA23500AK
3	---	Collar, Type AAA340CV, 👁 SPL 31-AAA340CV
4	AAA175ABY3	Conductor, Frame Ground, 14 AWG, Green/Yellow, 390 mm L
5	---	Frame, 👁 Page 6
6	FBA316SL1	Holder, PC Board
7	---	Jewel, 👁 SPL 31-AAA23851B

Continued on next page.

# Hall Option Fixture Frames

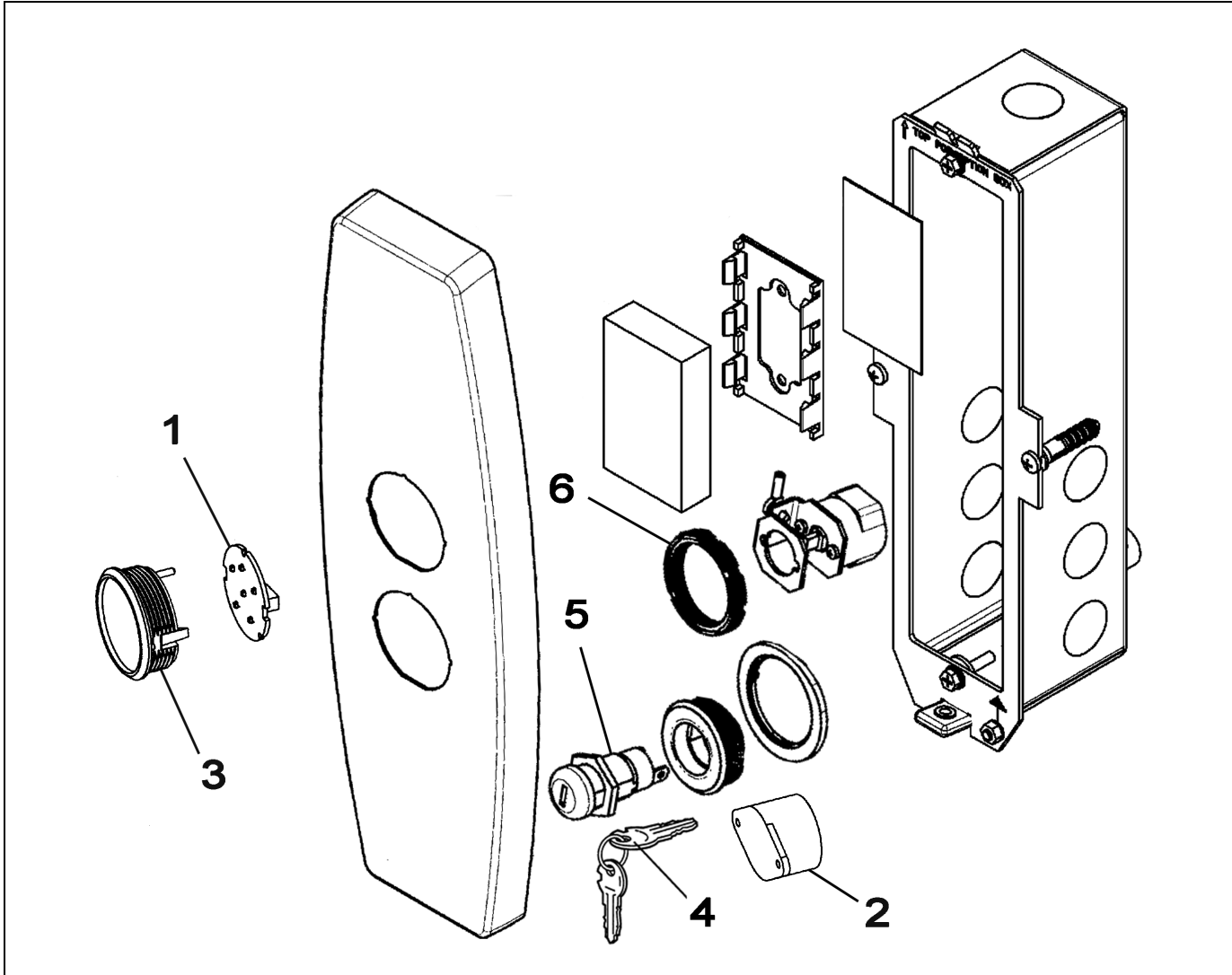
**32-AAA23851J**



AAA23851J		
REF. No.	PART No.	DESCRIPTION
1	---	Keyswitch,  SPL 32-AAA23851A
2	GDA25005B1	PC Board, Remote Station 14 (RS-14)
3	AAA172TY1	Ring, Screw Retaining
4	DIN7500CM4X8-Z-Z	Screw, Grounding, Thread Rolling, Cross Recessed Pan Head, M4 x 8 mm
5	AAA124HE1	Screw, Tamper Resistant, M4, SSB (brushed stainless and Ferritic Mill4)
	AAA124HE2	Screw, Tamper Resistant, M4, GOLDB (brushed bronze)
	AAA124HE3	Screw, Tamper Resistant, M4, SSM (mirror stainless)
	AAA124HE4	Screw, Tamper Resistant, M4, GOLDM (mirror bronze)

# Hall Option Fixture Components (EFFCO)

**32-AAA23851J**

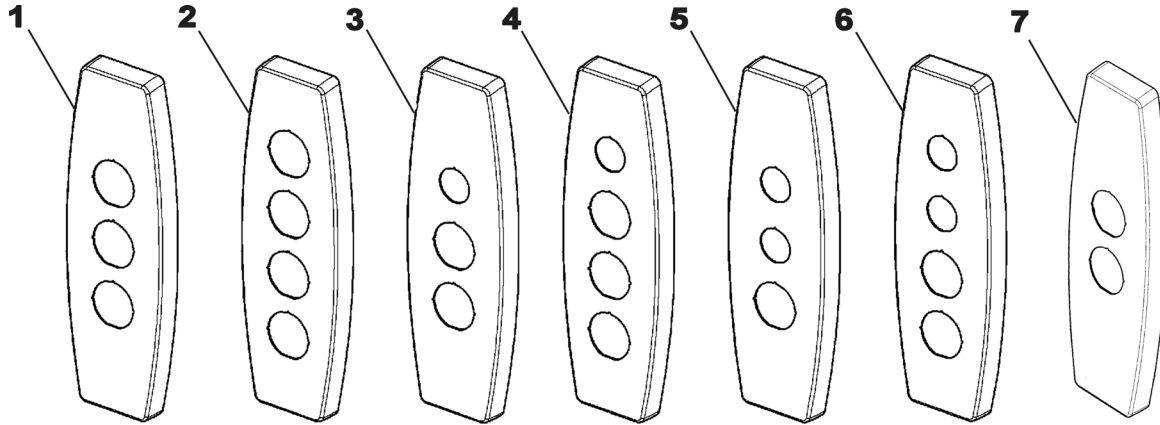


AAA23851J		
REF. No.	PART No.	DESCRIPTION
1	AAA26800AJS4	Board, Circuit
2	6219F3	Buzzer, Elevator Communication Failure
*	AAA00174AAL078	Cable, RS14 to Buzzer
*	AAA174AHK7	Cable, Electrical, RS14 to Keyswitch, L = 288 mm
*	AAA174AHK8	Cable, Electrical, RS14 to Jewel, L = 290 mm
*	AAA340CV32	Collar, Bilingual
3	AAA23851B35	Jewel, Elevator Communication Failure, Bilingual
	AAA23851B36	Jewel, Elevator Communication Failure, French
4	6410W-UTA	Key
5	AAA23851A174	Keyswitch Module, Elevator Communication Failure
6	AAA72JZ1	Nut (for Run/Stop toggle switch)
*	AAA297BK1	Tape, Adhesive (W → p/n 6219F3)

\* Parts not shown.

# Hall Option Fixture Components

**32-AAA23851J**



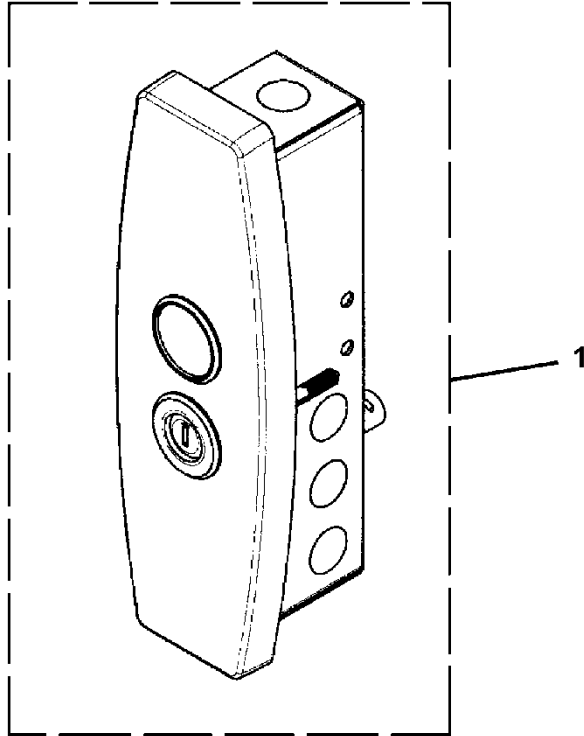
**AAA23851J**

REF. No.	PART No.	FINISH	FIXTURES	DESCRIPTION
1	AAA374ZW993-GOLDB	Brushed Bronze	Three Options	Frame
	AAA374ZW993-GOLDM	Mirror Bronze		
	AAA374ZW993-SSB	Brushed Stainless		
	AAA374ZW993-SSM	Mirror Stainless		
2	AAA374ZW992-GOLDB	Brushed Bronze	Four Options	
	AAA374ZW992-GOLDM	Mirror Bronze		
	AAA374ZW992-SSB	Brushed Stainless		
	AAA374ZW992-SSM	Mirror Stainless		
3	AAA374ZW991-GOLDB	Brushed Bronze	One Button and Two Options	
	AAA374ZW991-GOLDM	Mirror Bronze		
	AAA374ZW991-SSB	Brushed Stainless		
	AAA374ZW991-SSM	Mirror Stainless		
4	AAA374ZW990-GOLDB	Brushed Bronze	One Button and Three Options	
	AAA374ZW990-GOLDM	Mirror Bronze		
	AAA374ZW990-SSB	Brushed Stainless		
	AAA374ZW990-SSM	Mirror Stainless		
5	AAA374ZW989-GOLDB	Brushed Bronze	Two Buttons and One Option	
	AAA374ZW989-GOLDM	Mirror Bronze		
	AAA374ZW989-SSB	Brushed Stainless		
	AAA374ZW989-SSM	Mirror Stainless		
6	AAA374ZW988-GOLDB	Brushed Bronze	Two Buttons and Two Options	
	AAA374ZW988-GOLDM	Mirror Bronze		
	AAA374ZW988-SSB	Brushed Stainless		
	AAA374ZW988-SSM	Mirror Stainless		
7	AAA374ZW986-SSB	Brushed Stainless	Two Options with Buzzer	
	AAA374ZW986-GOLDB	Brushed Bronze		
	AAA374ZW986-SSM	Mirror Stainless		
	AAA374ZW986-GOLDM	Mirror Bronze		
	AAA374ZW986-FS4	Ferritic Mill4		

\* Parts not shown.

# Hall Fixture

**32-AAA23851J**



REF. No.	AAA23851J PART No.	DESCRIPTION	FINISH
1	AAA23851K1	Hall Fixture, Emergency Communication Failure	Ferritic Mill4
	AAA23851K2		Brushed Stainless
	AAA23851K3		Brushed Bronze
	AAA23851K4		Mirror Stainless
	AAA23851K5		Mirror Bronze