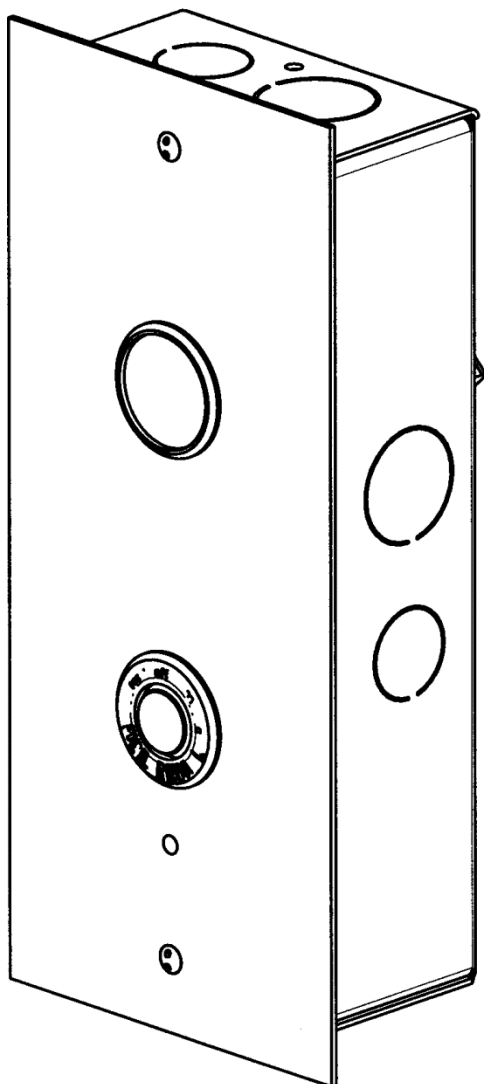


# Hall Arrangement Overflow Fixture

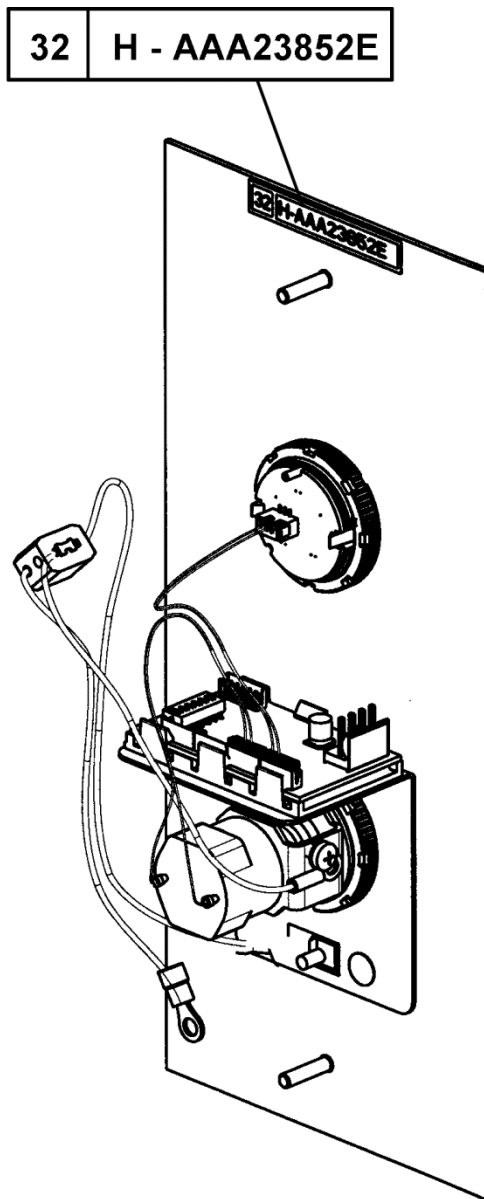
**Spare Parts Leaflet**

**32-AAA23852E**

September 18, 2013 / Page 1 of 4



Outside View



Inside View  
w/ Junction Box  
Removed for Clarity

**OTIS**

**Safety First!**

**SERVICE ENGINEERING**  
Otis Elevator Company  
Bloomfield, Connecticut USA

**Leaflet Description**

This leaflet provides spare parts information for hall arrangement overflow fixture. These are used with the G2S product when all of the required hall fixture components would not fit the door frame.

**Leaflet Revisions**

<b>Date Revised</b>	<b>Subject Matter Expert</b>	<b>Reason for Revision</b>
September 18, 2013	Joseph Zych	New SPL

**Related Drawings**

<b>Drawing No.</b>	<b>Title</b>	<b>Drawing No.</b>	<b>Title</b>
AAA23852E	Hall Arrangement Overflow Fixture		

**Related Documents**

<b>Document ID</b>	<b>Title</b>
SPL 32-AAA23851A	Keyswitch Series 5
SPL 32-AAA23851B	Fixture Jewel Assembly
SPL 31-AAA340CV	Fixture—Part, Collar, Keyswitch and Jewel

**Subject Matter Expert**

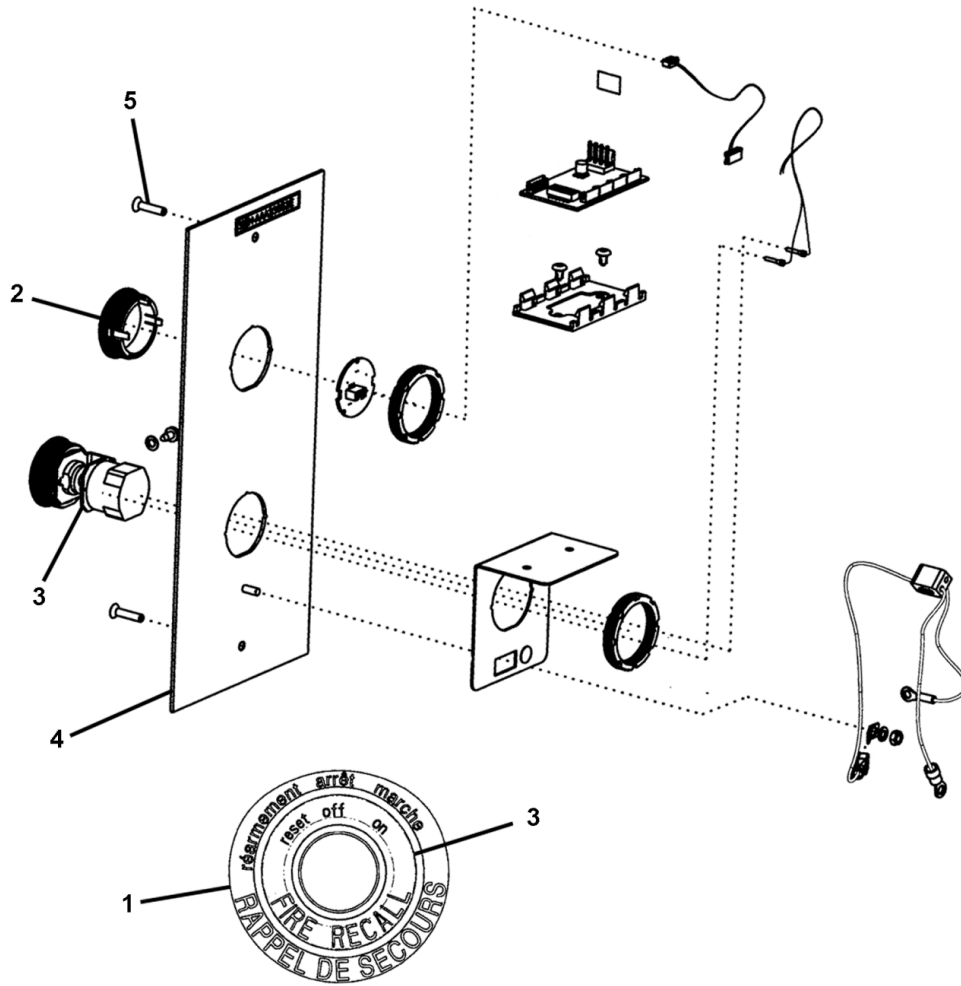
<b>Name</b>	<b>Department</b>
Joseph Zych	OSC Service Engineering




**About Spare Parts Leaflets...**

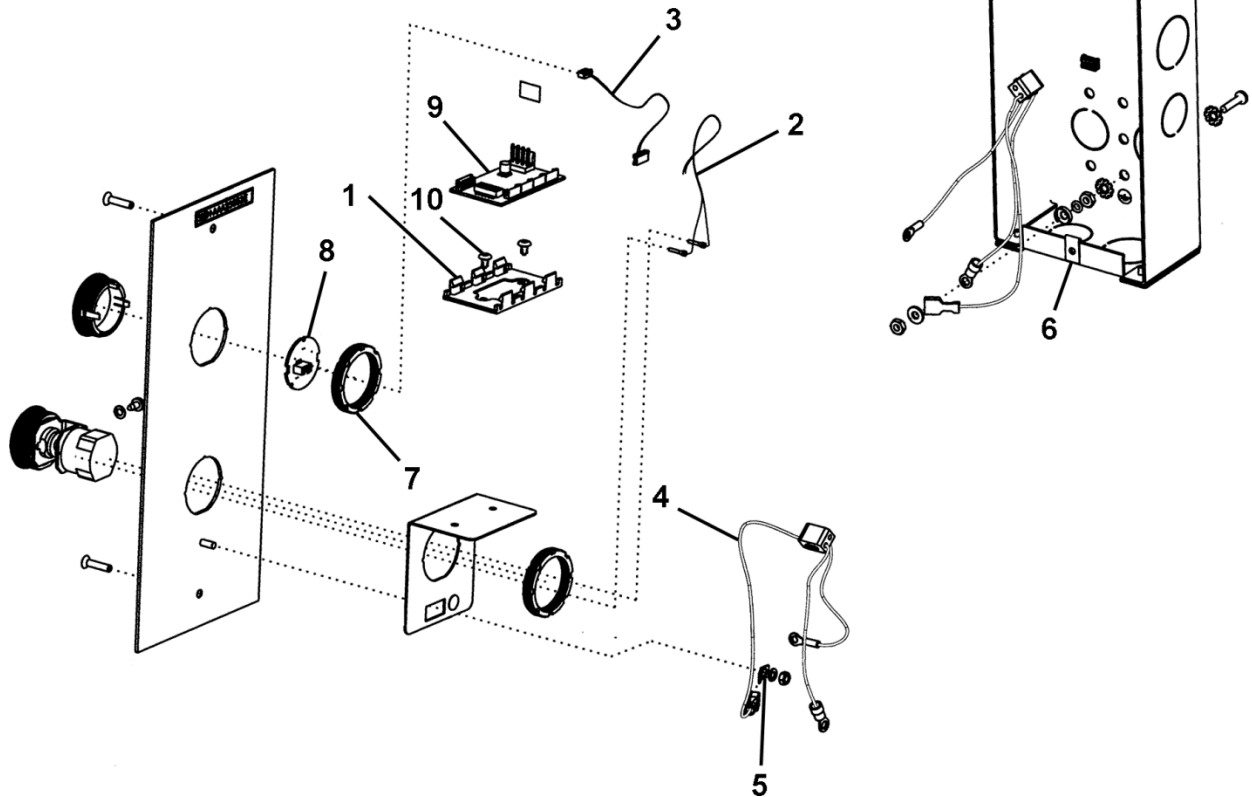
This document lists the lowest replaceable units (LRUs) for the standard version of the product. The LRUs are chosen by a team of Otis associates representing engineering and manufacturing.

While goal of this document is to make parts identification as easy as possible, the document cannot be all-inclusive. Elevator and escalator contracts classified as “special” or “custom” are not addressed here. For such contracts, please refer to specified information, the contract folder, TIPs, Field Education Articles, Construction Letters, etc. for further information.

If you have any suggestions about this document, please contact the subject matter expert listed on this page.



AAA23852E		
REF. No.	PART No.	DESCRIPTION
1		Collar, Keyswitch, Type AAA340CV,  SPL 31-AAA340CV
2	---	Jewel, Fire Recall, Type AAA23851B,  SPL 32-AAA23851B
3	---	Keyswitch, S.E.S, Type AAA23851A,  SPL 32-AAA23851A
4	AAA147TN1-FS4	Plate, Face, Stainless Steel Finish
	AAA147TN1-MF4	Plate, Face, Mill 4 Finish
	AAA147TN1-BR7	Plate, Face, Satin Bronze Finish
	AAA147TN1-SS8	Plate, Face, Stainless Steel Mirror Finish
	AAA147TN1-BR8	Plate, Face, Mirror Bronze Finish
5	124DK11	Screw, Tamper Resistant, (FS4) Stainless Steel, (MF4) Mill 4 Finish
	124DK12	Screw, Tamper Resistant, (BR7) Satin Bronze Finish
	124DK23	Screw, Tamper Resistant, (SS8) Stainless Steel, Mirror Finish
	124DK24	Screw, Tamper Resistant, (BR8) Mirror Bronze Finish



AAA23852E		
REF. No.	PART No.	DESCRIPTION
1	FBA316SL1	Bracket
2	AAA25400BT34	Cable, Electrical, RSL14 to Keyswitch
3	AAA25400BT21	Cable, Electrical, RSL14 to Jewel
4	AAA00175AAB226	Conductor, Faceplate GRD Wire
5	190BM5	Lug, Terminal
6	72BX7	Nut
7	AAA72JZ1	Nut
8	AAA26800AJS4	PCB, Electronic, Red LED
9	DAA26800AL1	PCB, RS14
10	AAA141AN1	Rivet, Snap