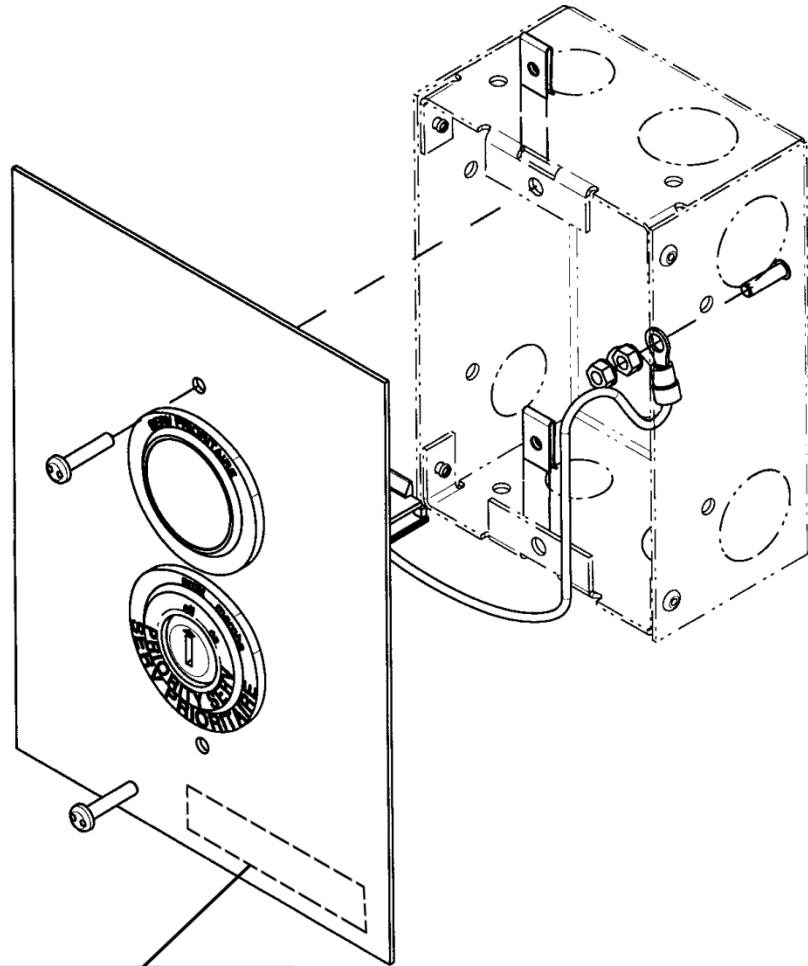


**Hall Option Fixture  
with Series 5 Jewel and/or  
Keyswitch**

**Spare Parts Leaflet**

**32-AAA23852F**

**May 15, 2024 / Page 1 of 5**



**32 | H - AAA23852F**

**OTIS**

This document does not contain any  
technical data subject to EAR or ITAR

**SERVICE ENGINEERING  
Otis Elevator Company  
Bloomfield, Connecticut USA**

Unpublished Work—© Otis Elevator Co.; 2024

# History

**32-AAA23852F**

## Leaflet Description

This SPL provides spare parts information for hall option fixture. Acronyms used in the SPL:

SIMPWR: Simplex Power

SES: Special Emergency Service

ECF: Elevator Communications Failure

STBY: Standby

EMT: Massachusetts Medical Emergency Service

EPOSEL: Emergency Power Select Cable

## Leaflet Revisions

Date Revised	Subject Matter Expert	Reason for Revision
May 29, 2013	Joseph Zych	New SPL
June 18, 2014	Joseph Zych	Updated document template; Updated illustration on p. 3
December 16, 2015	Joseph Zych	Changed "Simplex Emergency Power" to "Elevator Emergency Power" in a number of instances
November 2, 2016	Priyank Mehta and Joseph Zych	Added p/ns AAA147VC5 and AAA147VC6 and updated illustration on p.3.; Added p/ns AAA25400BT79 and AAA25400BV79 and updated illustration on p.5; Listed acronyms on history page.
May 3, 2017	Paul Kerr	Updated Ref. 1 on p. 5
May 15, 2024	Vadzim Fedarenka	Added AAA25400BT111 cable (p. 5) & related docs

## Related Drawings

Drawing No.	Title
AAA23852F	Hall Option Fixture

## Related Documents

Document ID	Title
SPL 31-AAA340CV	Collar Adaptor Keyswitch and Jewel (French Markings)
SPL 31-AAA23851B	Fixture: Jewel Assembly
SPL 32-AAA23851A	Keyswitch Series 5
SPL 31-AAA25400BT	Car Prewiring COP and Hall
SPL 31-AAA25400BV	Cable Electrical CAN COP and Hall Prewiring

## Subject Matter Expert

Name	Department
Vadzim Fedarenka	OSC Service Engineering

## About Spare Parts Leaflets...

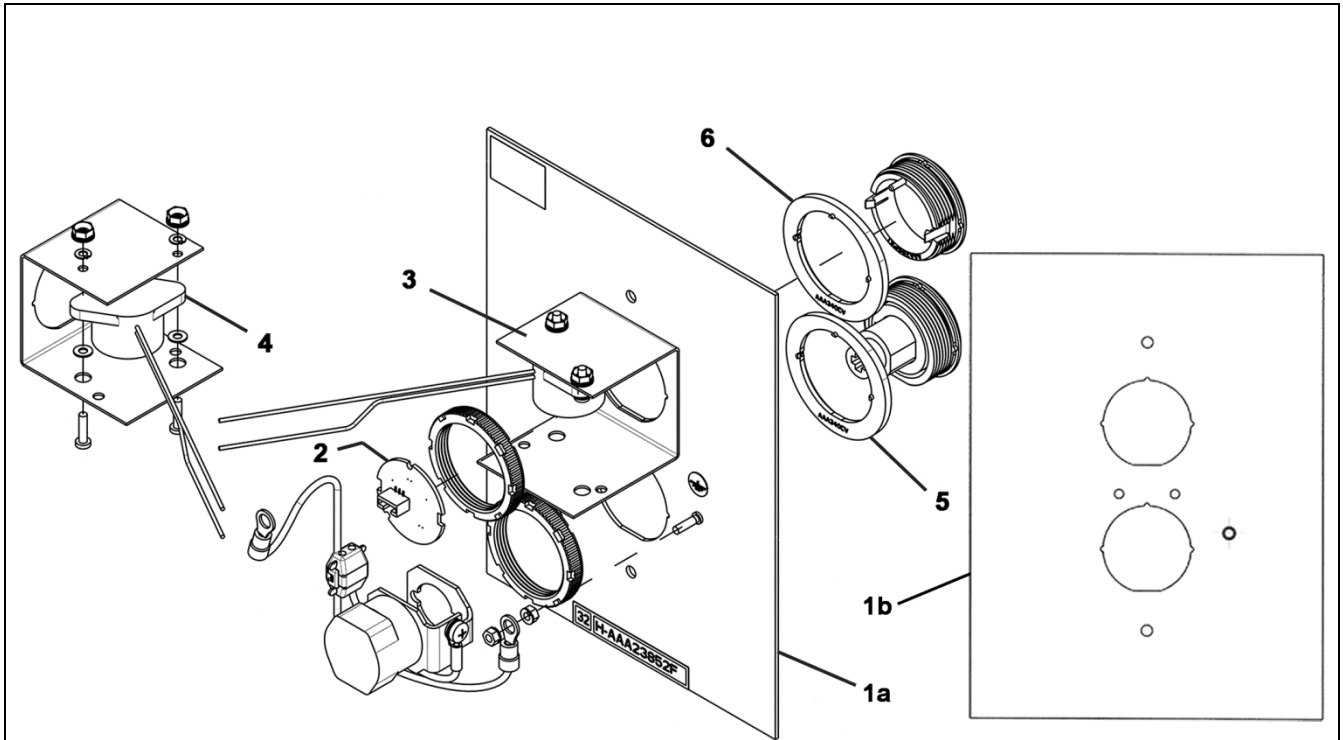
This document lists the lowest replaceable units (LRUs) for the standard version of the product. The LRUs are chosen by a team of Otis associates representing engineering and manufacturing.

While goal of this document is to make parts identification as easy as possible, the document cannot be all-inclusive. Elevator and escalator contracts classified as "special" or "custom" are not addressed here. For such contracts, please refer to specified information, the contract folder, TIPs, Field Education Articles, Construction Letters, etc. for further information.

If you have any suggestions about this document, please contact the subject matter expert listed on this page.

# Faceplates and Collars

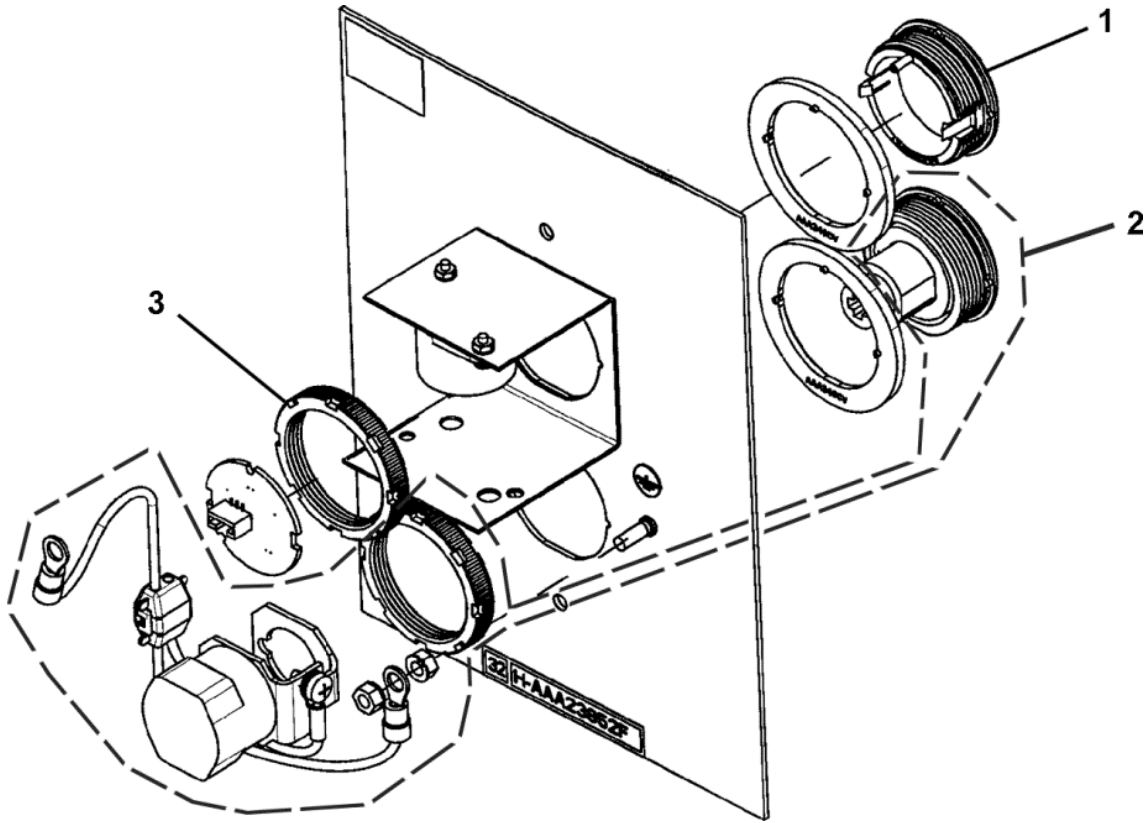
**32-AAA23852F**



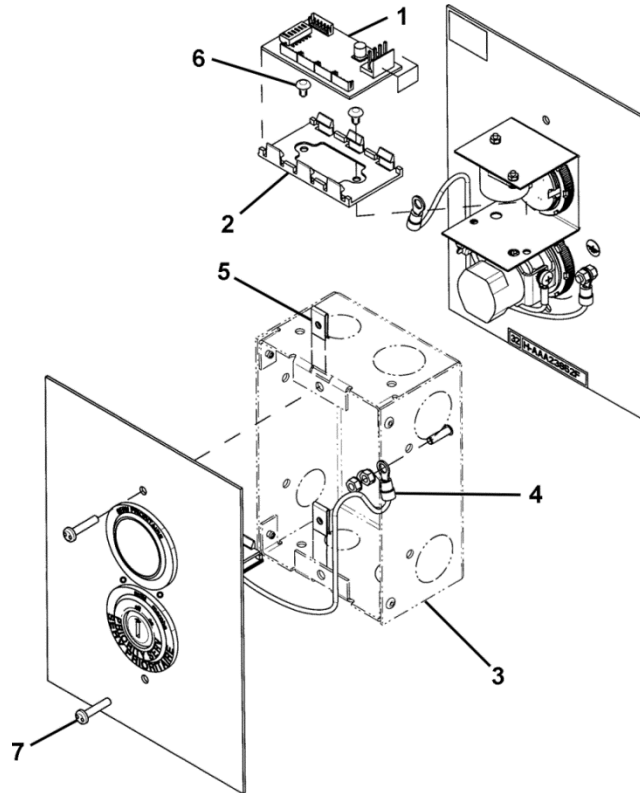
<b>AAA23852F</b>		
<b>REF. No.</b>	<b>PART No.</b>	<b>DESCRIPTION</b>
1a	AAA147VC1	Assembly, Faceplate, Ferritic Stainless Steel FS4 (1 cutout)
	AAA147VC2	Assembly, Faceplate, Ferritic Stainless Steel FS4 (2 cutouts)
	AAA147VC3	Assembly, Faceplate, Tinted Bronze BT (1 cutout)
	AAA147VC4	Assembly, Faceplate, Tinted Bronze BT (2 cutouts)
1b	AAA147VC5	Assembly, Faceplate, Ferritic Stainless Steel FS4 (2 cutouts w/ 2 LED holes)
	AAA147VC6	Assembly, Faceplate, Tinted Bronze BT (2 cutouts w/ 2 LED holes)
2	AAA26800AJS4	Assembly, PC Board, Jewel w/ Red LED
	AAA26800AJS6	Assembly, PC Board, Jewel w/ Blue LED
3	AAA316HZD4	Bracket, RS14 Mounting
4	6219F2	Buzzer, Elevator Communication Failure
5	---	Collar, Type AAA340CV, Elevator Emergency Power, Blank, English or French, See SPL 31-AAA340CV
	AAA340CV18	Collar, Hallway Cutout, French
	AAA340CV30	Collar, Express Priority Service, French
	---	Collar, Type AAA340CV, SES Phase I Fire Recall, French, See SPL 31-AAA340CV
6	AAA340CV8	Collar, Elevator Emergency Power, Jewel, French
	AAA340CV32	Collar, Elevator Communication Failure, Jewel, French
	AAA340CV4	Collar, Express Priority Service, Jewel, French
	AAA340CV7	Collar, SES Phase 1 Fire Recall, Jewel, French

# Jewels and Keyswitches

**32-AAA23852F**



AAA23852F		
REF. No.	PART No.	DESCRIPTION
1	AAA23851B23	Jewel, Elevator Emergency Power, English
	AAA23851B33	Jewel, Elevator Emergency Power, French
	AAA23851B35	Jewel, Elevator Communication Failure, English
	AAA23851B36	Jewel, Elevator Communication Failure, French
	AAA23851B16	Jewel, Express Priority Service, English
	AAA23851B28	Jewel, Express Priority Service, French
	AAA23851B14	Jewel, Emergency Medical Service
	---	Jewel, Fire Recall, Type AAA23851B, See SPL 31-AAA23851B
2	AAA23851A69	Keyswitch, Hallway Cutout, English
	AAA23851A70	Keyswitch, Hallway Cutout, French
	AAA23851A174	Keyswitch, Elevator Communication Failure, Blank
	AAA23851A59	Keyswitch, Express Priority, English
	AAA23851A60	Keyswitch, Express Priority, French
	AAA23851A56	Keyswitch, Emergency Medical, MA
	---	Keyswitch, SES Phase I, Type AAA23851A, See SPL 32-AAA23851A
	---	Keyswitch, Emergency Power, Type AAA23851A, See SPL 32-AAA23851A
3	AAA72JZ1	Nut



AAA23852F		
REF. No.	PART No.	DESCRIPTION
1	DAA26800AL1 DCA26800AL1	Assembly, PC Board, RS14 (RSL)
	DAA26800Q1	Assembly, PC Board, CF14 (CAN)
2	FBA316SL1	Bracket, RS14 Holder / CF14 Holder
3	AAA309EC1	Box, Electric
*	AAA25400BT21	Cable, Electrical, SIMPWR / ECF / EMT / SES / STBY Jewel
	AAA25400BV21	Cable, Electrical, SIMPWR / ECF / EMT / SES / STBY Jewel
	AAA25400BT26	Cable, Electrical, Express Priority Jewel/Keyswitch
	AAA25400BV26	Cable, Electrical, Express Priority Jewel/Keyswitch
	AAA25400BT28	Cable, Electrical, Elevator Communication Failure Keyswitch/Buzzer
	AAA25400BV28	Cable, Electrical, Elevator Communication Failure Keyswitch/Buzzer
	AAA25400BT29	Cable, Electrical, Hall Cutout Keyswitch
	AAA25400BV29	Cable, Electrical, Hall Cutout Keyswitch
	AAA25400BT34	Cable, Electrical, Emergency Medical Keyswitch
	AAA25400BV34	Cable, Electrical, Emergency Medical Keyswitch
	AAA25400BT79	Cable Electrical, Emergency Power Select (EPOSEL) LED-RSL
	AAA25400BV79	Cable, Electrical, Emergency Power Select (EPOSEL) LED-CAN
	AAA25400BT111	Cable, Electrical, SES Phase 1 Fire Recall Keyswitch, LED-RSL
4	AAA00175AAB115	Conductor, Faceplate Ground Wire
5	72BX7	Nut, Speed, #8/M4
6	AAA141AN1	Rivet, Snap, RS14/CF14 Bracket and Holder
7	AAA124HE5	Screw, Tamper Resistant Pan Head, Stainless Steel Finish
	AAA124HE10	Screw, Tamper Resistant Pan Head, Bronze Finish

\* Parts not shown. See SPLs 31-AAA25400BT and 31-AAA25400BV.