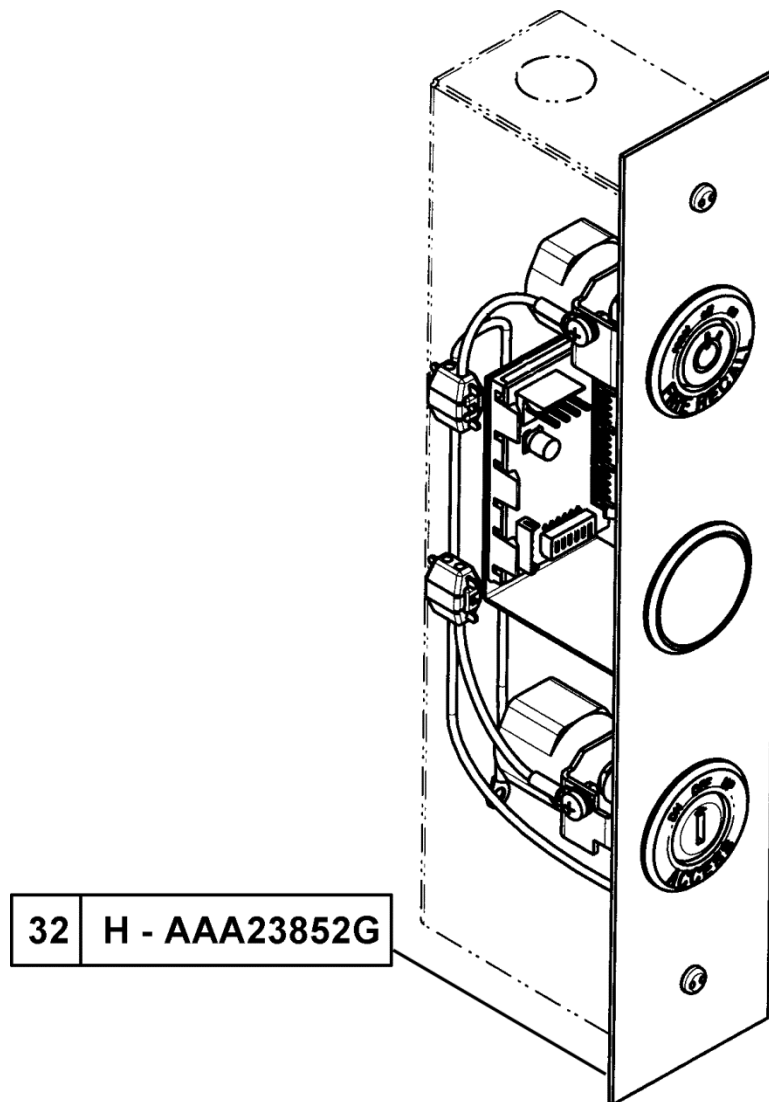


Hall Option Fixture
Jamb Mounted

Spare Parts Leaflet

32-AAA23852G

May 3, 2017 / Page 1 of 5



OTIS

This document does not contain any
technical data subject to EAR or ITAR

SERVICE ENGINEERING

Otis Elevator Company

Bloomfield, Connecticut USA

Unpublished Work—© Otis Elevator Co.; 2017

Leaflet Description

This leaflet provides spare parts information for type AAA23852G hall option fixture.

Leaflet Revisions

Date Revised	Subject Matter Expert	Reason for Revision
December 11, 2013	Joseph Zych	New SPL
May 3, 2017	Paul Kerr	Updated Ref. 2 on p. 5

Related Drawings

Drawing No.	Title	Drawing No.	Title
AAA23852G	Hall Option Fixture	---	---
---	---	---	---

Related Documents

Document ID	Title
---	---

Subject Matter Expert

Name	Department
Joseph Zych	OSC Service Engineering

About Spare Parts Leaflets...

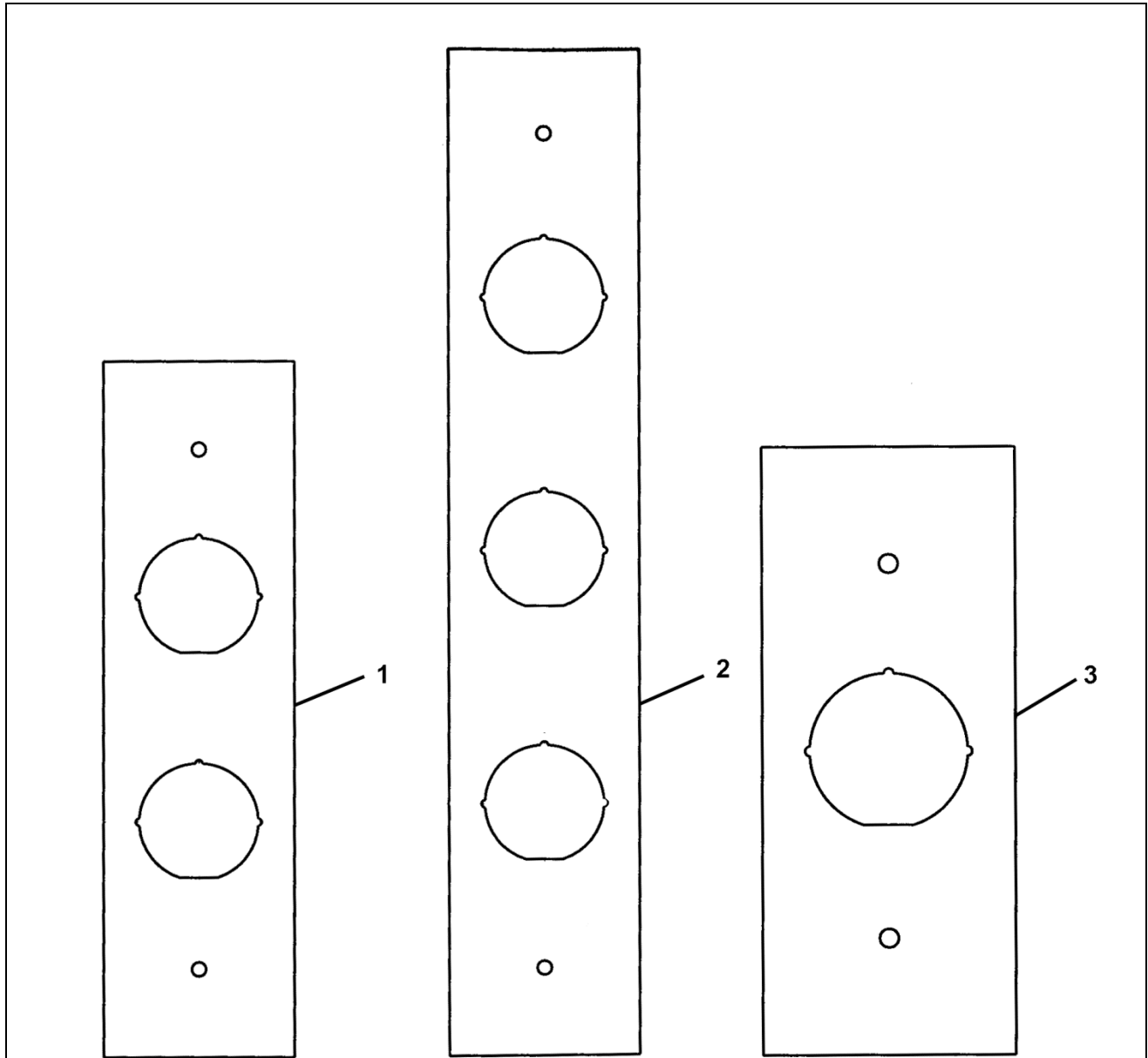
This document lists the lowest replaceable units (LRUs) for the standard version of the product. The LRUs are chosen by a team of Otis associates representing engineering and manufacturing.

While goal of this document is to make parts identification as easy as possible, the document cannot be all-inclusive. Elevator and escalator contracts classified as “special” or “custom” are not addressed here. For such contracts, please refer to specified information, the contract folder, TIPs, Field Education Articles, Construction Letters, etc. for further information.

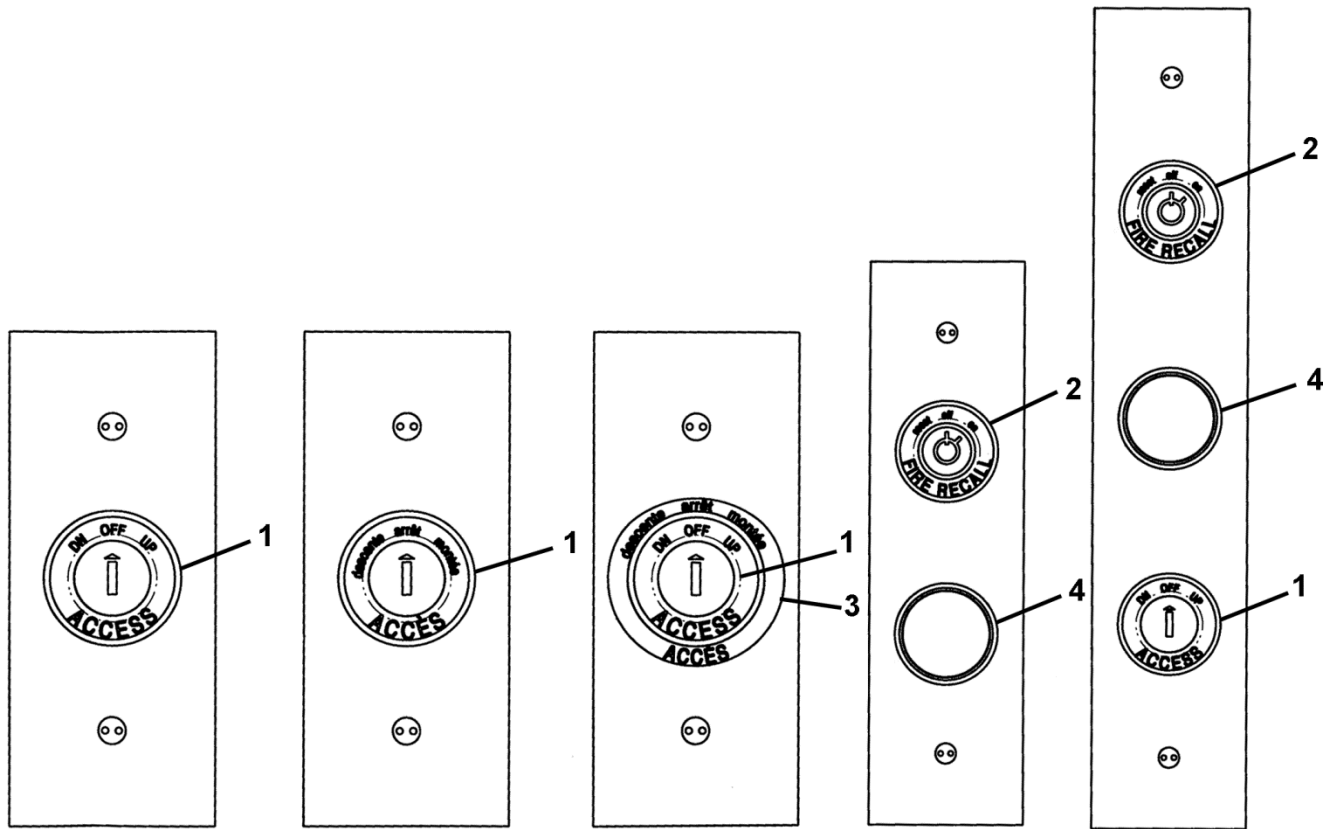
If you have any suggestions about this document, please contact the subject matter expert listed on this page.

Face Plate Assembly

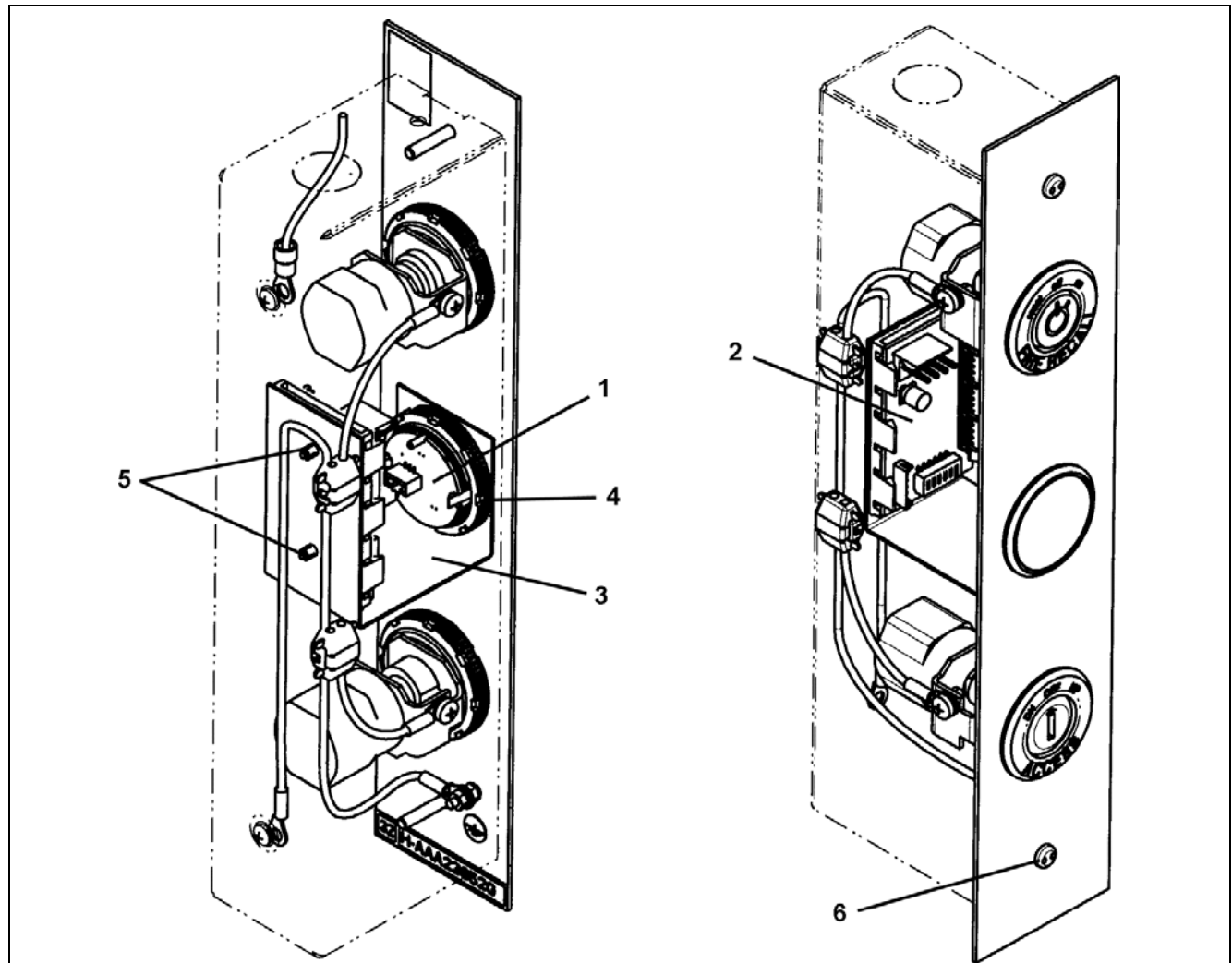
32-AAA23852G



REF. No.	PART No.	DESCRIPTION	REMARKS
	AAA23852G		
1	AAA147TF2	Plate, Face	SES Ferritic Stainless
	AAA147TF8	Plate, Face	SES Bronze Tinted
2	AAA147TF3	Plate, Face	SES w/ Access, Ferritic Stainless
	AAA147TF9	Plate, Face	SES w/ Access, Bronze Tinted
3	AAA147TF7	Plate, Face	Access, Ferritic Stainless
	AAA147TF10	Plate, Face	Access, Bronze Tinted



REF. No.	PART No.	DESCRIPTION
	AAA23852G	
1	AAA23851A175	Assembly, Access Keyswitch, English
	AAA23851A176	Assembly, Access Keyswitch, French
2	AAA23851A128	Assembly, Keyswitch, Fire Recall
3	AAA340CV33	Collar, Keyswitch, French Labeling
4	AAA23851B22	Jewel, Emergency Recall, 24 Volt DC



REF. No.	PART No.	DESCRIPTION
	AAA23852G	
1	AAA26800AJS4	Assembly, PC Board, Red LED
2	DAA26800AL1 DCA2600AL1	Assembly, PC Board, RS14 (RSL use only)
	DAA26800Q1	Assembly, PC Board, CF14 (CAN fixture)
3	AAA316HZD3	Bracket
*	AAA25400BT21	Cable, Electrical, Emergency Recall Jewel
	AAA25400BV21	Cable, Electrical, Emergency Recall Jewel (CAN fixture only)
4	AAA72JZ1	Nut, for Keyswitches and Jewels
5	AAA141AN1	Rivet, Snap
6	AAA124HE5	Screw, Tamper Resistant M4 x 20, Stainless Steel
	AAA124HE10	Screw, Tamper Resistant M4 x 20, Tinted Bronze

* Parts not shown.