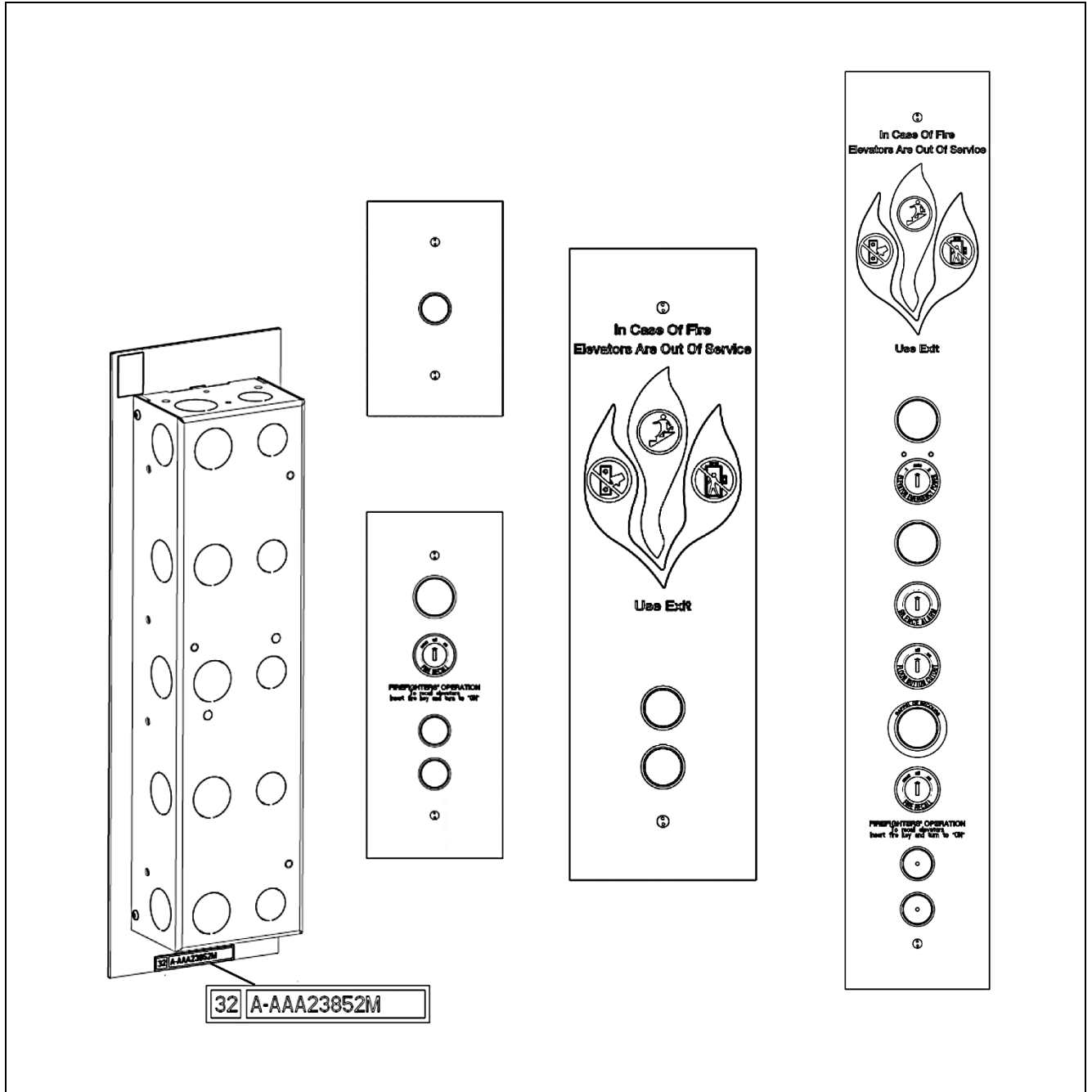


Combo Button Fixture Jewel and/or Keyswitch

Spare Parts Leaflet

32-AAA23852M

May 8, 2024 / Page 1 of 13



This document contains technical information subject to EAR, ECCN=EAR99

SERVICE ENGINEERING
Otis Elevator Company
Bloomfield, Connecticut USA

Unpublished Work—© Otis Elevator Co.; 2024

History

32-AAA23852M

Leaflet Description

Combo Button fixture is a combination of various keyswitches, jewels, call buttons, and flames. Each fixture may or may not have all these parts. We have two types of flames, and each has two types of texts. The width of the fixture is the same for all combinations and the height will vary depending on the number of Buttons, Keyswitch/Jewel, and flame. These fixtures are mounted only on the Wall (not Jamb) and-used in G2S, HYD and G2O products.

Leaflet Revisions

Date Revised	Subject Matter Expert	Reason for Revision
July 27, 2022	Sathyaraj Sellapandi	New SPL
May 8, 2024	Vadzim Fedarenka	Replaced cable images (p. 12-13); added ref. 4 on p. 6; added AAA25400BT111 cable on p. 12; replaced ref. 1 on p.12; re-arranged parts on p.10

Related Drawings

Drawing No.	Title	Drawing No.	Title
AAA23852M	Combo Button Assembly	---	---

Related Documents

Document ID	Title
AAA23852M_TDS	Technical Data Sheet, Combo Button Assembly
SPL 32-AAA147ABB	Faceplate
SPL 31-AAA23500CH	Pushbutton, Luxury, MM-III
SPL 31-AAA23500AM	Pushbutton, Vandal Resistant, MM-III
SPL 31-AAA23851B	Jewel
SPL 31-AAA23851A	Key switch, Series 5
SPL 31-AAA340CV	Key switch/Jewel Collar
SPL 31-AAA102VB	Plate, Instructions

Subject Matter Expert

Name	Department
Vadzim Fedarenka	OSC Service Engineering

About Spare Parts Leaflets...

This document lists the lowest replaceable units (LRUs) for the standard version of the product. The LRUs are chosen by a team of Otis associates representing engineering and manufacturing.

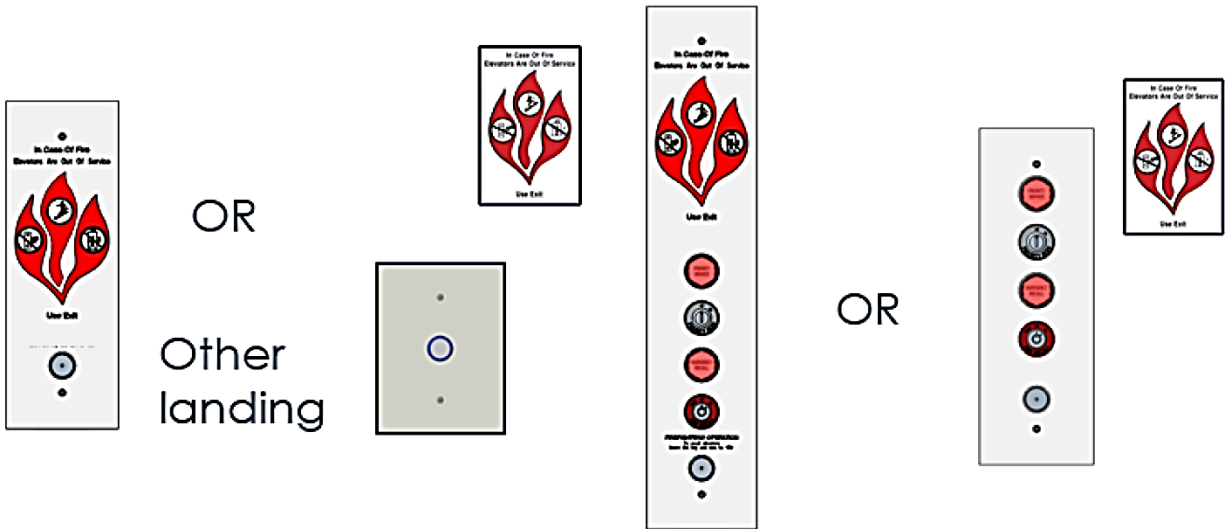
While goal of this document is to make parts identification as easy as possible, the document cannot be all-inclusive. Elevator and escalator contracts classified as "special" or "custom" are not addressed here. For such contracts, please refer to specified information, the contract folder, TIPS, Field Education Articles, Construction Letters, etc. for further information.

If you have any suggestions about this document, please contact the subject matter expert listed on this page.

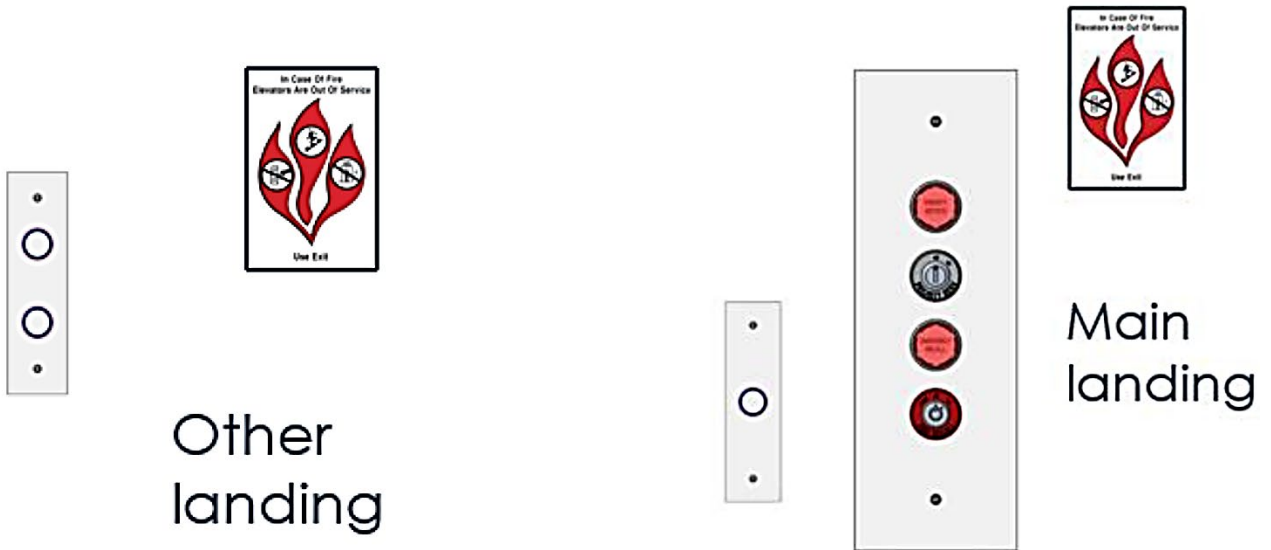
Combo Fixture Option 1

32-AAA23852M

Luxwall



Luxine (only sticker option)

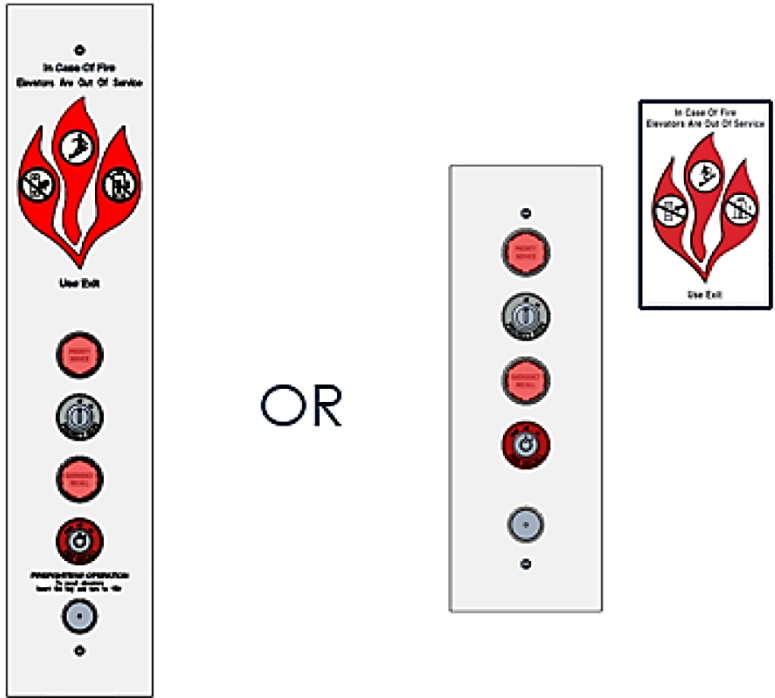


(Continued on next page)

Combo Fixture Option 2

32-AAA23852M

Luxwall



Luxine (separate fixture only for flame)

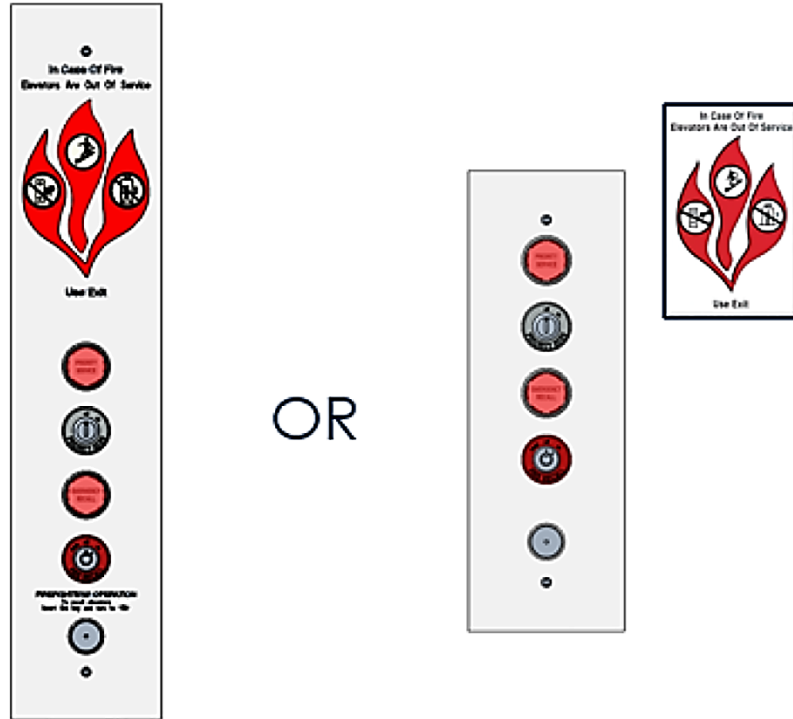


(Continued on next page)

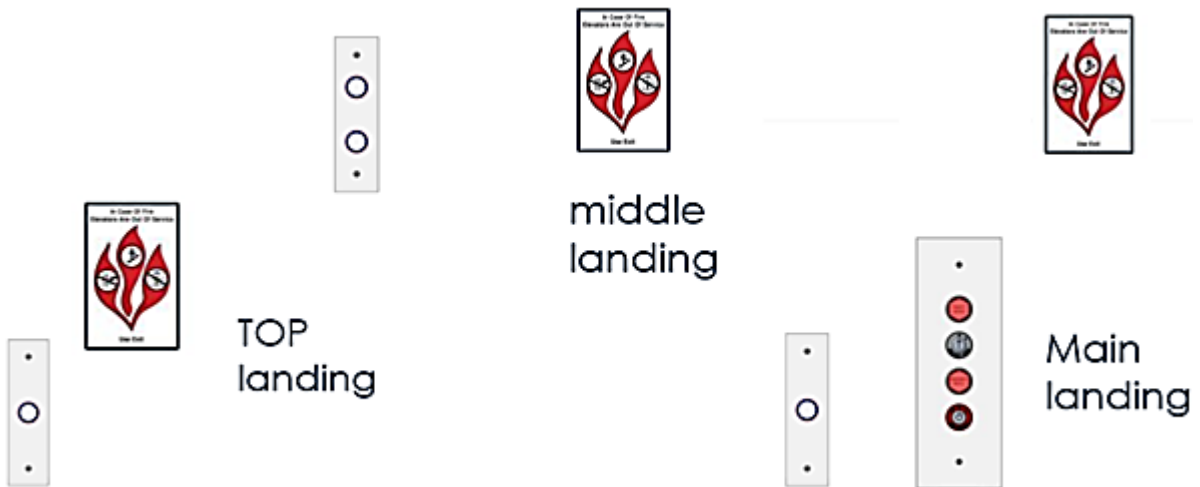
Combo Fixture Option 3

32-AAA23852M

Luxwall

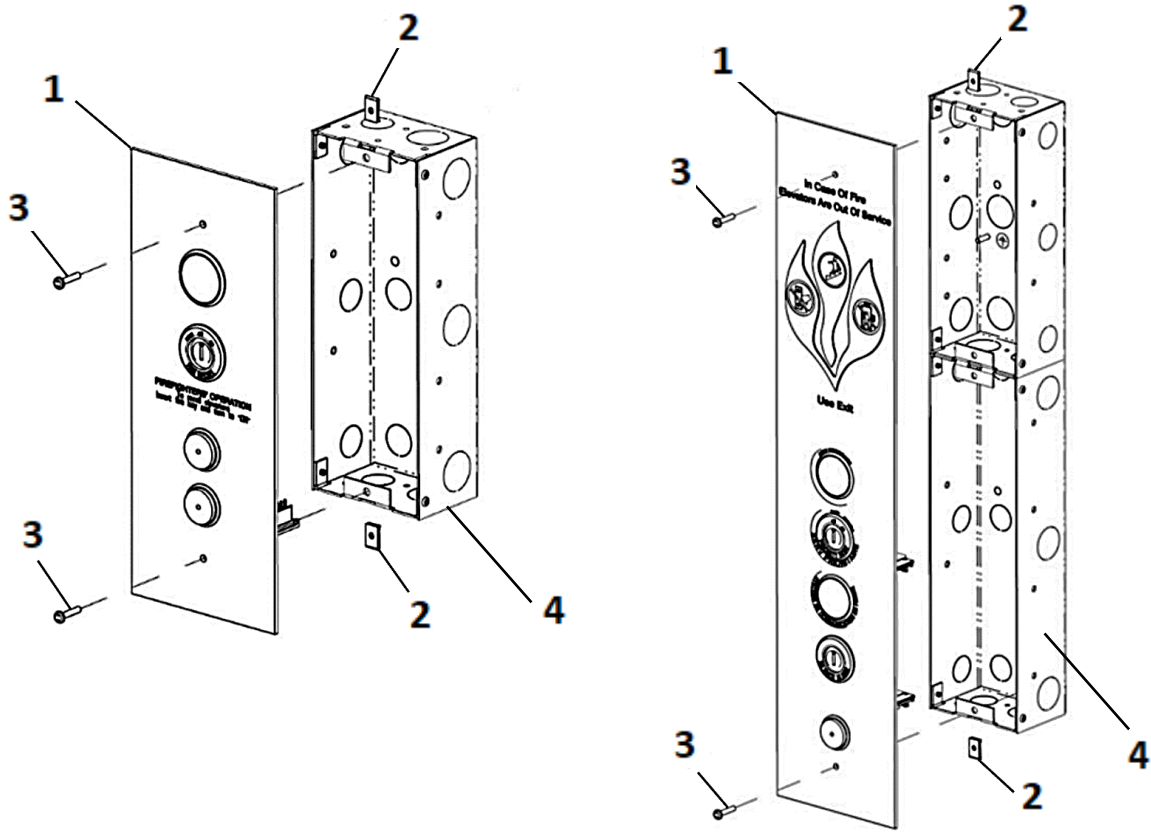


Luxine (flame insert and sticker mixed based on keyswitch/jewel)



Faceplate and Box

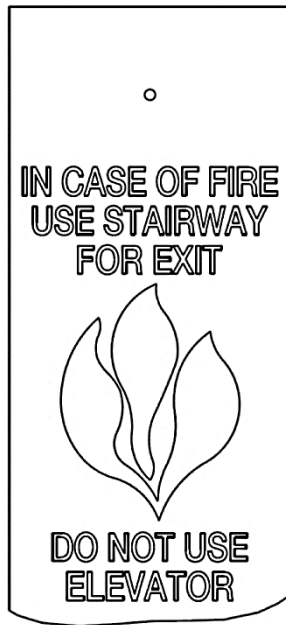
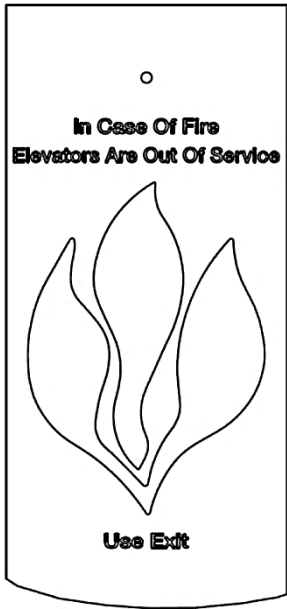
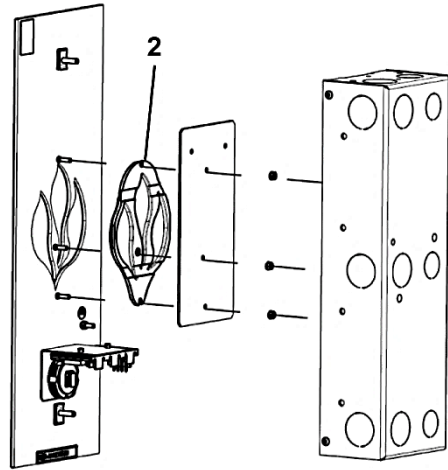
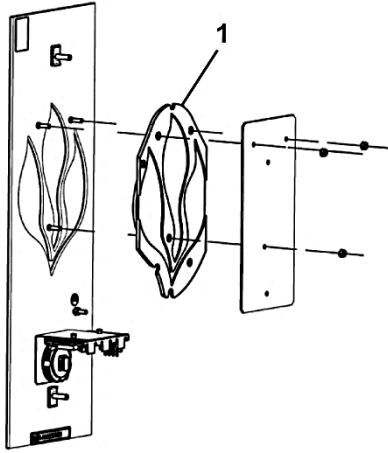
32-AAA23852M



REF. No.	PART No.	DESCRIPTION
	AAA23852M	
1	---	Faceplate. Type AAA147ABB, See SPL 32-AAA147ABB
2	72BX7	Nut, Speed, #8 (applicable with M4 Screw)
3	AAA124HE5	Screw, Tamper Resistant Pan Head, M4, Stainless Steel Finish
4	AAA309EC1	Box, Electric, 142 x 94.25 x 63.5 mm
	AAA309EC5	Box, Electric, 205 x 94.25 x 63.5 mm
	AAA309EC6	Box, Electric, 227 x 94.25 x 63.5 mm
	AAA309EC7	Box, Electric, 259 x 94.25 x 63.5 mm
	AAA309EC8	Box, Electric, 313 x 94.25 x 63.5 mm
	AAA309EC9	Box, Electric, 367 x 94.25 x 63.5 mm
	AAA309EC10	Box, Electric, 378 x 94.25 x 63.5 mm
	AAA309EC11	Box, Electric, 421 x 94.25 x 63.5 mm
	AAA309EC12	Box, Electric, 475 x 94.25 x 63.5 mm
	AAA309EC13	Box, Electric, 526 x 94.25 x 63.5 mm
	AAA309EC14	Box, Electric, 742 x 94.25 x 63.5 mm

Flame Inserts

32-AAA23852M



STATE= ALL
(EXCEPT FL, CA AND HOU)

STATE= FL

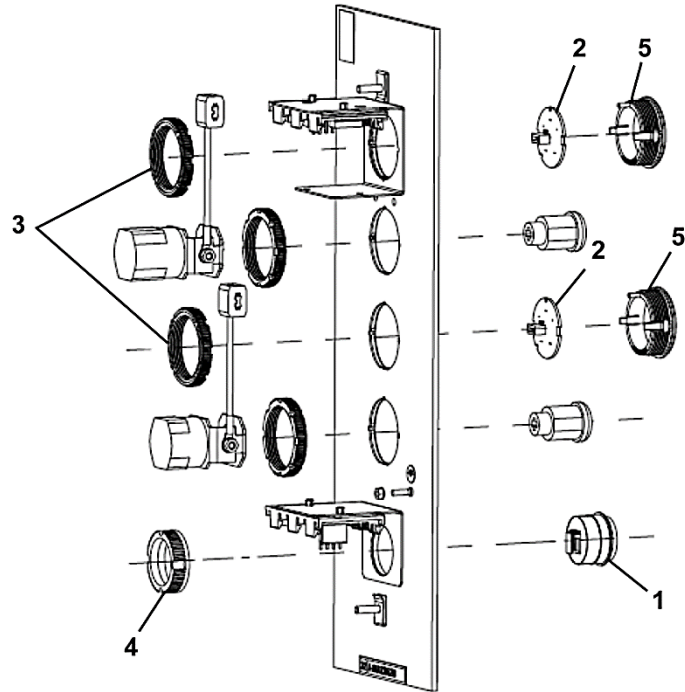
STATE= CA

STATE= HOU

AAA23852M		
REF. No.	PART No.	DESCRIPTION
1	AAA251EL1	Insert, Flame, Except CA and HOU (insert height 150 mm)
2	AAA251EL2	Insert, Flame, for CA and HOU (insert height 100 mm)

Button and Jewel

32-AAA23852M

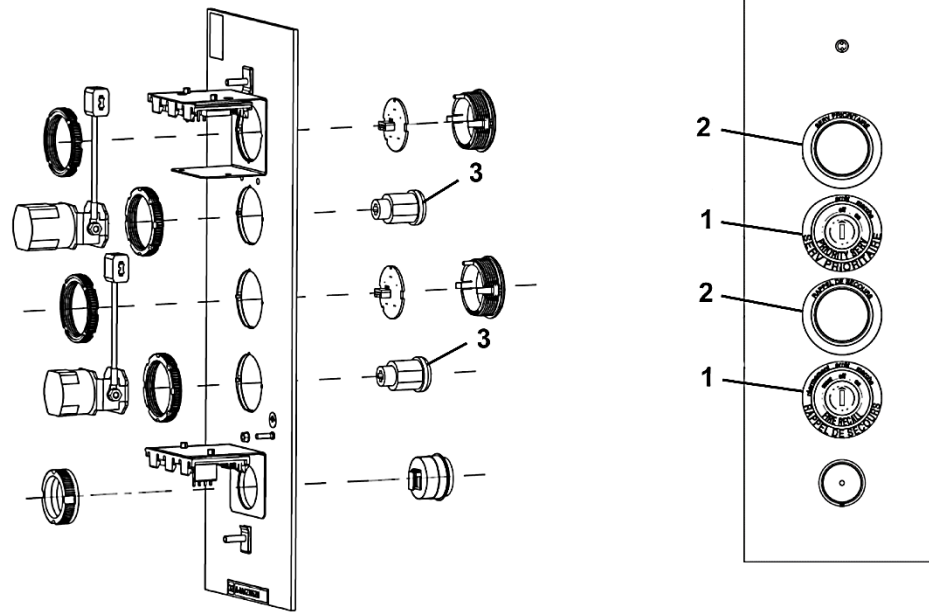


AAA23852M		
REF. No.	PART No.	DESCRIPTION
1	AAA23500CH_	Assembly, Button, Standard Hall, Type AAA23500CH. See SPL 31-AAA23500CH
	AAA23500AM_	Assembly, Button, Vandal Resistant Hall, Type AAA23500AM. See SPL 31-AAA23500AM
2	AAA26800AJS4	Assembly, PC Board, Jewel w/ Red LED
	AAA26800AJS6	Assembly, PC Board, Jewel w/ Blue LED
3	AAA72JZ1	Nut, Jewel
4	FAA72N1	Nut, Button
5	AAA23851B23	Jewel, Elevator Emergency Power, English
	AAA23851B33	Jewel, Elevator Emergency Power, French
	AAA23851B35	Jewel, Elevator Communication Failure, English
	AAA23851B36	Jewel, Elevator Communication Failure, French
	AAA23851B16	Jewel, Express Priority Service, English
	AAA23851B28	Jewel, Express Priority Service, French
	AAA23851B14	Jewel, Emergency Medical Service
	AAA23851B22	Jewel, Fire Recall, English
	AAA23851B32	Jewel, Fire Recall, French
*	---	Plate, Instruction, Type AAA102VB, See SPL 31-AAA102VB

*- Not shown

Keyswitches and Collars

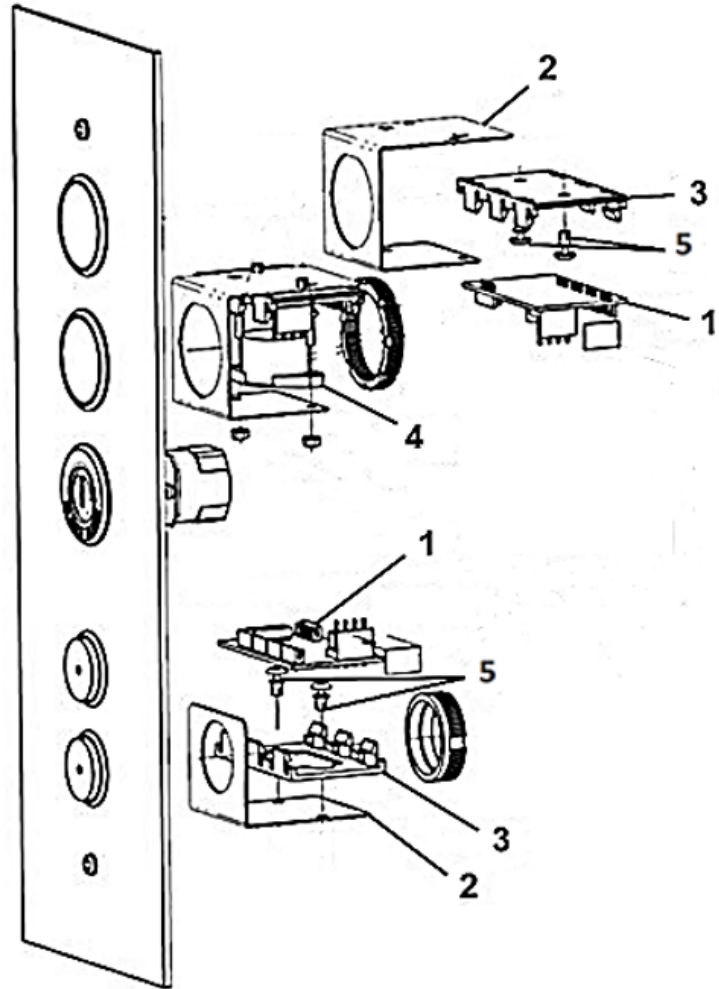
32-AAA23852M



AAA23852M		
REF. No.	PART No.	DESCRIPTION
1	---	Collar, Type AAA340CV, Elevator Emergency Power, Blank, English or French, See SPL 31-AAA340CV
	AAA340CV18	Collar, Hallway Cutout, French
	AAA340CV30	Collar, Express Priority Service, French
	AAA340CV36	Collar, Elevator Communication Failure, French
	---	Collar, Type AAA340CV, SES Phase I Fire Recall, French, See SPL 31-AAA340CV
2	AAA340CV8	Collar, Elevator Emergency Power, Jewel, French
	AAA340CV32	Collar, Elevator Communication Failure, Jewel, French
	AAA340CV4	Collar, Express Priority Service, Jewel, French
	AAA340CV7	Collar, SES Phase 1 Fire Recall, Jewel, French
3	AAA23851A69	Keyswitch, Hallway Cutout, English
	AAA23851A70	Keyswitch, Hallway Cutout, French
	AAA23851A304	Keyswitch, Elevator Communication Failure, English
	AAA23851A305	Keyswitch, Elevator Communication Failure, French
	AAA23851A59	Keyswitch, Express Priority, English
	AAA23851A60	Keyswitch, Express Priority, French
	AAA23851A56	Keyswitch, Emergency Medical, MA
	---	Keyswitch, SES Phase I, Type AAA23851A, See SPL 31-AAA23851A
---	Keyswitch, Emergency Power, Type AAA23851A, See SPL 31-AAA23851A	

Assembly Parts

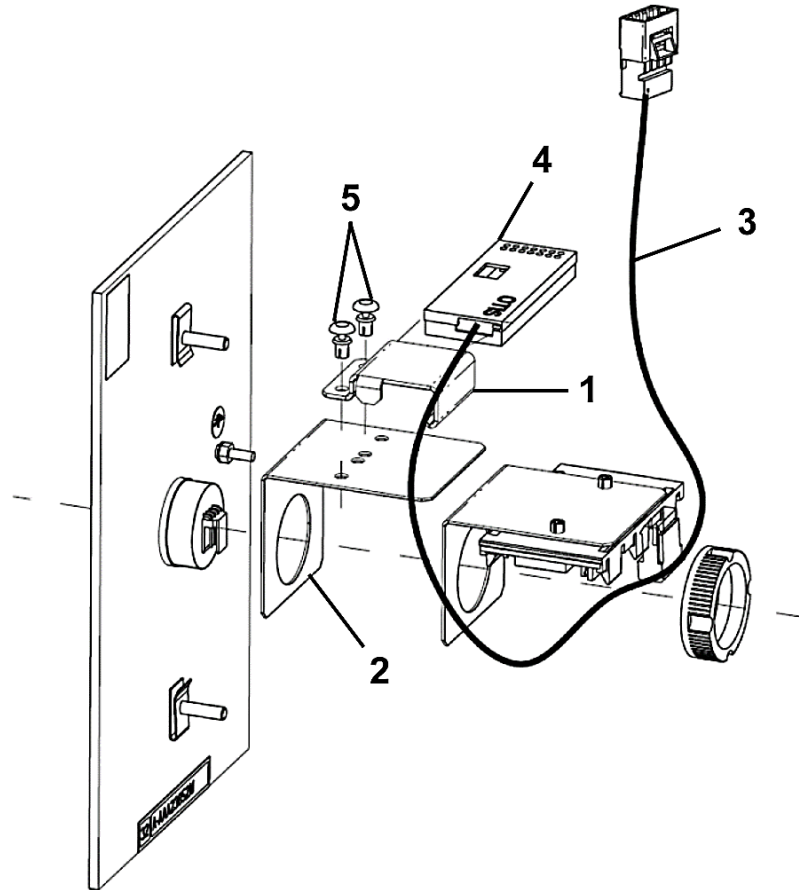
32-AAA23852M



AAA23852M		
REF. No.	PART No.	DESCRIPTION
1	DCA26800AL1	Assembly, PC Board, RS14 (RSL)
2	AAA316HZD4	Bracket, RS14 Mounting Jewel, Keyswitch
	AAA316HZD13	Bracket, RS14 Mounting, Call Button
3	FBA316SL2	Bracket, RS14 Holder
4	6219F2	Buzzer, Elevator Communication Failure
5	AAA141AN1	Rivet, Snap, RS14/CF14 Bracket and Holder

E-Call Module

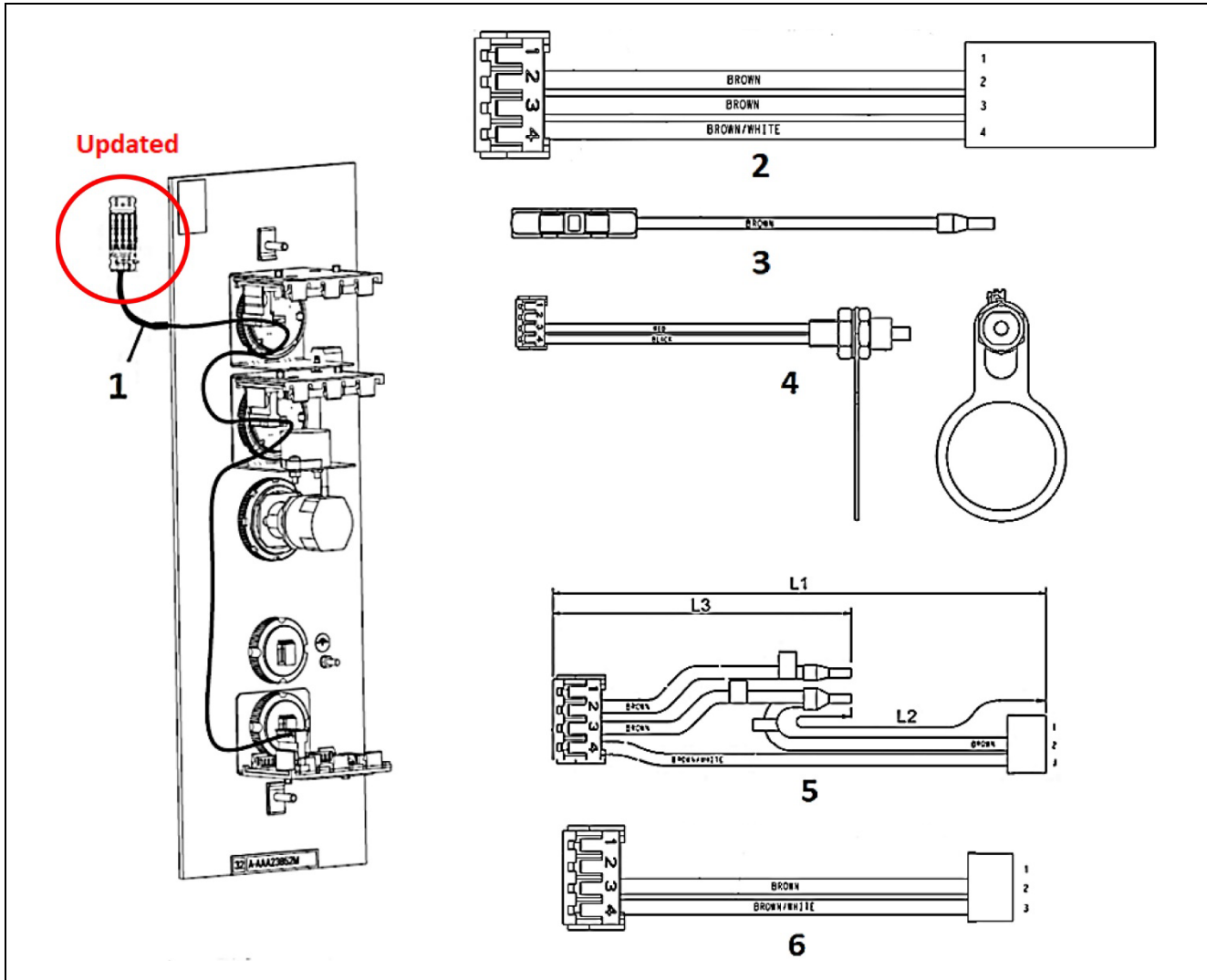
32-AAA23852M



AAA23852M		
REF. No.	PART No.	DESCRIPTION
1	AAA316LCF1	Bracket, Holding, e-Call
2	AAA316HZD11	Bracket, RS14 Mounting, Call Button e-Call
3	AAA174CEH2	Cable, Electrical, e-Call RSL
4	HAA639G102	Module, e-Call BLE
5	AAA141AN1	Rivet, Snap

Cables

32-AAA23852M

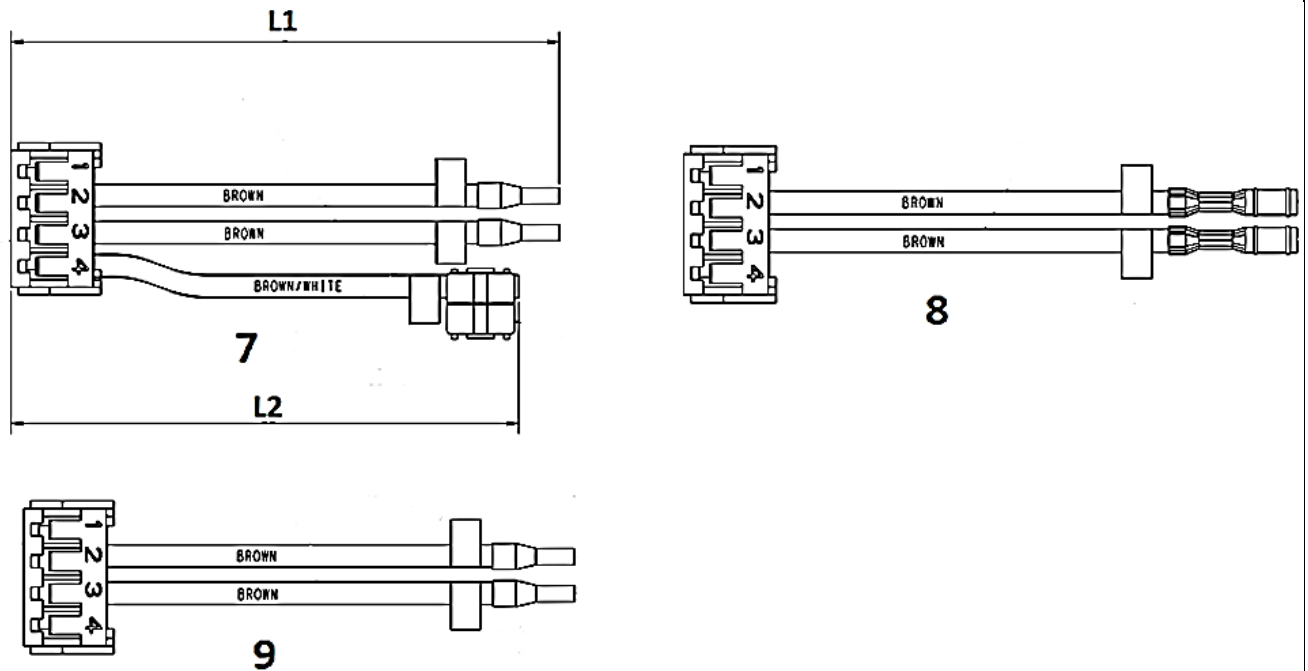


AAA23852M		
REF. No.	PART No.	DESCRIPTION
1	AAA25400BT81 AAA25400BT110	Harness, Daisy Chain Cable, Electrical, Daisy Chain For Hall Fixture, 600 mm Long
2	AAA25400BT30	Cable, Call Button, 175 mm Long
3	AAA25400BT111	Cable, Electrical, SES Phase 1 Fire Recall Keyswitch, 150 mm Long
4	AAA25400BT79	Cable, Electrical, Emergency Power Select (EPOSEL) LED-RSL, 152 mm Long
5	AAA25400BT26	Cable, Electrical, Express Priority Jewel / Keyswitch. L1=75; L2=100; L3=150
	AAA25400BT27	Cable, Electrical, Express Priority Jewel / Keyswitch, L1=175; L2=175; L3=100
6	AAA25400BT21	Cable, Electrical, ECFF /SIMPWR / STBY/EMT Jewel, 125 mm Long
	AAA25400BT105	Cable, Electrical, SES Phase 1 Jewel, 240 mm Long

Continued on Next Page...

Cables

32-AAA23852M



AAA23852M		
REF. No.	PART No.	DESCRIPTION
7	AAA25400BT28	Cable, Electrical, Elevator Communication Failure Keyswitch / Buzzer, L1=150 mm; L2=50 mm
8	AAA25400BT34	Cable, Electrical, Emergency Medical Keyswitch, 150 mm Long
9	AAA25400BT82	Cable, Electrical, Hall Cutout Keyswitch, 340 mm Long