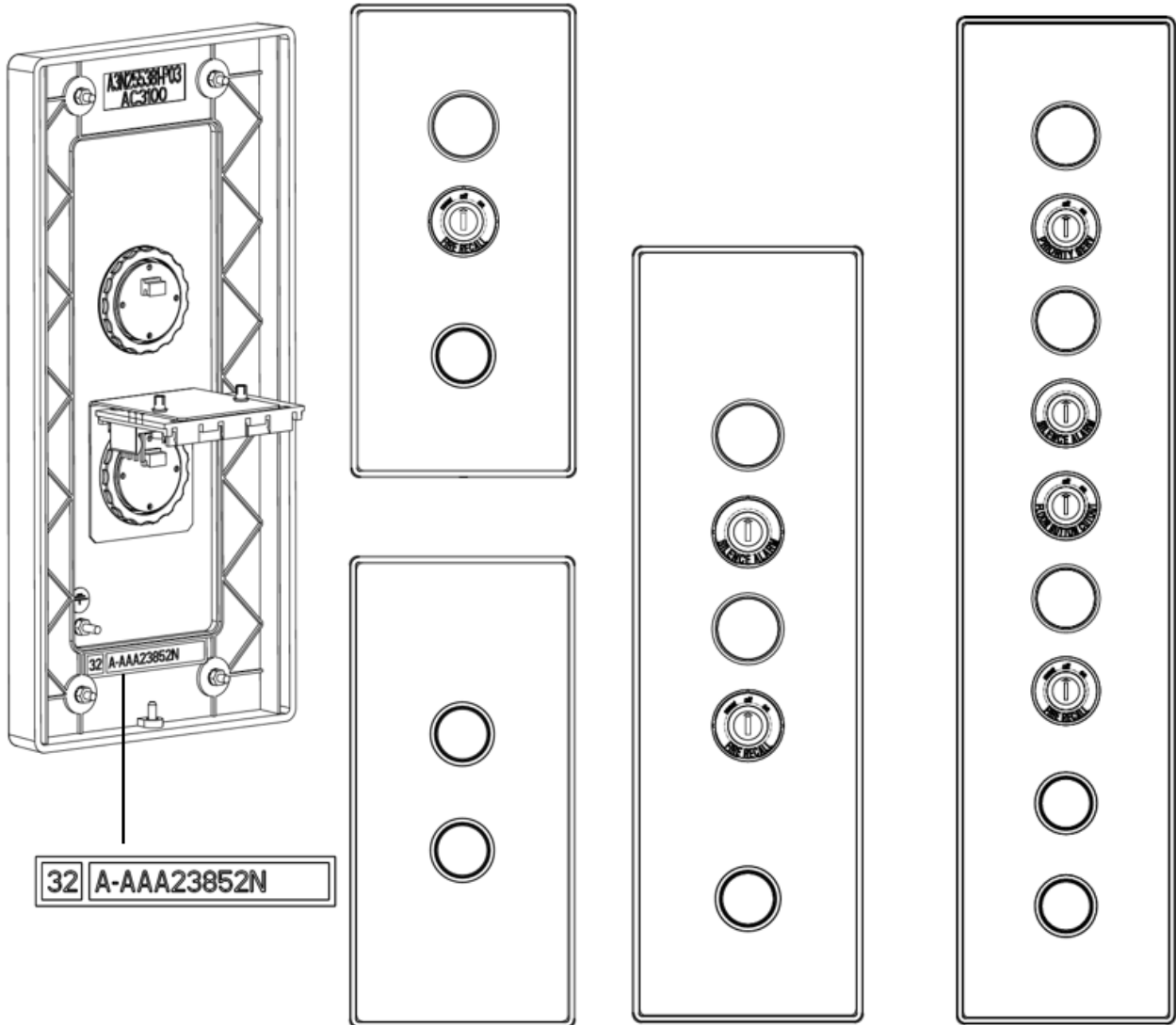


**Gen3® Core Combo  
Button Fixture Jewel  
and/or Keyswitch**

**Spare Parts Leaflet**

**32-AAA23852N**

June 7, 2023 / Page 1 of 8



**OTIS**

This document does not contain any technical data subject to EAR or ITAR

**SERVICE ENGINEERING**

**Otis Elevator Company**

**Bloomfield, Connecticut USA**

Unpublished Work—© Otis Elevator Co.; 2023

**Leaflet Description**

G3C Combo Button fixture is a combination of various keyswitches, jewels and call buttons. Each fixture may or may not have all these parts. The width of the fixture is the same for all combinations and the height will vary depending on the number of buttons and keyswitch/jewel. These fixtures are mounted only on the wall (not Jamb) and used in G3C products.

**Leaflet Revisions**

<b>Date Revised</b>	<b>Subject Matter Expert</b>	<b>Reason for Revision</b>
March 1, 2023	Sathyaraj Sellapandi and Vadzim Fedarenka	New SPL
June 7, 2023	Vadzim Fedarenka	Added p/n AAA72MV1 to p. 5

**Related Drawings**

<b>Drawing No.</b>	<b>Title</b>	<b>Drawing No.</b>	<b>Title</b>
AAA23852N	Combo Button Assembly	---	---

**Related Documents**

<b>Document ID</b>	<b>Title</b>
AAA23852N_TDS	Technical Data Sheet, Combo Button Assembly
SPL 32-AAA147ABL	Faceplate
SPL 32-AAA147TJ	Faceplate
SPL 31-AAA23500CH	Pushbutton, Luxury, MM-III
SPL 31-AAA23500AM	Pushbutton, Vandal Resistant, MM-III
SPL 31-AAA323EE	Pushbutton, BST
SPL 31-AAA23851B	Jewel
SPL 31-AAA23851A	Key switch, Series 5
SPL 31-AAA340CV	Key switch/Jewel Collar
SPL 31-AAA25400BT	Cable
SPL 31-AAA323DZ	Pushbutton, Vandal Resistant, MM-III

**Subject Matter Expert**

<b>Name</b>	<b>Department</b>
Vadzim Fedarenka	OSC Service Engineering

**About Spare Parts Leaflets...**

This document lists the lowest replaceable units (LRUs) for the standard version of the product. The LRUs are chosen by a team of Otis associates representing engineering and manufacturing.

While goal of this document is to make parts identification as easy as possible, the document cannot be all-inclusive. Elevator and escalator contracts classified as "special" or "custom" are not addressed here. For such contracts, please refer to specified information, the contract folder, TIPs, Field Education Articles, Construction Letters, etc. for further information.

If you have any suggestions about this document, please contact the subject matter expert listed on this page.

## Terminal Landing

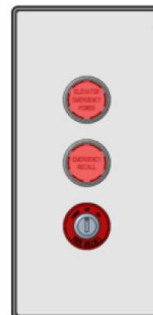
### Cornwall



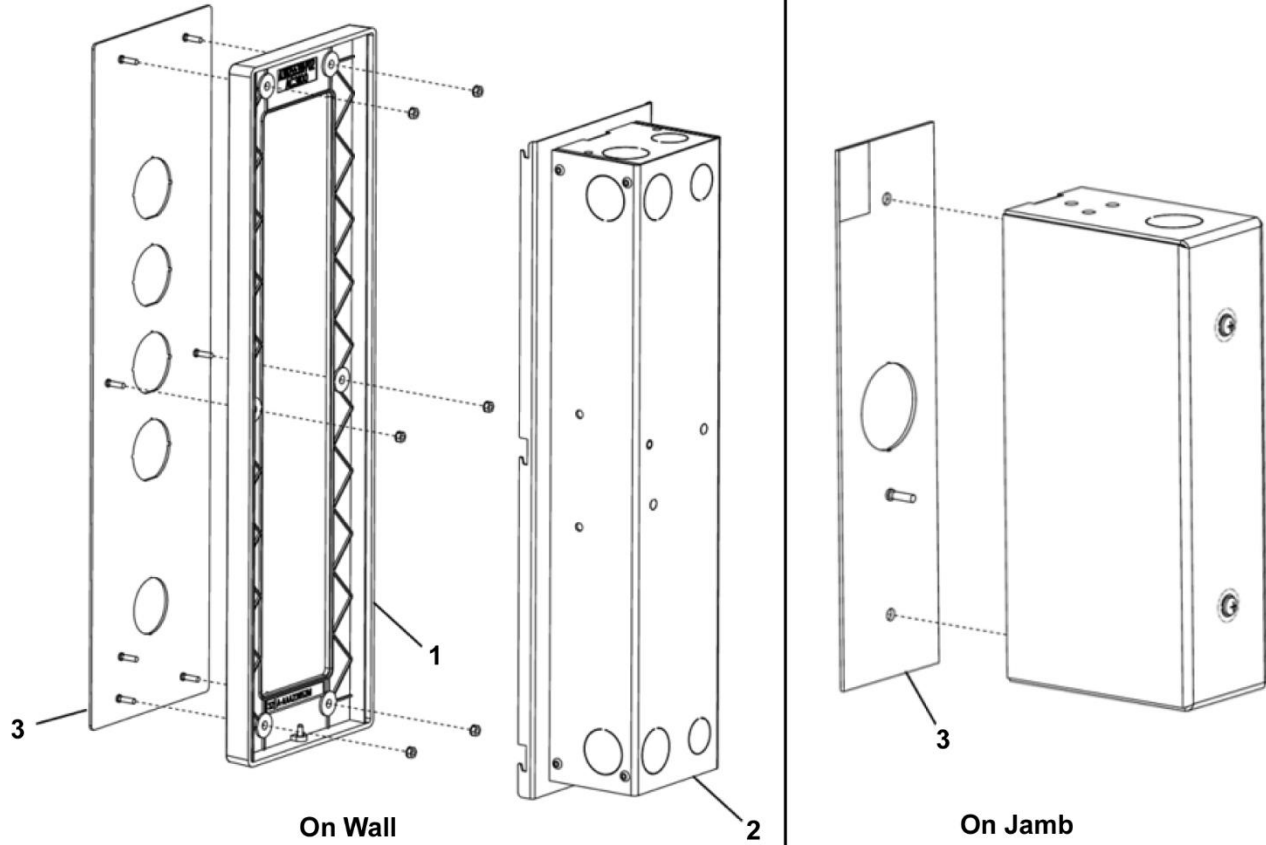
### Corine




## Intermediate Landing



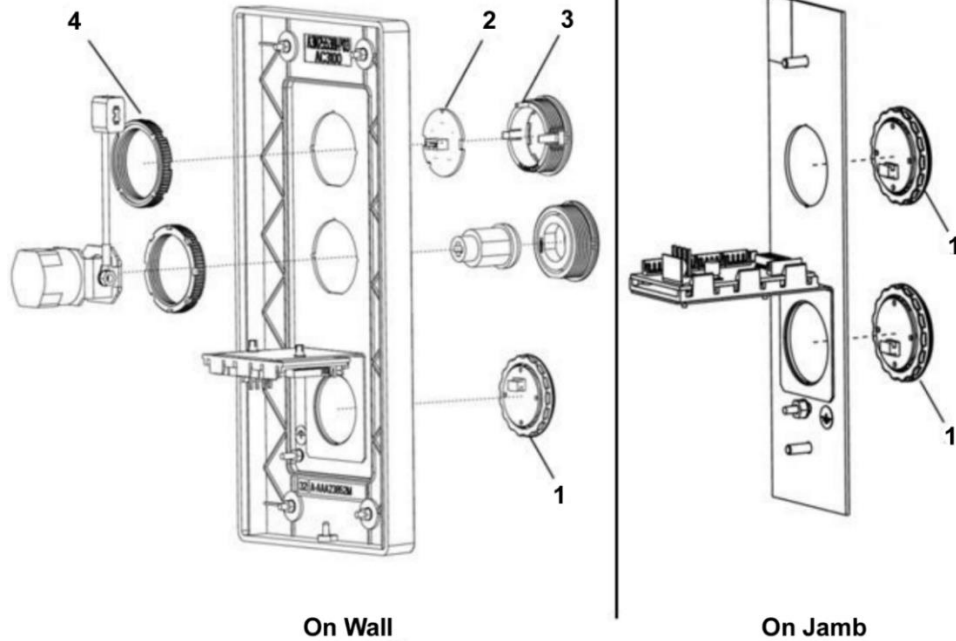
*(Continued on next page)*



<b>AAA23852N</b>		
<b>REF. No.</b>	<b>PART No.</b>	<b>DESCRIPTION</b>
1	AAA374AFR1	Assembly, Bezel, 268 x 127 x 16.6
	AAA374AFR2	Assembly, Bezel, 433 X 127 X 16.6
	AAA374AFR3	Assembly, Bezel, 588 X 127 X 16.6
2	AAA309FS1	Assembly, Box, 225.7 X 86.4 X 63.5
	AAA309FS2	Assembly, Box, 390.7 X 86.4 X 63.5
	AAA309FS3	Assembly, Box, 545.7 X 86.4 X 63.5
3	--	Faceplate, Type AAA147ABL, AAA147TJ  SPL 32-AAA147ABL, 32-AAA147TJ

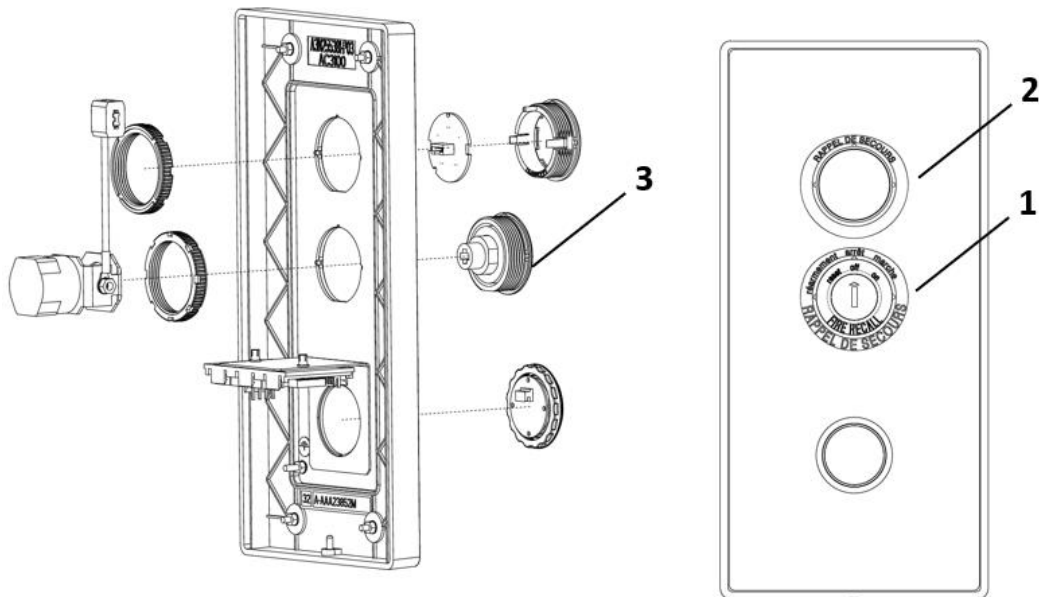
# Button and Jewel

**32-AAA23852N**



AAA23852N		
REF. No.	PART No.	DESCRIPTION
1	AAA23500CH_	Assembly, Button, Standard Hall, Type AAA23500CH, Ø 27.5 mm 👁 SPL 32-AAA23500CH
	AAA23500AM_	Assembly, Button, Vandal Resistant Hall, Type AAA23500AM, Ø 27.5 mm 👁 SPL 32-AAA23500AM
	AAA323EE4	Assembly, Button, BST Hall, Type AAA323EE. 👁 SPL 32- AAA323EE, Ø 34.3 mm
2	AAA26800AJS4	Assembly, PC Board, Jewel w/ Red LED
	AAA26800AJS6	Assembly, PC Board, Jewel w/ Blue LED
3	AAA23851B23	Jewel, Elevator Emergency Power, English
	AAA23851B33	Jewel, Elevator Emergency Power, French
	AAA23851B35	Jewel, Elevator Communication Failure, English
	AAA23851B36	Jewel, Elevator Communication Failure, French
	AAA23851B16	Jewel, Express Priority Service, English
	AAA23851B28	Jewel, Express Priority Service, French
	AAA23851B14	Jewel, Emergency Medical Service
	AAA23851B22	Jewel, Fire Recall, English
	AAA23851B32	Jewel, Fire Recall, French
4	AAA72JZ1	Nut
*	FAA72N1	Nut, only for AAA23500CH and AAA23500AM Buttons
*	AAA72MV1	Nut, only for AAA323EE Buttons
*	---	Plate, Data, Type AAA102VB, 👁 SPL 31-AAA102VB

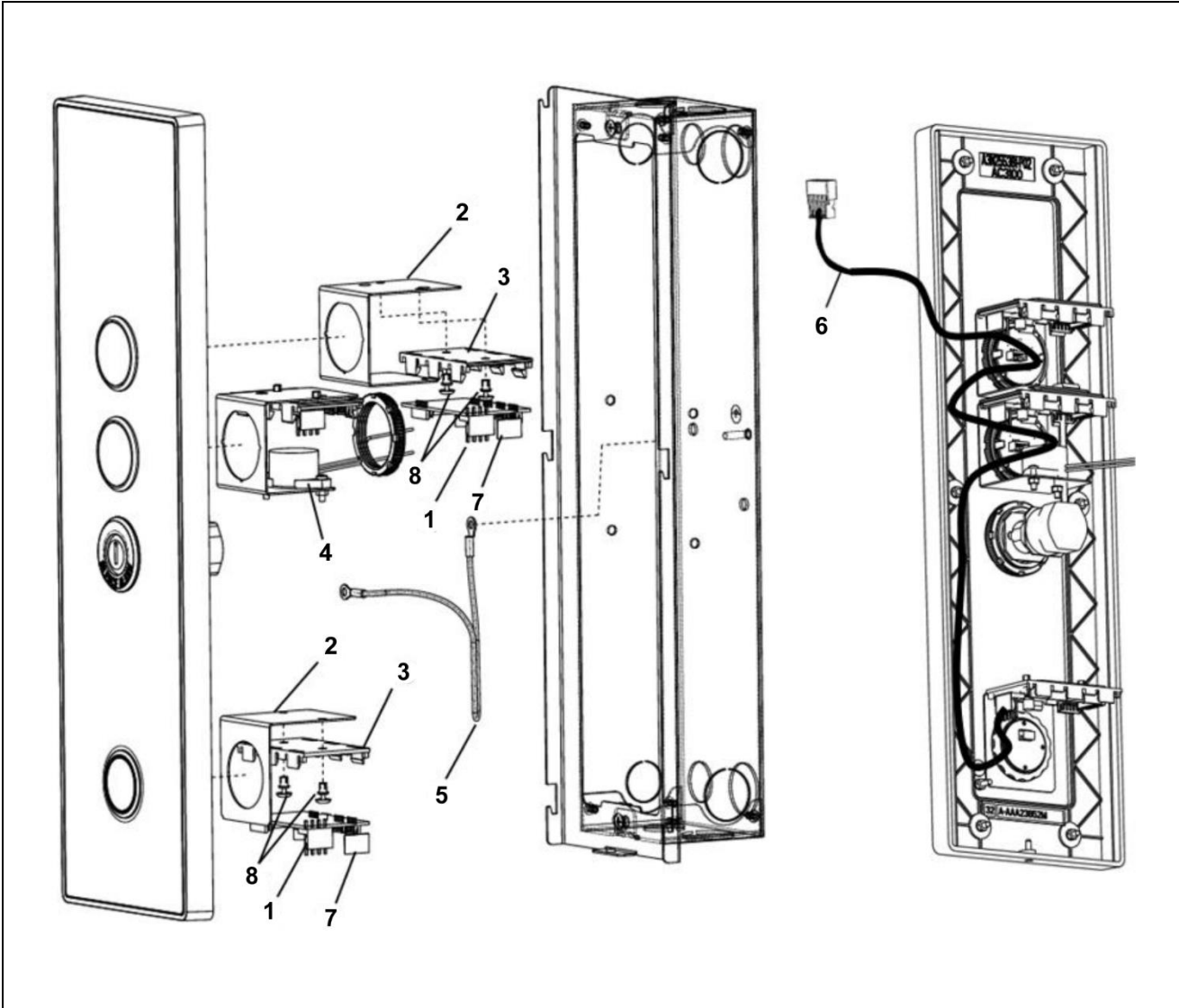
\* Part not shown.



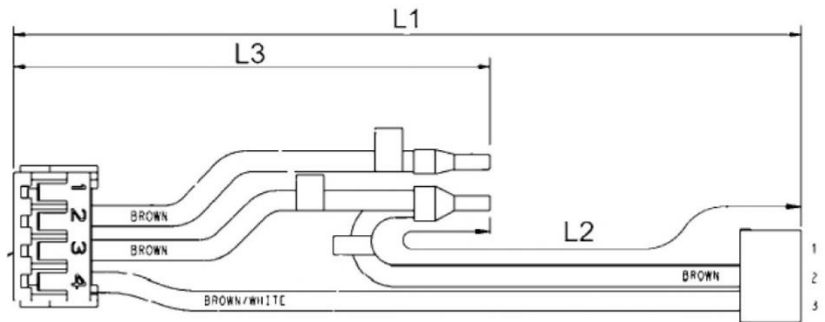
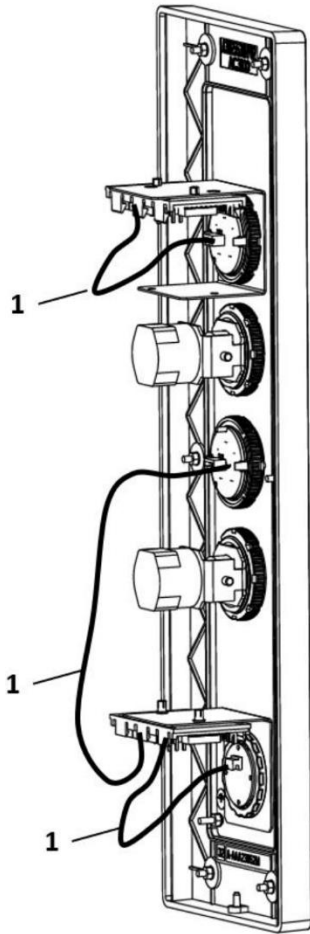
REF. No.	AAA23852N PART No.	DESCRIPTION
1	---	Collar, Type AAA340CV, Elevator Emergency Power, Blank, English or French,  SPL 31-AAA340CV
	AAA340CV18	Collar, Hallway Cutout, French
	AAA340CV30	Collar, Express Priority Service, French
	AAA340CV36	Collar, Elevator Communication Failure, French
	---	Collar, Type AAA340CV, SES Phase I Fire Recall, French,  SPL 31-AAA340CV
2	AAA340CV8	Collar, Elevator Emergency Power, Jewel, French
	AAA340CV32	Collar, Elevator Communication Failure, Jewel, French
	AAA340CV4	Collar, Express Priority Service, Jewel, French
	AAA340CV7	Collar, SES Phase 1 Fire Recall, Jewel, French
3	AAA23851A69	Keyswitch, Hallway Cutout, English
	AAA23851A70	Keyswitch, Hallway Cutout, French
	AAA23851A304	Keyswitch, Elevator Communication Failure, English
	AAA23851A305	Keyswitch, Elevator Communication Failure, French
	AAA23851A59	Keyswitch, Express Priority, English
	AAA23851A60	Keyswitch, Express Priority, French
	AAA23851A56	Keyswitch, Emergency Medical, MA
	---	Keyswitch, SES Phase I, Type AAA23851A,  SPL 31-AAA23851A
---	Keyswitch, Emergency Power, Type AAA23851A,  SPL 31-AAA23851A	

# RSL Harness

**32-AAA23852N**



<b>AAA23852N</b>		
<b>REF. No.</b>	<b>PART No.</b>	<b>DESCRIPTION</b>
1	DCA26800AL1	Assembly, PC Board, RS14 (RSL)
2	AAA316HZD4	Bracket, RS14 Mounting Jewel, Keyswitch
	AAA316HZD14	Bracket, RS14 Mounting, Call Button
3	FBA316SL2	Bracket, RS14 Holder
4	6219F2	Buzzer, Elevator Communication Failure
5	AAA175ABY16	Conductor, Faceplate Ground Wire
6	AAA25400BT81	Harness, Daisy Chain
7	A102NK1	Label Green, Yellow
8	AAA141AN1	Rivet, Snap, RS14/CF14 Bracket and Holder



AAA25400BT26 & 27

<b>AAA23852N</b>		
<b>REF. No.</b>	<b>PART No.</b>	<b>DESCRIPTION</b>
1	AAA25400GS4	Cable, Projected Call Button
	AAA25400GS3	Cable, BST Call Button
	AAA25400BT105	Cable, Electrical, SES
	AAA25400BT21	Cable, Electrical, ECFF /SIMPWR / STBY/EMT Jewel
	AAA25400BT26	Cable, Electrical, Express Priority Jewel / Keyswitch. L1=75; L2=100; L3=150
	AAA25400BT27	Cable, Electrical, Express Priority Jewel / Keyswitch, L1=175; L2=175; L3=100
	AAA25400BT28	Cable, Electrical, Elevator Communication Failure Keyswitch / Buzzer
	AAA25400BT82	Cable, Electrical, Hall Cutout Keyswitch
	AAA25400BT34	Cable, Electrical, Emergency Medical Keyswitch
	AAA25400BT79	Cable Electrical, Emergency Power Select (EPOSEL) LED-RSL