

Pedestal Cover
(CompassPlus®)

Spare Parts Leaflet

32-AAA285ACT

June 14, 2017 / Page 1 of 3

W/O
VINTAGE



OTIS

This document does not contain any
technical data subject to EAR or ITAR

SERVICE ENGINEERING
Otis Elevator Company
Bloomfield, Connecticut USA

Unpublished Work—© Otis Elevator Co.; 2017

Leaflet Description

This SPL provides spare parts information for Compass® Plus pedestal covers. These covers are typically used in Modernization applications.

Leaflet Revisions

Date Revised	Subject Matter Expert	Reason for Revision
June 14, 2017	Joseph Zych	New SPL

Related Drawings

Drawing No.	Title	Drawing No.	Title
AAA285ACT	Cover, Pedestal CompassPlus	---	--

Related Documents

Document ID	Title
32-XAA23505D	NGH Passenger Interface, CompassPlus® Small Pedestal
32-XAA23505E	NGH Passenger Interface, CompassPlus® Large Pedestal

Subject Matter Expert

Name	Department
Joseph Zych	OSC Service Engineering

About Spare Parts Leaflets...

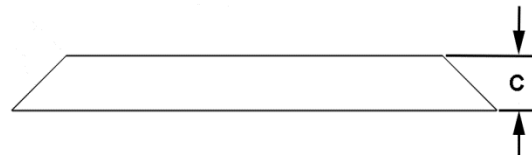
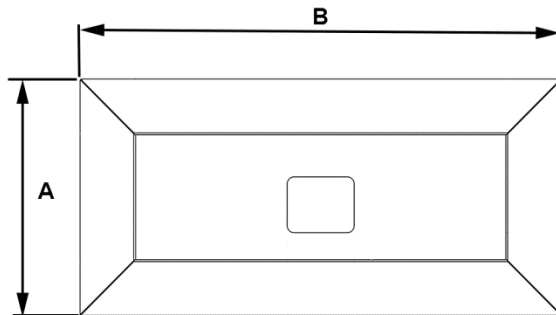
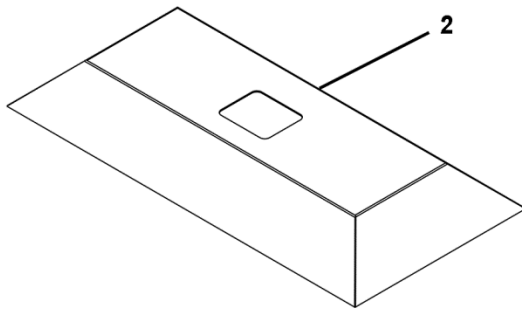
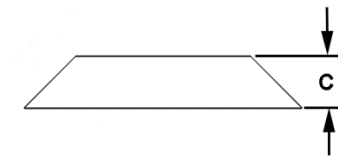
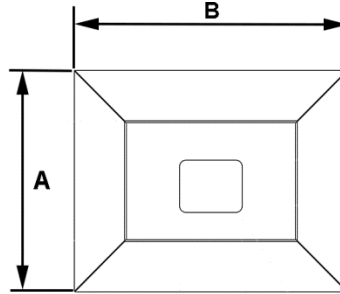
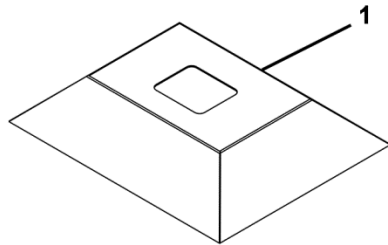
This document lists the lowest replaceable units (LRUs) for the standard version of the product. The LRUs are chosen by a team of Otis associates representing engineering and manufacturing.

While goal of this document is to make parts identification as easy as possible, the document cannot be all-inclusive. Elevator and escalator contracts classified as “special” or “custom” are not addressed here. For such contracts, please refer to specified information, the contract folder, TIPs, Field Education Articles, Construction Letters, etc. for further information.

If you have any suggestions about this document, please contact the subject matter expert listed on this page.

Pedestal Cover

32-AAA285ACT



W/O VINTAGE		REF. No.	PART No.	DESCRIPTION	Finish	A (mm)	B (mm)	C (mm)
1	AAA285ACT1	Cover, Pedestal	Silver, Metallic	213.6	263.7	49.3		
	AAA285ACT2	Cover, Pedestal	Black					
2	AAA285ACT3	Cover, Pedestal	Silver, Metallic	213.6	435.2	49.3		
	AAA285ACT4	Cover, Pedestal	Black					