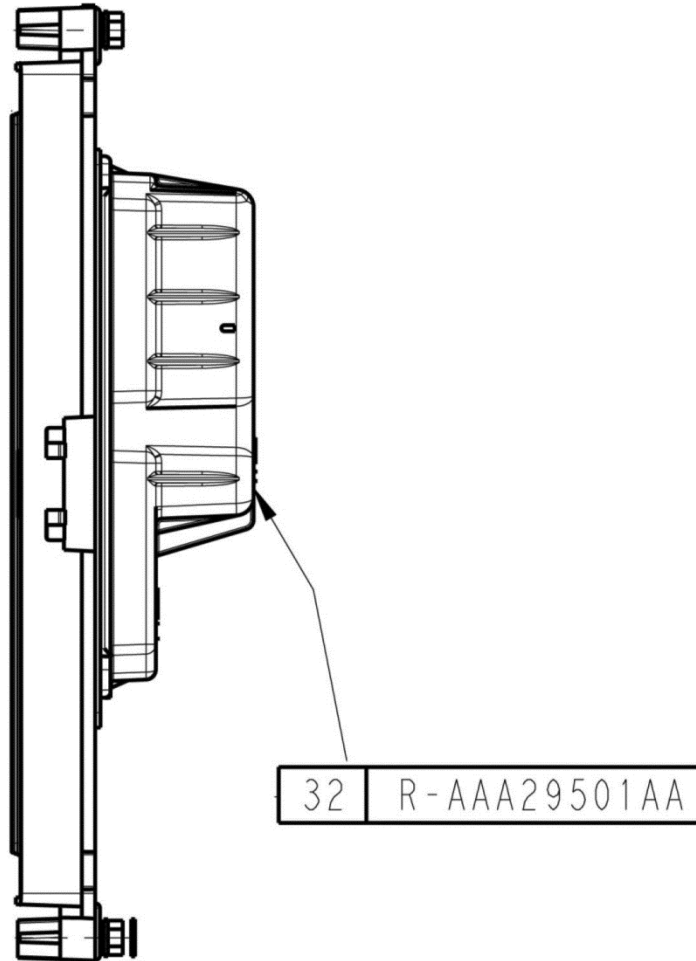


**NGH Passenger  
Interface, Compass<sup>®</sup>  
Modular Touch Screen**

**Spare Parts Leaflet**

**32-AAA29501AA**

**October 29, 2014 / Page 1 of 4**



**OTIS**

**SERVICE ENGINEERING  
Otis Elevator Company  
Bloomfield, Connecticut USA**

Unpublished Work—© Otis Elevator Co.; 2014

**Leaflet Description**

This leaflet summarizes the Compass® Destination Entry Computer (DEC) touch screen.

**Leaflet Revisions**

| <b>Date Revised</b> | <b>Subject Matter Expert</b> | <b>Reason for Revision</b>                                    |
|---------------------|------------------------------|---|
| September 17, 2014  | Bennie Murah                 | New Document  |
| October 29, 2014    | Joseph Zych                  | Corrected parts information for references 4 on pages 3 and 4 |

**Related Drawings**

| <b>Drawing No.</b> | <b>Title</b>                       | <b>Drawing No.</b> | <b>Title</b>                          |
|--------------------|------------------------------------|--------------------|---------------------------------------|
| AAA29501AA         | NGH Passenger Modular Touch Screen | AAA29000AG         | NGH Passenger Interface, System Level |
| AAA25300AK         | Compass Controller                 |                    |                                       |

**Related Documents**

| <b>Document ID</b> | <b>Title</b>              |
|--------------------|---------------------------|
| SPL 10-AAA25300AK  | <i>Compass Controller</i> |
|                    |                           |

**Subject Matter Expert**

| <b>Name</b> | <b>Department</b>       |
|-------------|-------------------------|
| Joseph Zych | OSC Service Engineering |

**About Spare Parts Leaflets...**

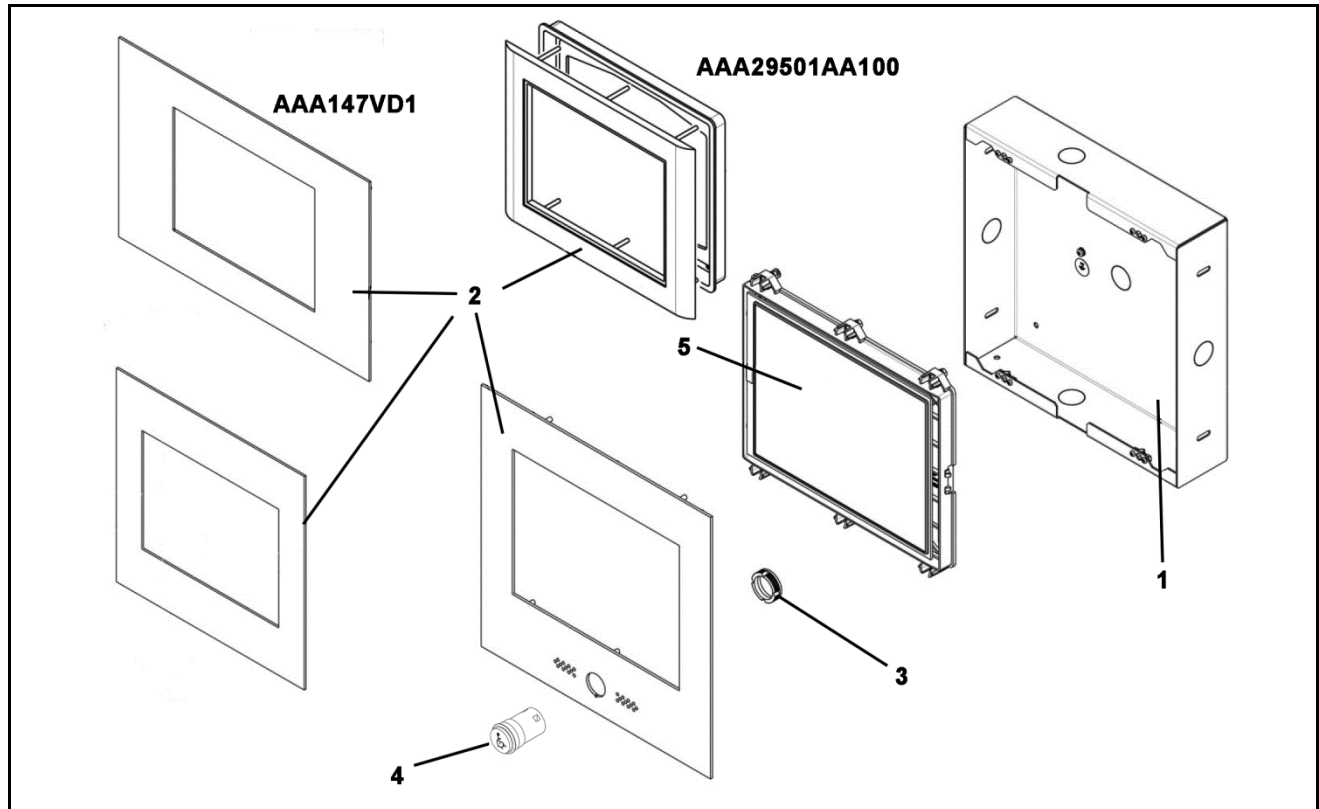
This document lists the lowest replaceable units (LRUs) for the standard version of the product. The LRUs are chosen by a team of Otis associates representing engineering and manufacturing.

While goal of this document is to make parts identification as easy as possible, the document cannot be all-inclusive. Elevator and escalator contracts classified as “special” or “custom” are not addressed here. For such contracts, please refer to specified information, the contract folder, TIPs, Field Education Articles, Construction Letters, etc. for further information.

If you have any suggestions about this document, please contact the subject matter expert listed on this page.

# Modular Touch Screen

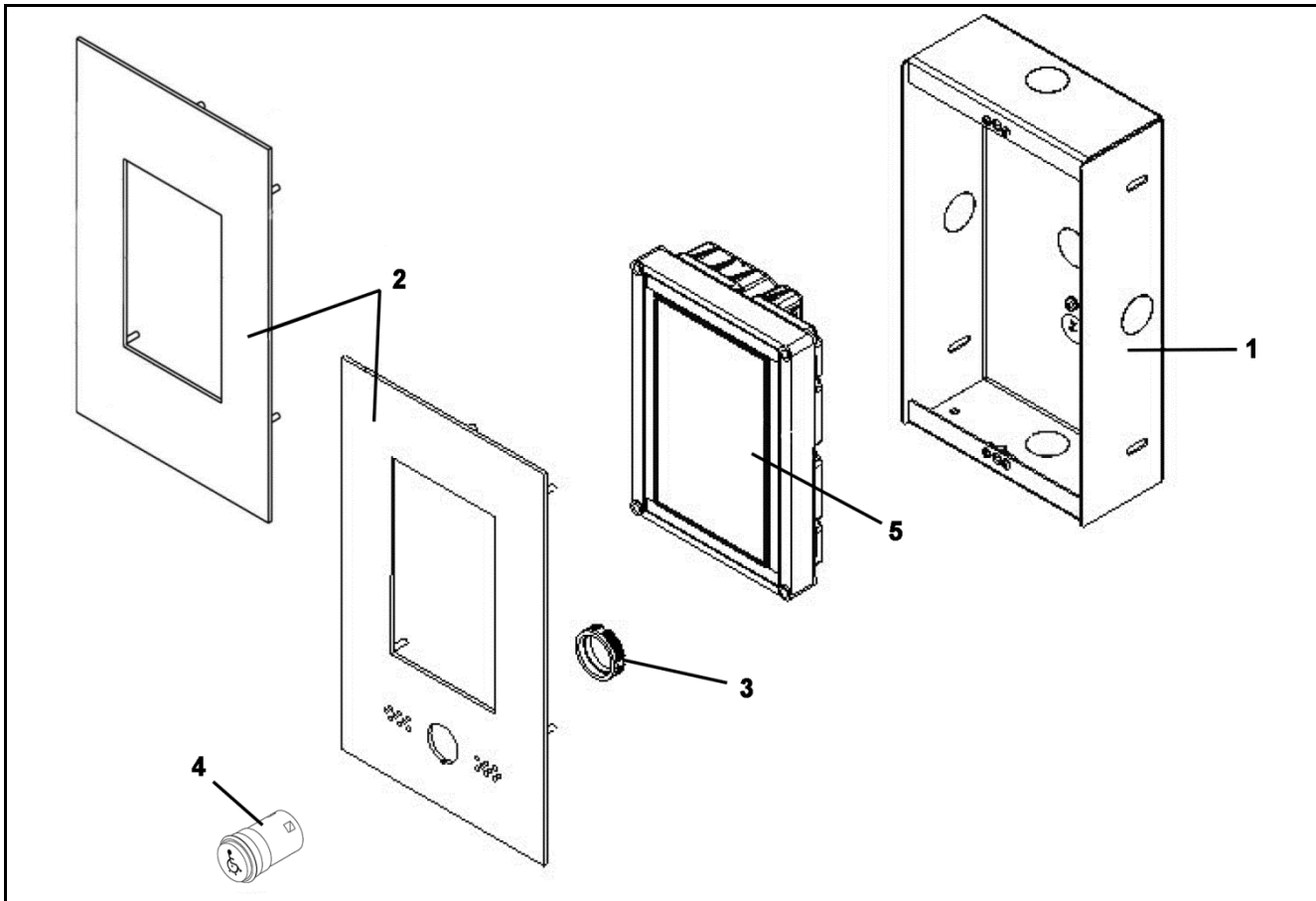
**32-AAA29501AA**



| AAA29501AA |               |   |
|------------|---------------|---|
| REF. No.   | PART No.      | DESCRIPTION   |
| 1          | AAA308ABR1    | Box, Wall (not used with AAA147VD1 faceplate)                                   |
| ---        | AAA174AJQ21   | Cable, from Pushbutton to Touch Screen (w/ AAA147VD3 faceplate only, not shown) |
| 2          | AAA147VD3-__  | Faceplate, w/ Handicap Button, See <b>NOTE 1</b>                                |
|            | AAA147VD5-__  | Faceplate, w/o Handicap Button, See <b>NOTE 1</b>                               |
|            | AAA147VD1-__  | Faceplate, Retrofit for 10.4 in. Touch Screen, See <b>NOTE 1</b>                |
|            | AAA29501AA100 | Plastic Bezel and Retainer  |
| 3          | FAA72N1       | Nut, Fixing (w/ AAA147VD3 faceplate only)                                       |
| 4          | AAA23500CQ1   | Pushbutton, Luxury, Micro-Motion III Handicap, SS4 Finish                       |
|            | AAA23500CQ2   | Pushbutton, Luxury, Micro-Motion III Handicap, SS8 Finish                       |
|            | AAA23500CQ3   | Pushbutton, Luxury, Micro-Motion III Handicap, BR7 Finish                       |
|            | AAA23500CQ4   | Pushbutton, Luxury, Micro-Motion III Handicap, BR8 Finish                       |
| 5          | AAA29501AA1   | Touch Screen, 12 in., w/ Thin Client Application, See <b>NOTE 2</b>             |
|            | AAA29501AA2   | Touch Screen, 12 in., w/ Clarity Application, See <b>NOTE 2</b>                 |

**NOTE 1:** For complete part number, specify the material finish code as follows: SS4 = Brushed Stainless Steel; SS8 = Mirror Stainless Steel; BR7 = Brushed Bronze; BR8 = Mirror Bronze.

**NOTE 2:** Clarity 2.9 supports the 10.4" .bff applications.  
Contact OSC to change touch screen from Clarity 2.9 to support Thin Client or the reverse.



| AAA29501AA |               |   |
|------------|---------------|---|
| REF. No.   | PART No.      | DESCRIPTION   |
| 1          | AAA308ABQ1    | Box, Wall   |
| ---        | AAA174AJQ21   | Cable, from Pushbutton to Touch Screen (w/ AAA147VE2 faceplate only, not shown) |
| 2          | AAA147VE2-___ | Faceplate, w/ Handicap Button, see <b>NOTE 1</b>                                |
|            | AAA147VE4-___ | Faceplate, w/o Handicap Button, see <b>NOTE 1</b>                               |
| 3          | FAA72N1       | Nut, Fixing (w/ AAA147VE2 faceplate only)                                       |
| 4          | AAA23500CQ1   | Pushbutton, Luxury, Micro-Motion III Handicap, SS4 Finish                       |
|            | AAA23500CQ2   | Pushbutton, Luxury, Micro-Motion III Handicap, SS8 Finish                       |
|            | AAA23500CQ3   | Pushbutton, Luxury, Micro-Motion III Handicap, BR7 Finish                       |
|            | AAA23500CQ4   | Pushbutton, Luxury, Micro-Motion III Handicap, BR8 Finish                       |
| 5          | AAA29501AA3   | Touch Screen, 7 in., w/ Thin Client Application, see <b>NOTE 2</b>              |
|            | AAA29501AA4   | Touch Screen, 7 in., w/ Clarity Application, see <b>NOTE 2</b>                  |

**NOTE 1:** For complete part number, specify the material finish code as follows: SS4 = Brushed Stainless Steel; SS8 = Mirror Stainless Steel; BR7 = Brushed Bronze; BR8 = Mirror Bronze.

**NOTE 2:** Contact OSC about Clarity 2.9 application for the 7 in. touch screen.  
Contact OSC to change touch screen from Clarity 2.9 to support Thin Client or the reverse.