

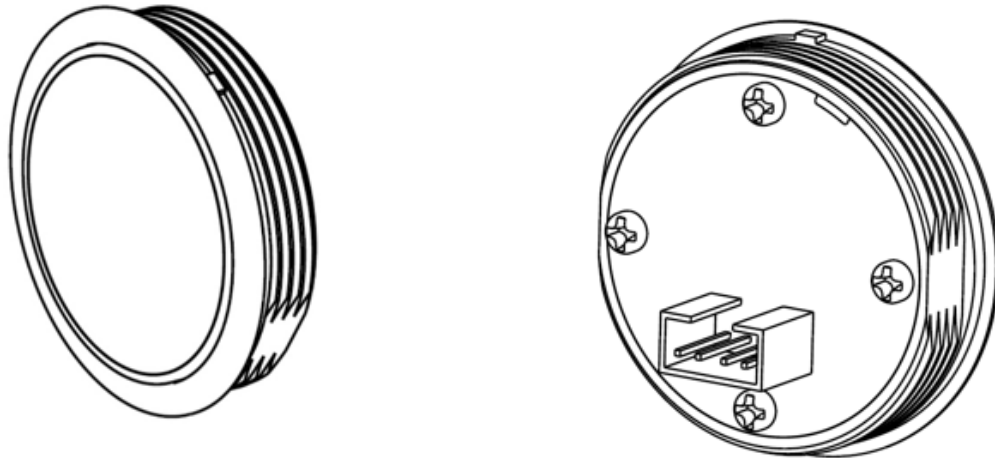
# Pushbutton

## Spare Parts Leaflet

**32-AAA323EE**

January 17, 2024 / Page 1 of 3

W/O VINTAGE



Note: Locking nut is not included with button. Order separately using P/N AAA72MV1

# OTIS

This document does not contain any technical data subject to EAR or ITAR

**SERVICE ENGINEERING**  
**Otis Elevator Company**  
**Bloomfield, Connecticut USA**

Unpublished Work—© Otis Elevator Co.; 2024

**Leaflet Description**

This leaflet covers AAA323EE pushbuttons. Pushbuttons are 24, 12, or 5 volts with an AMP connector.

**Leaflet Revisions**

<b>Date Revised</b>	<b>Subject Matter Expert</b>	<b>Reason for Revision</b>
November 22, 2023	Sathyaraj Sellapandi and Paul Anthony	New SPL
January 17, 2024	Sathyaraj Sellapandi and Paul Anthony	Connector orientation changed. EE4 and EE5 halo illumination color changed to red.

**Related Drawings**

<b>Drawing No.</b>	<b>Title</b>	<b>Drawing No.</b>	<b>Title</b>
AAA323EE	Pushbutton		

**Related Documents**

<b>Document ID</b>	<b>Title</b>
SPL 31-AAA25000FE	<i>Applied Gen3 Core Car Operating Panel</i>
SPL 32-AAA23852N	<i>G3C Core Combo Button Fixture Jewel and/or Keyswitch</i>

**Subject Matter Expert**

<b>Name</b>	<b>Department</b>
Sathyaraj Sellapandi	Florence Engineer
Paul Anthony	OSC Service Engineering

**About Spare Parts Leaflets...**

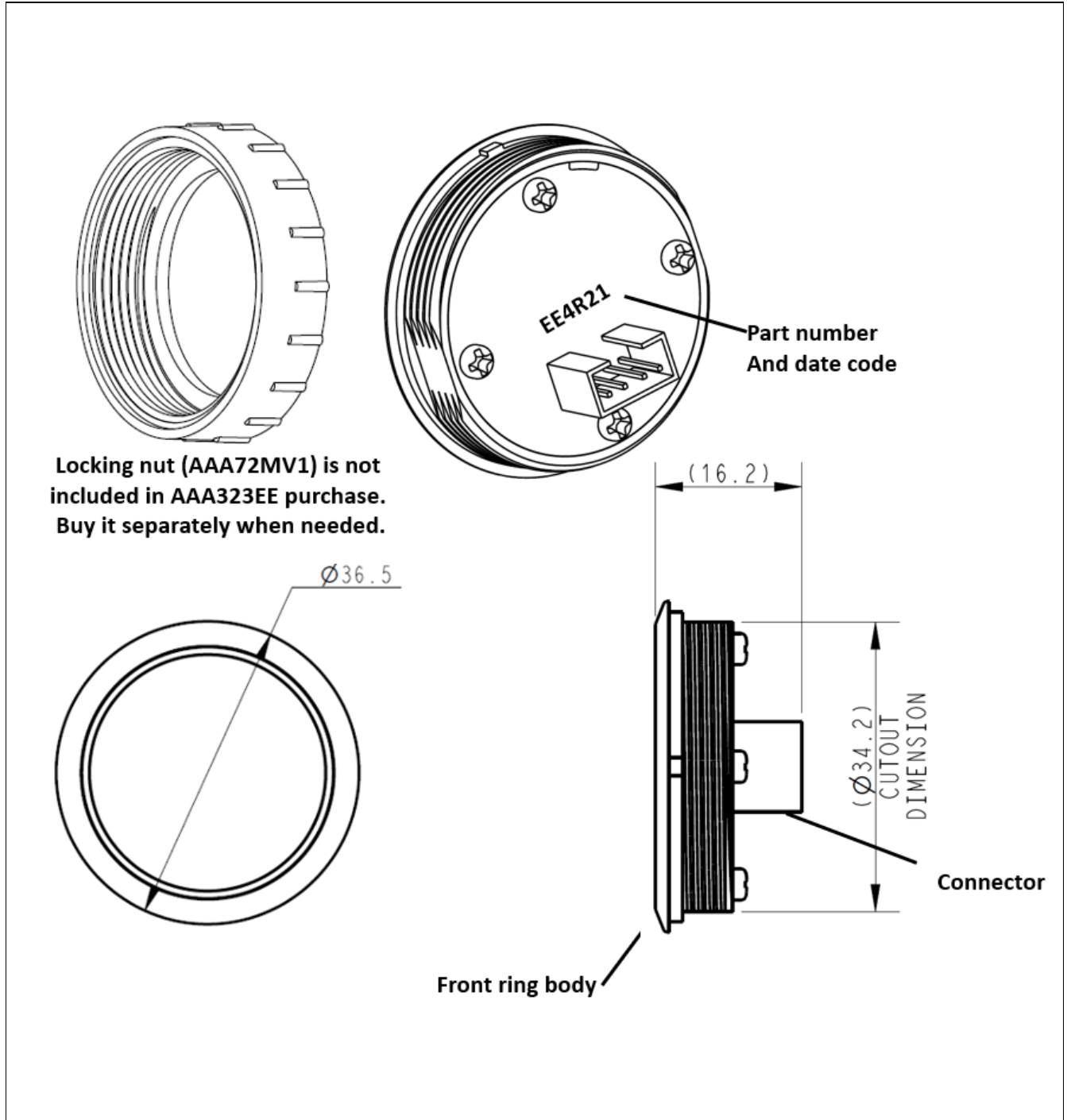
This document lists the lowest replaceable units (LRUs) for the standard version of the product. The LRUs are chosen by a team of Otis associates representing engineering and manufacturing.

While goal of this document is to make parts identification as easy as possible, the document cannot be all-inclusive. Elevator and escalator contracts classified as “special” or “custom” are not addressed here. For such contracts, please refer to specified information, the contract folder, TIPs, Field Education Articles, Construction Letters, etc. for further information.

If you have any suggestions about this document, please contact the subject matter expert listed on this page.

# Flat Flush Pushbuttons

**32-AAA323EE**



PART No.	TARGET PROFILE	VOLTAGE RATING	USE	FRONT RING BODY COLOR	HALO ILLUMINATION COLOR
AAA323EE4	Flat Flush	24 V	Door Open, Close, Floor, & Fixture Call Button	Clear	White LED
AAA323EE5	Flat Flush	12 V	Alarm	Clear	Red LED
AAA323EE6	Flat Flush	5 V	Phone	Clear	Red LED