

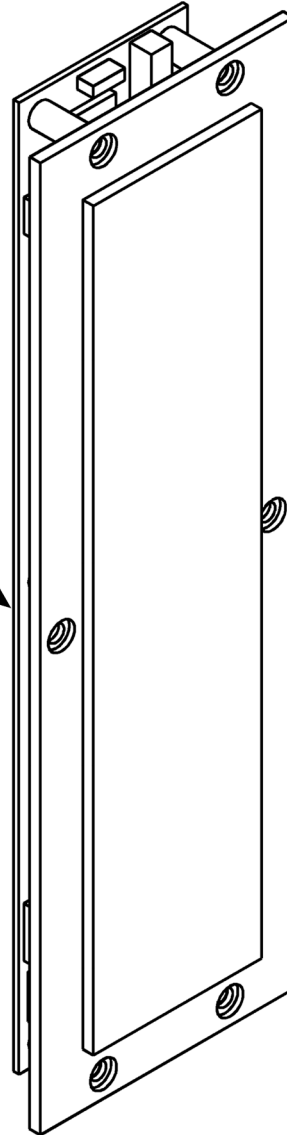
Compass[®] Annunciator

Spare Parts Leaflet

32-AAA639DL

November 15, 2023 / Page 1 of 4

32 R-AAA639DL



This document does not contain any technical data subject to EAR or ITAR

SERVICE ENGINEERING
Otis Elevator Company
Bloomfield, Connecticut USA

Unpublished Work—© Otis Elevator Co.; 2023

Leaflet Description

This leaflet summarizes the annunciator. The annunciator is attached to the elevator door jam and connected to the car RSL; it is used with Compass to display which floors the elevator is serving.

Leaflet Revisions

Date Revised	Subject Matter Expert	Reason for Revision
March 3, 2009	Bennie Murah	New SPL
June 8, 2016	Frank Dyer and Bennie Murah	Corrected Ref. 1 on p. 3; Added p/n AAA639DL11 on p. 3
November 15, 2023	Vadzim Fedarenka	Added new p. 4

Related Drawings

Drawing No.	Title	Drawing No.	Title
AAA639DL	Computer, Annunciator	AAA29000AG	NGH Passenger Interface, System Level
AAA147SY	Plate, Face, Annunciator	AAA313DM	Box, Signal Fixture

Related Documents

Document ID	Title
SPL 40-AAA29000AG	System Level SPL: NGH Passenger Interface Keypad & Terminals

Subject Matter Expert

Name	Department
Vadzim Fedarenka	OSC Service Engineering

About Spare Parts Leaflets...

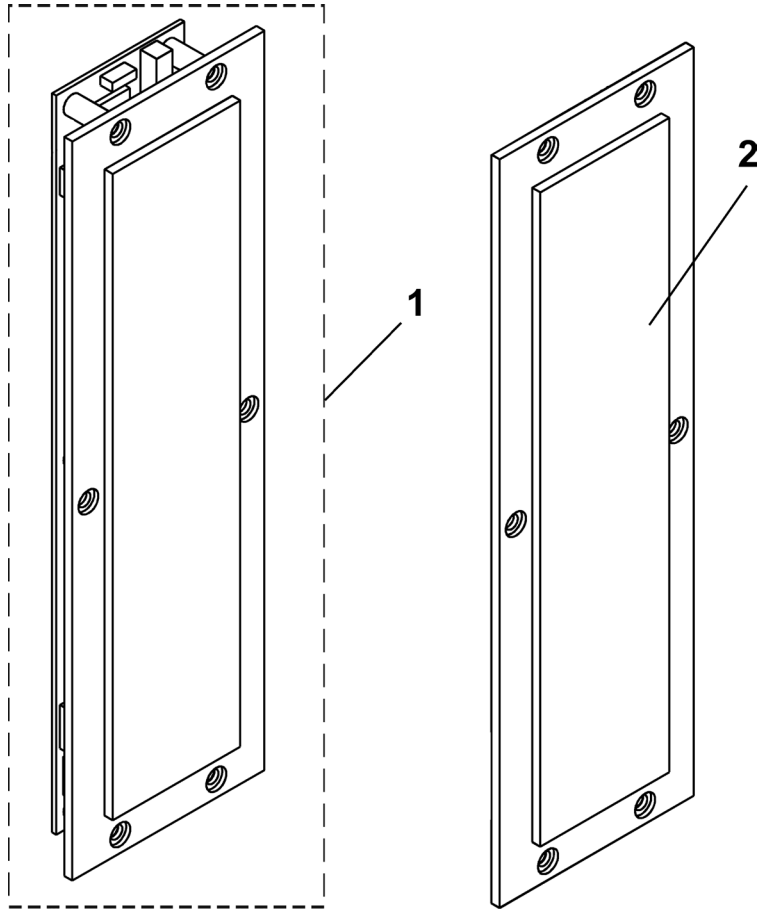
This document lists the lowest replaceable units (LRUs) for the standard version of the product. The LRUs are chosen by a team of Otis associates representing engineering and manufacturing.

While goal of this document is to make parts identification as easy as possible, the document cannot be all-inclusive. Elevator and escalator contracts classified as "special" or "custom" are not addressed here. For such contracts, please refer to specified information, the contract folder, TIPS, Field Education Articles, Construction Letters, etc. for further information.

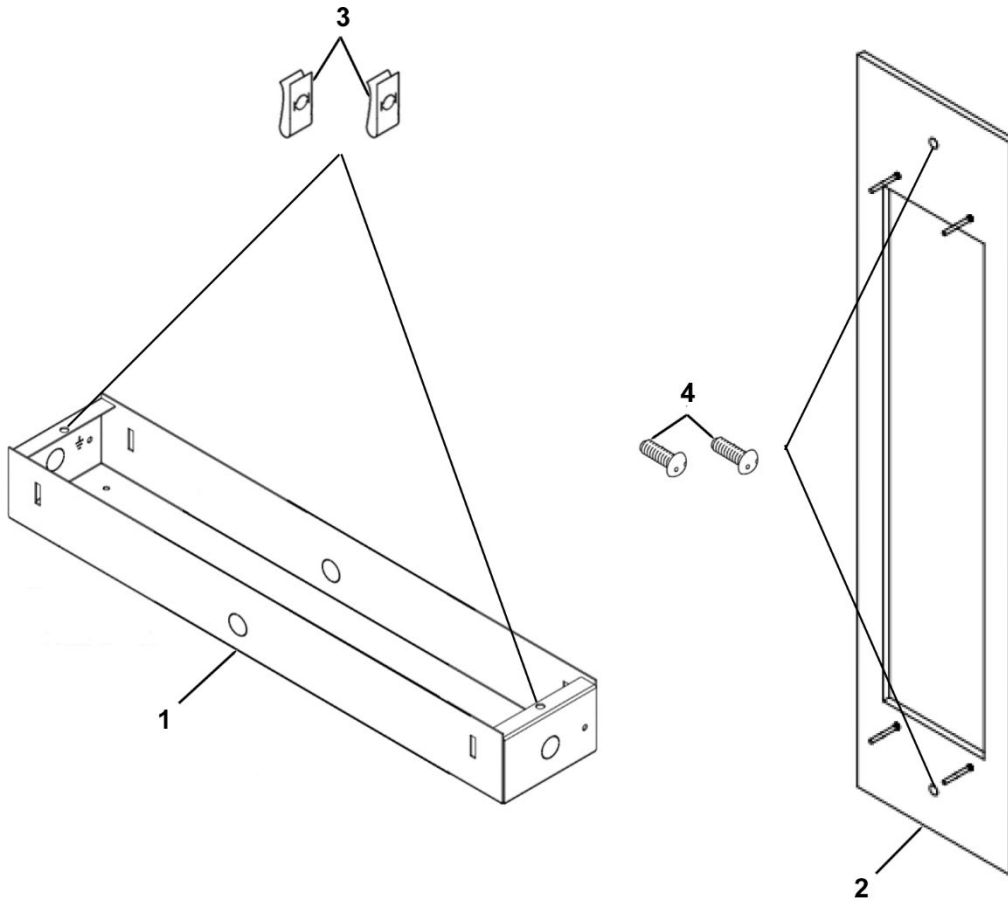
If you have any suggestions about this document, please contact the subject matter expert listed on this page.

Annunciator

32-AAA639DL



AAA639DL		
REF. No.	PART No.	DESCRIPTION
1	AAA639DL1	Complete Annunciator, PCB and Lens; Red LEDs & Red Lens
	AAA639DL8	Complete Annunciator, PCB and Lens; Green LEDs & Gray Lens
	AAA639DL9	Complete Annunciator, PCB and Lens; Blue LEDs & Blue Lens
2	AAA639DL3	Lens, Red
	AAA639DL4	Lens, Gray
	AAA639DL11	Lens, Blue



AAA639DL		
REF. No.	PART No.	DESCRIPTION
1	AAA313DM14	Box, Signal Fixture: 330.3 x 82.3 x 76.2 mm
2	AAA147SY30-FS4	Faceplate, Annunciator: 355.7 x 107.7 mm, FS4 Brushed Stainless Steel Finish
	AAA147SY30-SS8	Faceplate, Annunciator: 355.7 x 107.7 mm, SS8 Mirrored & Lacquered Stainless Steel Finish
	AAA147SY30-BR7	Faceplate, Annunciator: 355.7 x 107.7 mm, BR7 Brushed Brass Finish
	AAA147SY30-BR8	Faceplate, Annunciator: 355.7 x 107.7 mm, BR8 Mirrored & Lacquered Brass Finish
3	72BX7	Nut, Speed
4	124DK1	Screw, Tamper Resistant, Pan Head