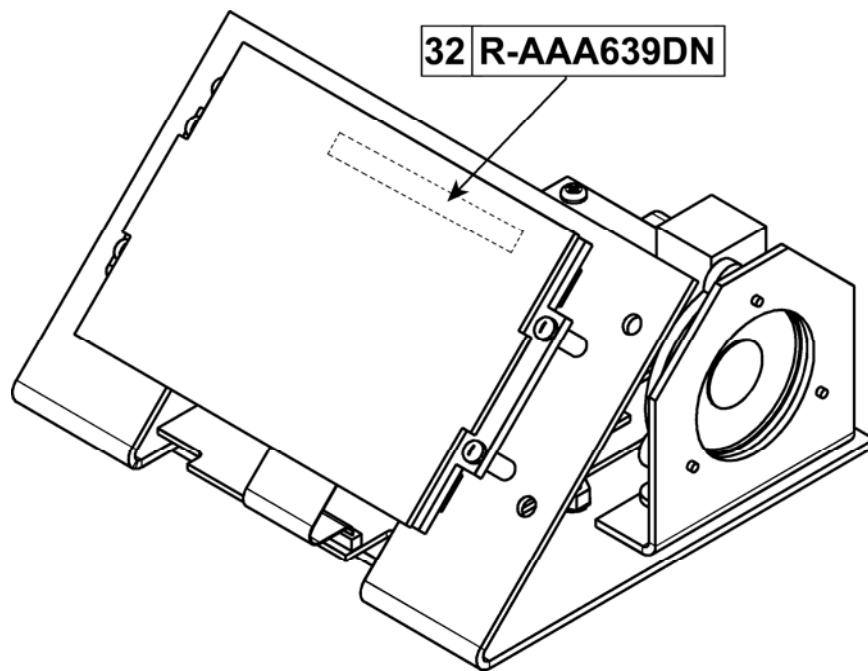


Compass® Turnstile
Keypad

Spare Parts Leaflet

32-AAA639DN

March 3, 2009 / Page 1 of 3



Unpublished Work—© Otis Elevator Co.; 2009

OTIS

Safety First!

SERVICE ENGINEERING
Otis Elevator Company
Bloomfield, Connecticut USA

Leaflet Description

This leaflet summarizes the Compass turnstile keypad. The turnstile keypad is mounted inside a vendor-supplied turnstile unit. It displays the passenger's elevator assignment after they swipe their security credentials.

Leaflet Revisions

Date Revised	Subject Matter Expert	Reason for Revision
March 3, 2009	Bennie Murah	New SPL

Related Drawings

Drawing No.	Title	Drawing No.	Title
AAA639DN	NGH Passenger Interface, Turnstile Keypad	AAA29000AG	NGH Passenger Interface, System Level
AAA25300V, AAB25300V	NGH Passenger Interface Machine Room Equipment	AAA25300AA	NGH Passenger Interface Pit Enclosure
AAA25300Y	NGH Passenger Interface Redirector	AAA25300S, AAB25300S	NGH Passenger Interface Pit Enclosure

Related Documents

Document ID	Title
SPL 10-AAB25300S	NGH Passenger Interface, Pit Enclosure
SPL 10-AAB25300V	NGH Passenger Interface, Machine Room Equipment
SPL 10-AAA25300Y	NGH Passenger Interface, Redirector
SPL 10-AAA25300AA	NGH Passenger Interface, Pit Enclosure

Subject Matter Expert

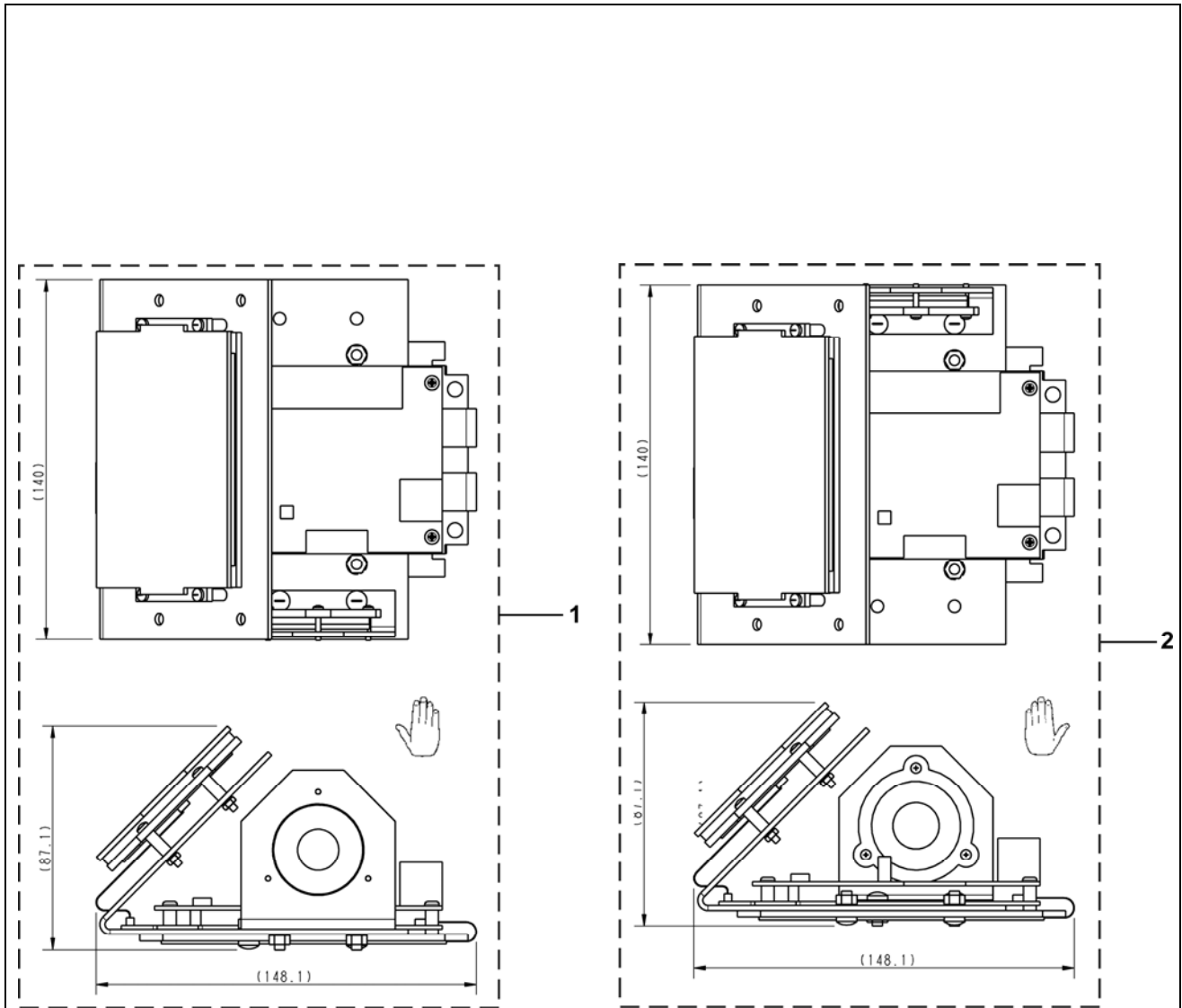
Name	Department
Bennie Murah	Otis Engineering Center Farmington, CT

About Spare Parts Leaflets...

This document lists the lowest replaceable units (LRUs) for the standard version of the product. The LRUs are chosen by a team of Otis associates representing engineering and manufacturing.

While goal of this document is to make parts identification as easy as possible, the document cannot be all-inclusive. Elevator and escalator contracts classified as "special" or "custom" are not addressed here. For such contracts, please refer to specified information, the contract folder, TIPs, Field Education Articles, Construction Letters, etc. for further information.

If you have any suggestions about this document, please contact the subject matter expert listed on this page.



REF. No.	PART No.	DESCRIPTION
1	AAA639DN1	Computer, Turnstile Mounted, RH Speaker
2	AAA639DN2	Computer, Turnstile Mounted, LH Speaker

NOTE: Turnstile is supplied by others.