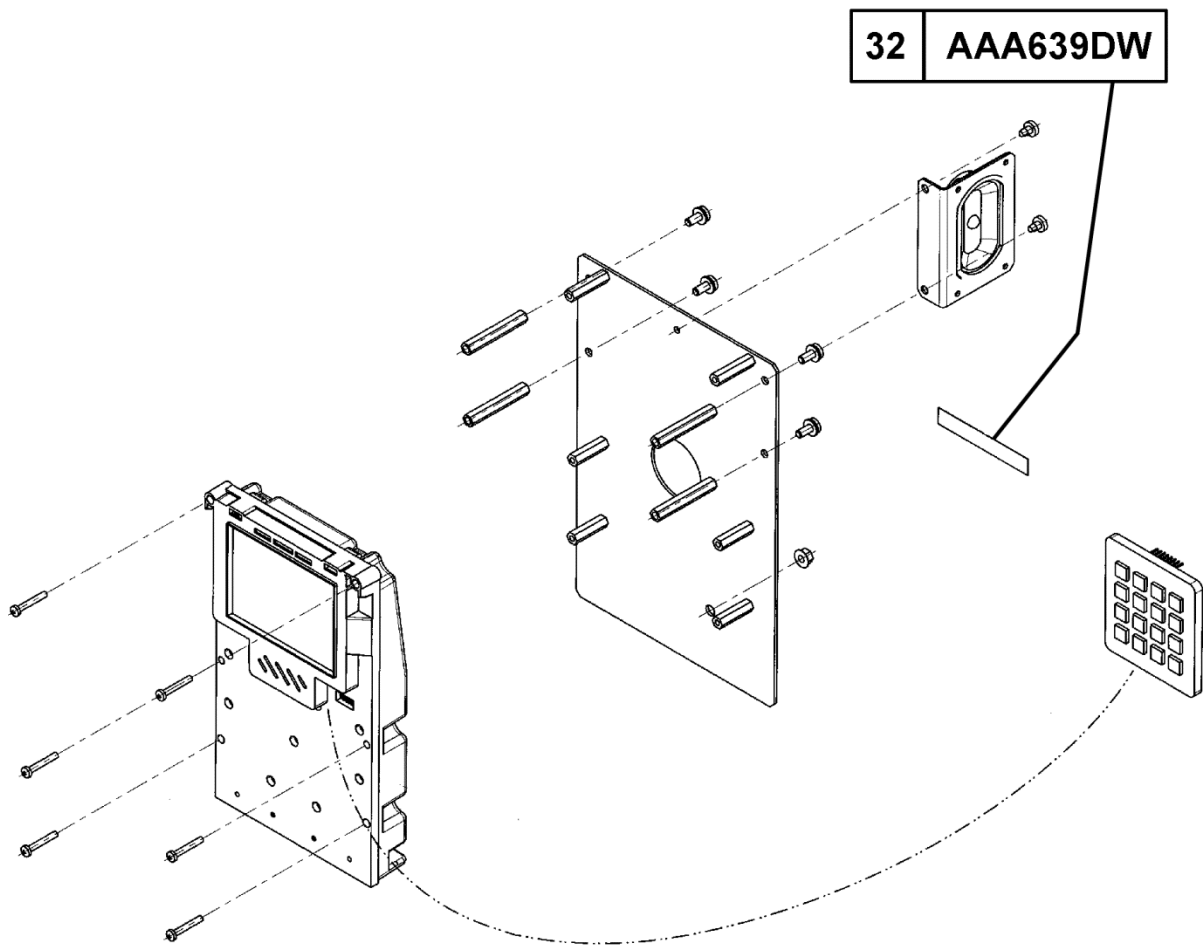


# Computer Turnstile Mounting

Spare Parts Leaflet

32-AAA639DW

July 1, 2015 / Page 1 of 4



# OTIS

SERVICE ENGINEERING  
Otis Elevator Company  
Bloomfield, Connecticut USA

Unpublished Work—© Otis Elevator Co.; 2015

## Leaflet Description

This leaflet provides spare parts information for turnstile mounting computer used for Compass®.

### Leaflet Revisions

Date Revised	Subject Matter Expert	Reason for Revision
July 1, 2015	Joseph Zych	New SPL

### Related Drawings

Drawing No.	Title	Drawing No.	Title
AAA639DW	Computer Turnstile Mounting		

### Related Documents

Document ID	Title
SPL 32-AAA639DS	NGH Passenger Interface, Compass® Keypad

### Subject Matter Expert

Name	Department
Joseph Zych	OSC Service Engineering

### About Spare Parts Leaflets...

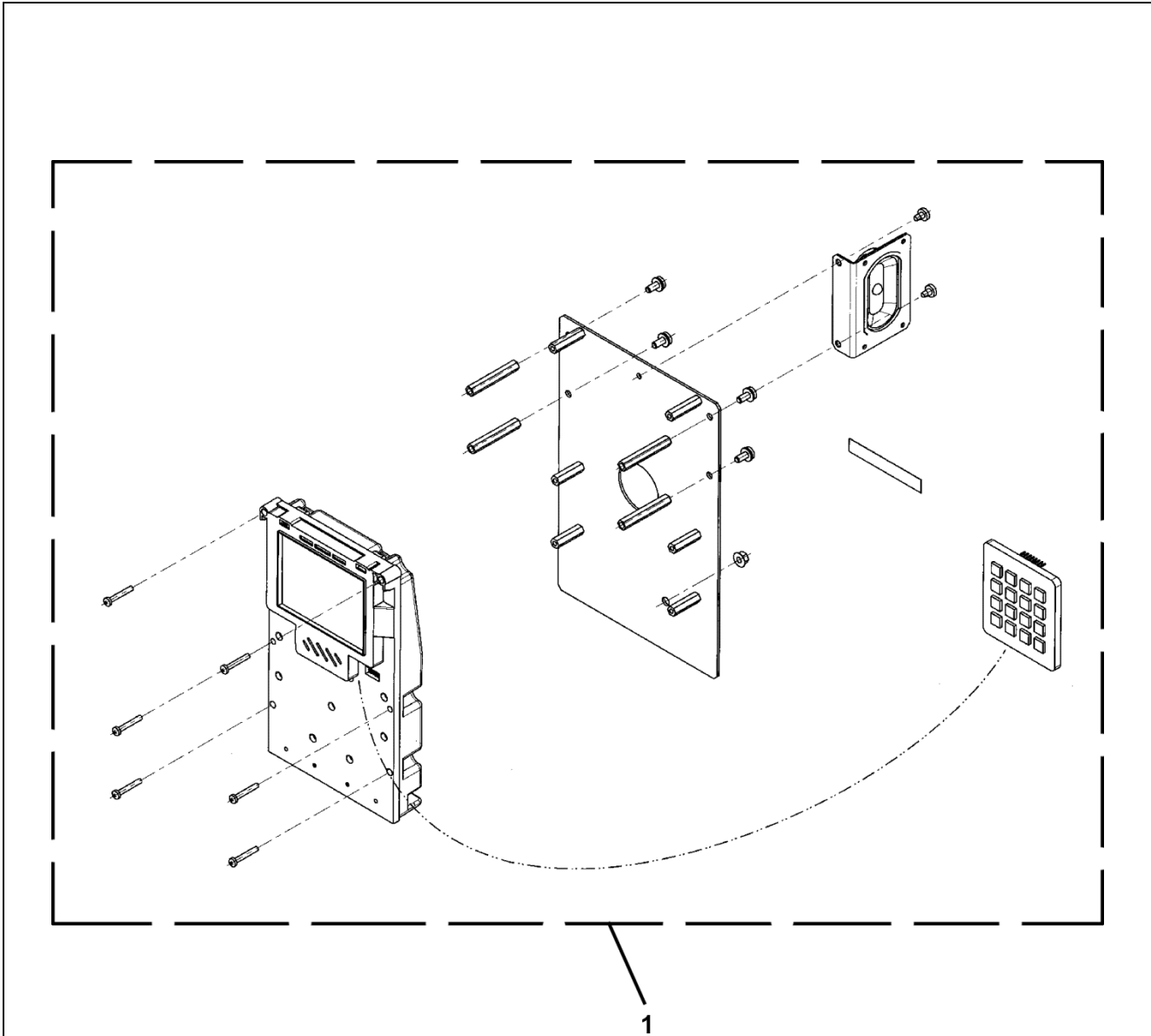
This document lists the lowest replaceable units (LRUs) for the standard version of the product. The LRUs are chosen by a team of Otis associates representing engineering and manufacturing.

While goal of this document is to make parts identification as easy as possible, the document cannot be all-inclusive. Elevator and escalator contracts classified as “special” or “custom” are not addressed here. For such contracts, please refer to specified information, the contract folder, TIPS, Field Education Articles, Construction Letters, etc. for further information.

If you have any suggestions about this document, please contact the subject matter expert listed on this page.

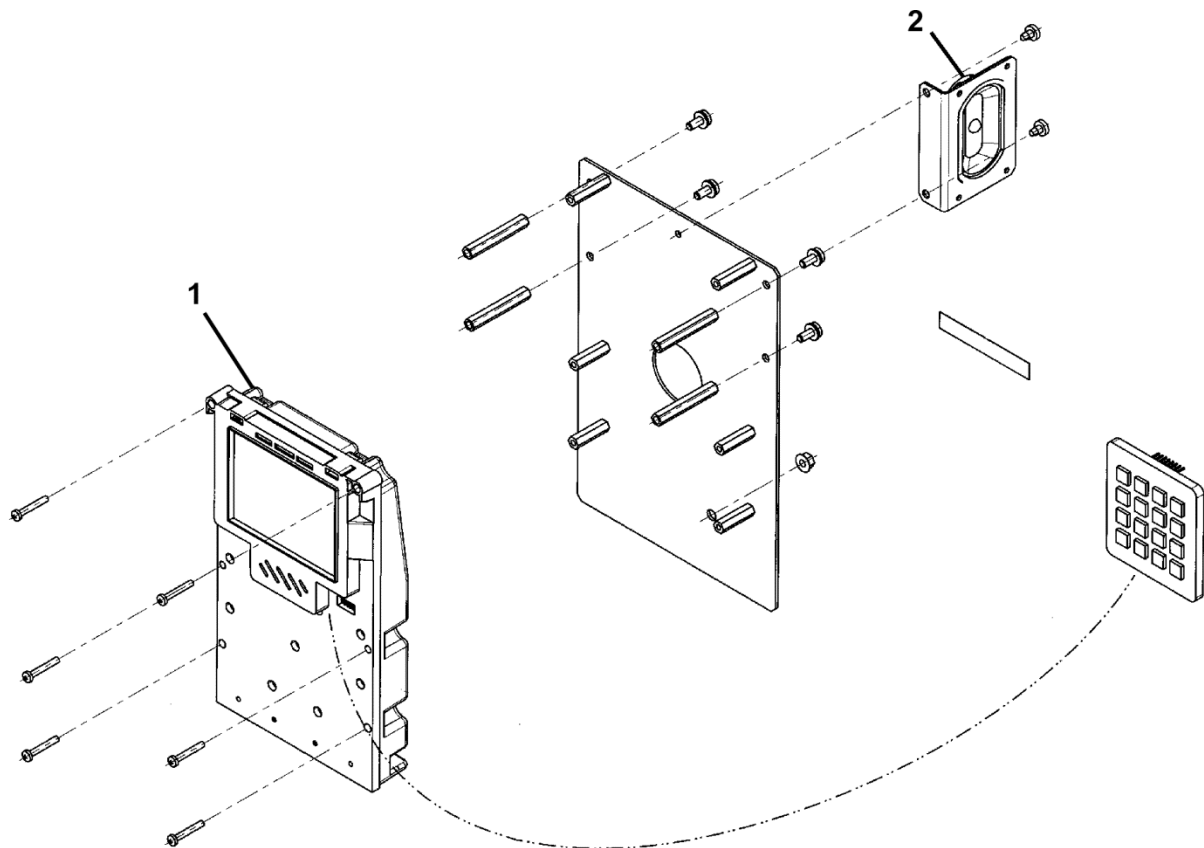
# Turnstile Mounting Computer Assemblies

32-AAA639DW



REF. No.	PART No.	DESCRIPTION
1	AAA639DW1	Assembly, Turnstile Mounting Computer, Classic
	AAA639DW2	Assembly, Turnstile Mounting Computer, Thin Client

# Turnstile Mounting Computer Components



REF. No.	PART No.	DESCRIPTION
1	AAA639DS6	Keypad, Computer User Interface, Classic
	AAA639DS36	Keypad, Computer User Interface, Thin Client
2	AAA655B5	Speaker