

SPL 32-AAA7069BE - Fixture - Assembly: Advanced, Raised & Modular; Hall Panels

Unpublished Work - © Otis Elevator Company. Any unauthorized reproduction, disclosure, or distribution of copies or content by any person of any portion of this work may be a violation of Copyright Law of the United States of America. All rights reserved.

Supersedes SPLs 32-A**7069BE Dated: June 1991, 32-7069AJ Dated: December 1994, 32-7069BJ Dated: August 1988
February 1997

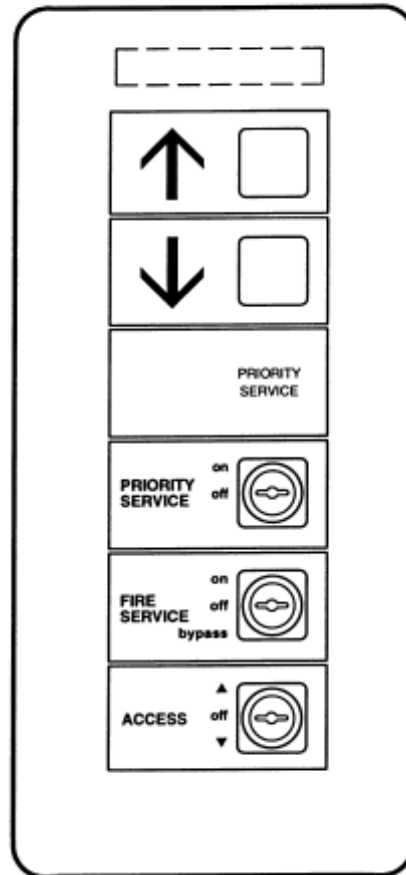
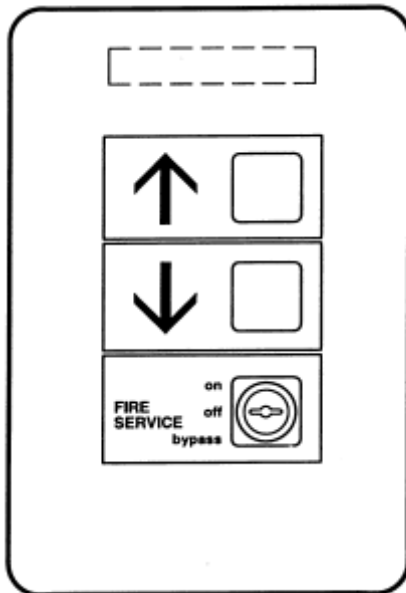
Page 1

Y	REVISION
VINTAGE	01 Y
32	7069AJ

- 32 R-AAA7069BD**
- 32 R-AAA7069BE**
- 32 R-AAA7069BN**

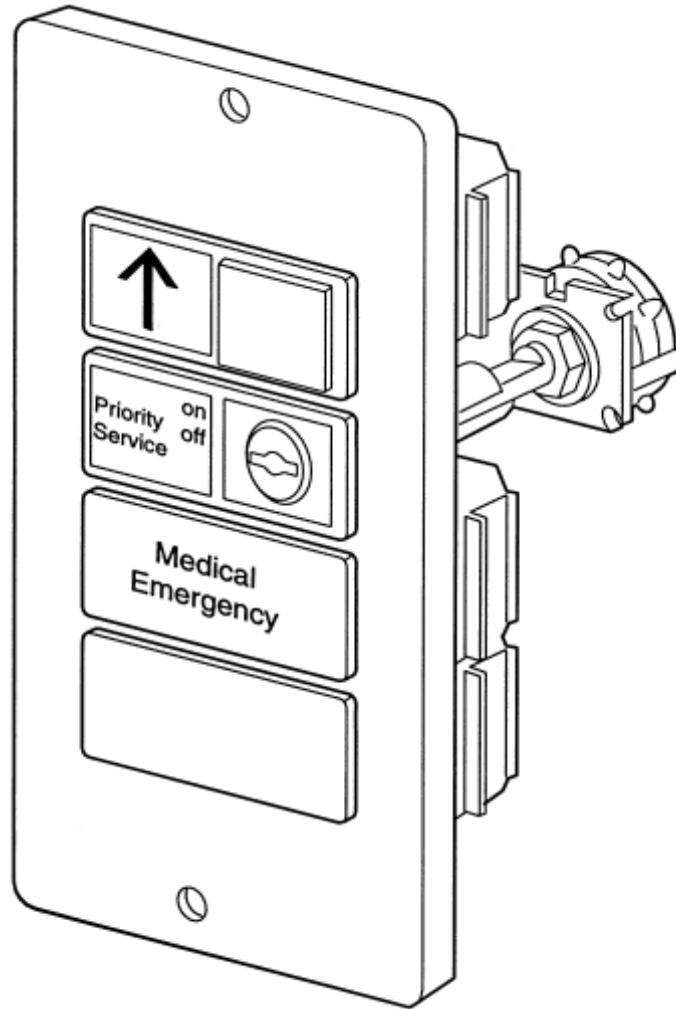
Y	REVISION
VINTAGE	01 Y
32	7069BJ

- 32 R-AAB7069BN**
- 32 R-AAA7069BP**
- 32 R-AAB7069BP**



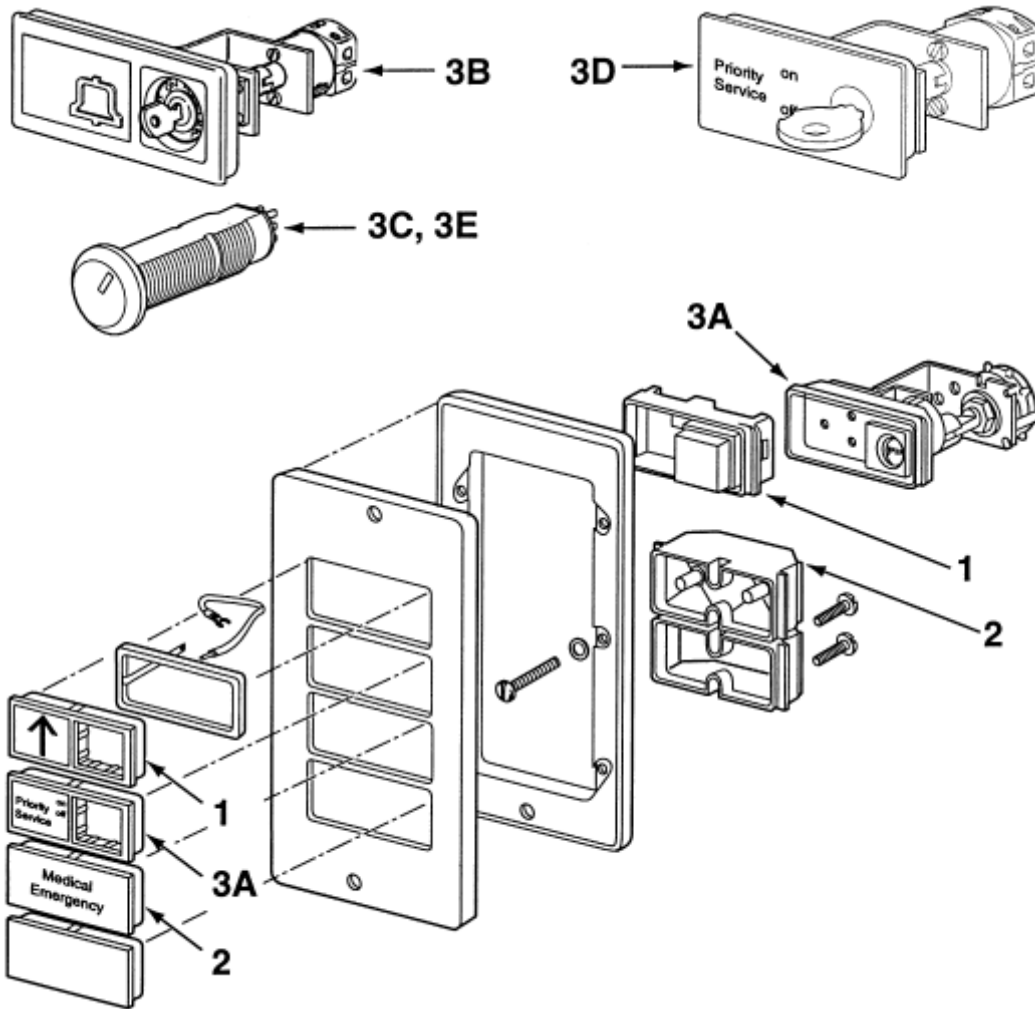
Page 2 - HALL PANEL ASSEMBLIES

This spare parts leaflet covers hall panels for advanced type fixtures (type 7069AF button) and modular fixtures (type 7069BF button). The faceplates, both front and side screw-secured, for the types of hall panel assemblies listed on the cover page, are described in SPL 32-AAA147NX.



SPL 32-AAA7069BE - Fixture - Assembly: Advanced, Raised & Modular; Hall Panels

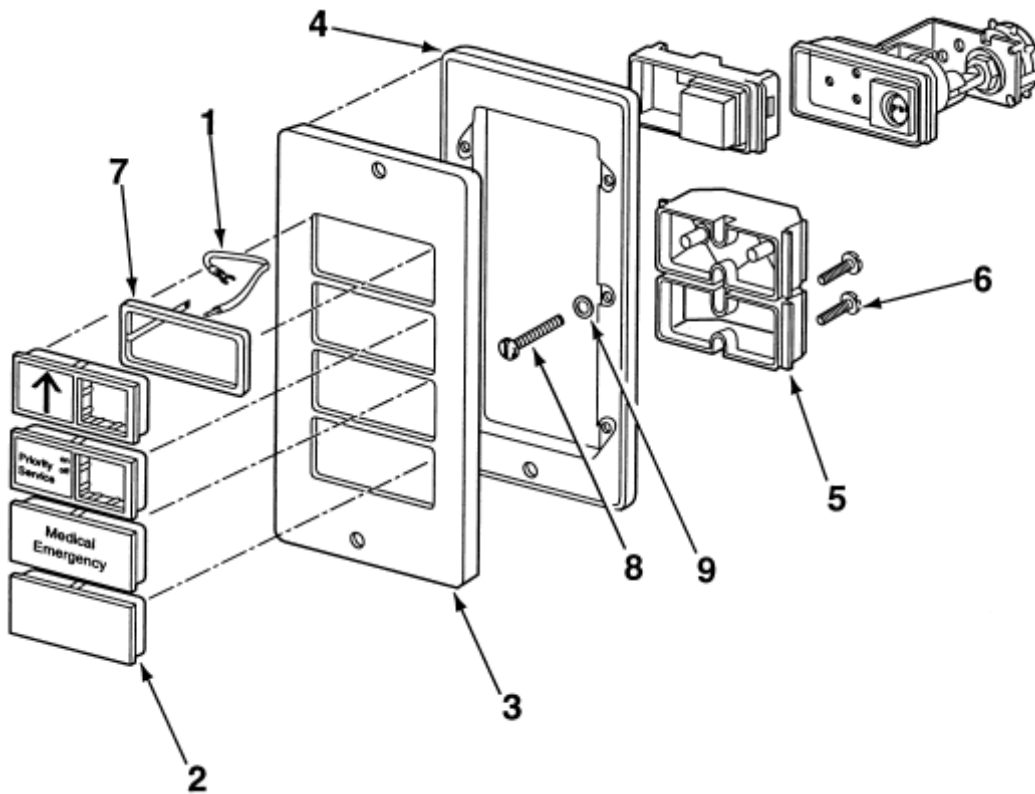
Page 3



REF. No.	PART OR ML	DESCRIPTION	VINTAGE
1	TYPE 7069AF	Button Module, See Also SPL 31-7069AF	7069AJ AAA7069BE/BP/BN
	TYPE 7069BF	Button Module Modular, See Also SPL 31-7069AF	7069BJ,AAA7069BD AAB7069BP/BN
2	TYPE 7069AG	Jewel Module, See Also SPL 31-7069AF	ALL
3	A TYPE 7069AH	Keyswitch Module, See Also SPL 31-7069AH	7069AJ/BJ
	B TYPE AAA7069BH	Keyswitch Module, See Also SPL 31-AAA7069BH	AAA7069BE/BP/BN/ BD
	C TYPE AAA7069BR	Keyswitch Module, See Also SPL 31-AAA7069BH	
	D TYPE AAA7069AAK	Keyswitch Module, See Also SPL 31-AAA7069AAK	AAB7069BP/BN
	E TYPE AAA7069AAF	Keyswitch Module, See also SPL 31-AAA7069AAK	

SPL 32-AAA7069BE - Fixture - Assembly: Advanced, Raised & Modular; Hall Panels

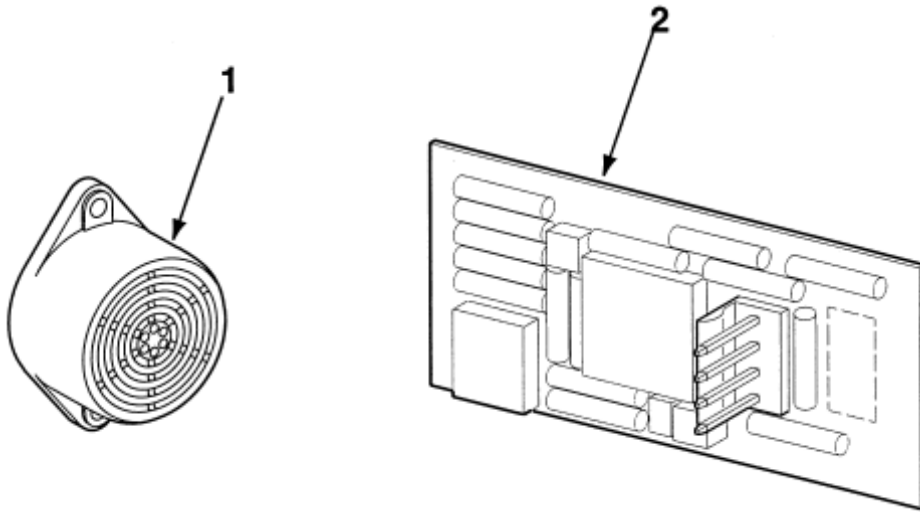
Page 4



ALL VINTAGES		
REF. No.	PART OR ML	DESCRIPTION
1	174DD10	Cable, Jumper (Ground Strip to Ground)
	174DD11	Cable, Jumper (1 per keyswitch module)
2	396LB1	Chicklet, Blank Used with Chicklet Module
3	See Also 32-AAA147NX	Faceplate
4	A396JN1	Housing, 3 Module, 7.117 x 4.830 in. (not shown)
	A396JP1	Housing, 6 Module, 10.740 x 4.830 in. (shown)
5	396VB1	Housing, Used with Blank Chicklet
6	124CY2	Screw (2 per blank chicklet module)
7	298SC1	Strip, Grounding
8	OBTAIN LOCAL	Screw, 6-32 x 1-1/2 in. L
9	OBTAIN LOCAL	Washer, #6

SPL 32-AAA7069BE - Fixture - Assembly: Advanced, Raised & Modular; Hall Panels

Page 5



ALL VINTAGES		
REF. No.	PART OR ML	DESCRIPTION
1	6219F5	Buzzer w/Self-Adhesive Backing
2	A8128GD1	PC Board, ACRS (N.L. Code Only)