

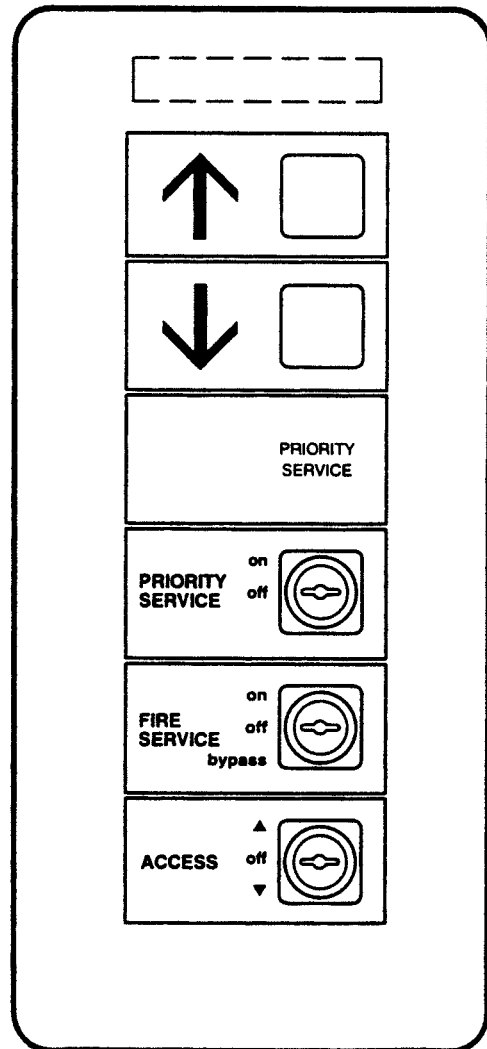
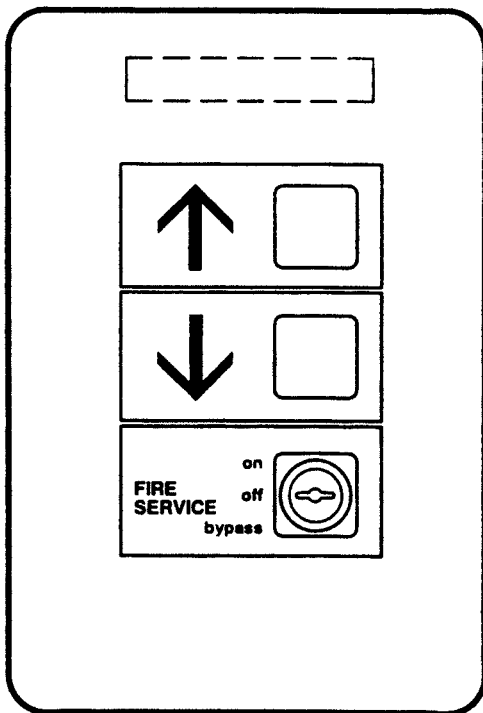
Hall Panel:
Type AAA7069BN

Spare Parts Leaflet

32-AAA7069BN

January 15, 2005 / Page 1 of 4

32 R-AAA7069BN



Unpublished Work—© Otis Elevator Co.; 2005

OTIS

Safety First!

SERVICE ENGINEERING
Otis Elevator Company
Bloomfield, Connecticut USA

Leaflet Description

This leaflet covers series I hall panel AAA7069BN with advanced fixtures. The faceplate, both front and side screw secured, are described in SPL 32-AAA147NX.

Leaflet Revisions

Date Revised	Subject Matter Expert	Reason for Revision
January 15, 2005	Lisa Mitchell	New SPL
---	---	---

Related Drawings

Drawing No.	Title	Drawing No.	Title
AAA7069BN	Assembly & Arrangement: Hall Panel	7069AG	Jewel Module

Related Documents

Document ID	Title
SPL 31-7069AF	Advanced Fixtures: Component Fixtures for Car Operating & Hall Panels
SPL 31-7069AG	Advanced Fixtures: Jewel Modules for Hall and Car Panels, 3-Wire Configuration with Incandescent Lamps
SPL 31-7069AH	Fixture—Car: Key Switch, Advanced Fixtures
SPL 31-AAA7069BH	Fixture—Car: Keyswitch Module, Advanced Fixtures
SPL 31-AAA7069AAR	Jewel Modules, Advanced Fixtures
SPL 32-AAA7069BE	Fixture—Assembly: Advanced, Raised & Modular Hall Panels
SPL 32-AAA147NX	Fixture—Part: Advanced, Raised Faceplate

Subject Matter Expert

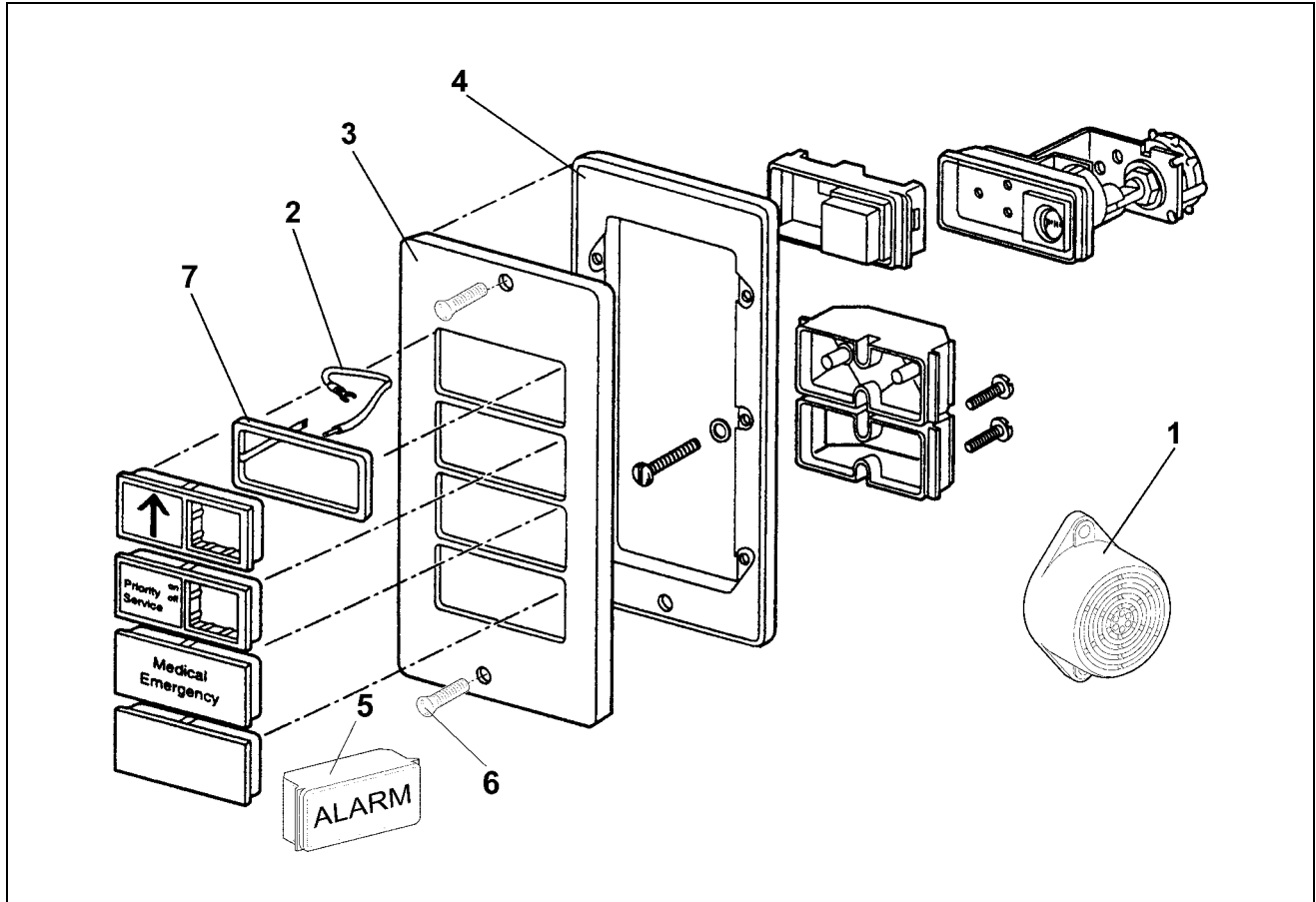
Name	Department
Lisa Mitchell	OSC Service Engineering

About Spare Parts Leaflets...




This document lists the lowest replaceable units (LRUs) for the standard version of the product. The LRUs are chosen by a team of Otis associates representing engineering and manufacturing.

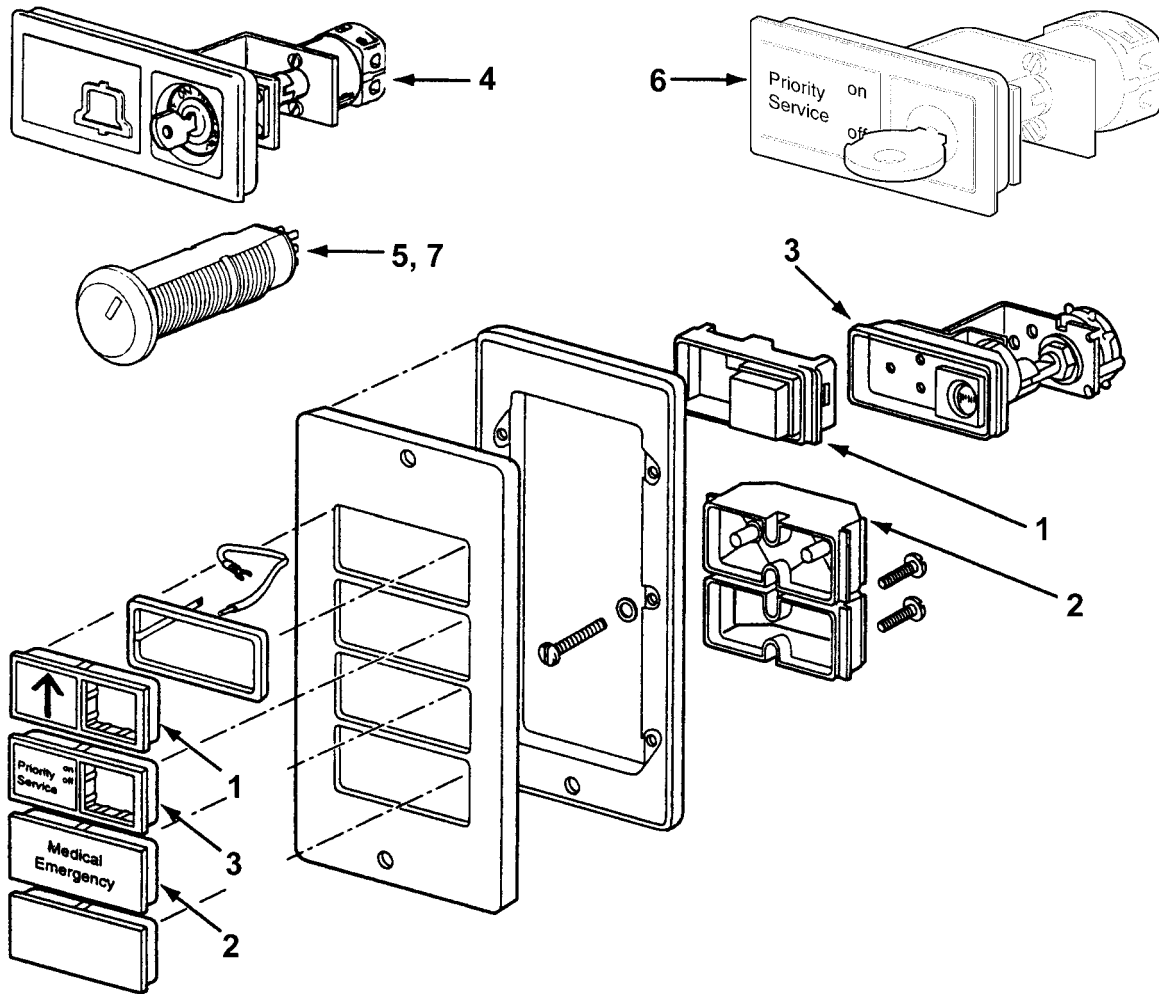
While goal of this document is to make parts identification as easy as possible, the document cannot be all-inclusive. Elevator and escalator contracts classified as “special” or “custom” are not addressed here. For such contracts, please refer to specified information, the contract folder, TIPS, Field Education Articles, Construction Letters, etc. for further information.

If you have any suggestions about this document, please contact the subject matter expert listed on this page.



AAA7069BN
AAB7069BN

REF. No.	PART No.	DESCRIPTION
1	6219F5	Buzzer
2	174DD10	Cable, Jumper (ground strip to ground)
	174DD11	Cable, Jumper (1 per keyswitch)
3	---	Faceplate, Type AAA147NX, 3 Module Max,  SPL 32-AAA147NX
	---	Faceplate, Type AAA147NY, 4 & 6 Module Max,  SPL 32-AAA147NX
4	A396JN1	Housing, 3 Module Max
	A396JP1	Housing, 4 & 6 Module Max
5	7069AG119	Jewel, Alarm,  SPL 31-7069AG for Details
6	124DK11	Screw, Stainless Steel
	124DK12	Screw, Brass
	124DK23	Screw, Stainless Steel, Mirror Finish
	124DK24	Screw, Brass, Mirror Finish
7	298SC1	Strip, Grounding



REF. No.	PART No.	DESCRIPTION
1	---	Button Module, Type 7069AF, SPL 31-7069AF
	---	Button Module, Modular, Type 7069BF, SPL 31-7069AF
2	---	Jewel Module, Type 7069AG, SPL 31-7069AF
3	---	Keyswitch Module, Type 7069AH, SPL 31-7069AH
4	---	Keyswitch Module, Type 7069BH, SPL 31-AAA7069BH
5	---	Keyswitch Module, Type 7069BR, SPL 31-AAA7069BH
6	---	Keyswitch Module, Type AAA7069AAK, SPL 31-AAA7069AAK
7	---	Keyswitch Module, Type AAA7069AAF, SPL 31-AAA7069AAK