

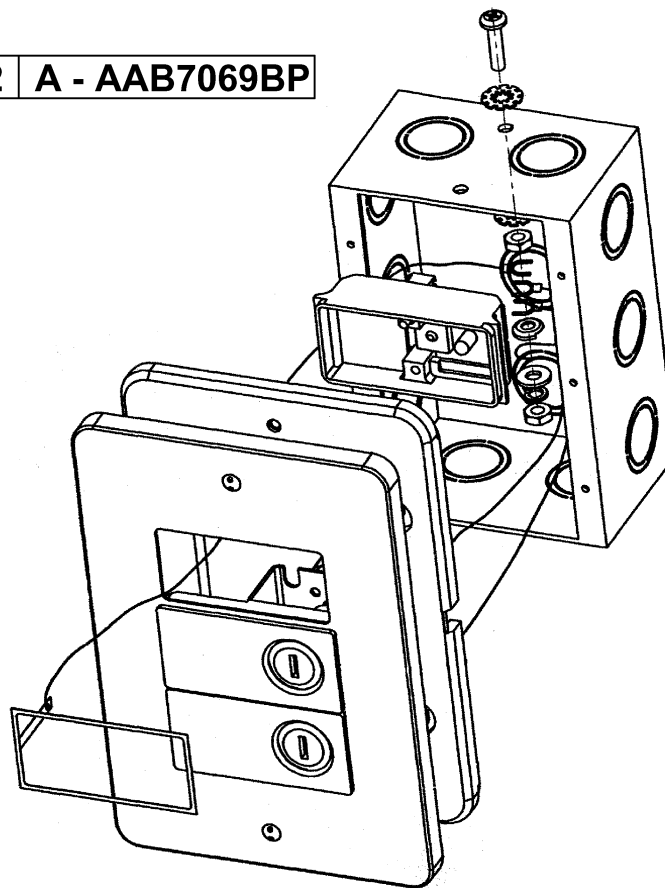
Series 1 Hall Panel Modular Control

Spare Parts Leaflet

32-AAB7069BP

November 15, 2006 / Page 1 of 4

32 A - AAB7069BP



Unpublished Work—© Otis Elevator Co.; 2006

OTIS

Safety First!

SERVICE ENGINEERING

Otis Elevator Company

Bloomfield, Connecticut USA

Leaflet Description

This leaflet provides spare parts information for Series 1 hall panel modular control assembly.

Leaflet Revisions

Date Revised	Subject Matter Expert	Reason for Revision
November 15, 2006	Joseph D. Zych	New Leaflet

Related Drawings

Drawing No.	Title	Drawing No.	Title
AAB7069BP	Assembly and Arrangement Hall Panel Modular Control		

Related Documents

Document ID	Title
SPL 31-396LB	Chicklet Gem Series 1 & 2
SPL 31-7069BF	Advanced Fixtures: Call Buttons for Car Operating & Hall Panels with Modular Control Remote Station
SPL 31-7069AG	Jewel Modules for Hall & Car Panels: 3-Wire Configuration With Incandescent Lamps/LED Options
SPL 31-AAA7069AAK	Keyswitch Module
SPL 31-AAA7069BR	Massachusetts Medical Emergency Keyswitch Modules
SPL 32-AAA147NX	Hall Fixture, Faceplate Advanced Raised

Subject Matter Expert

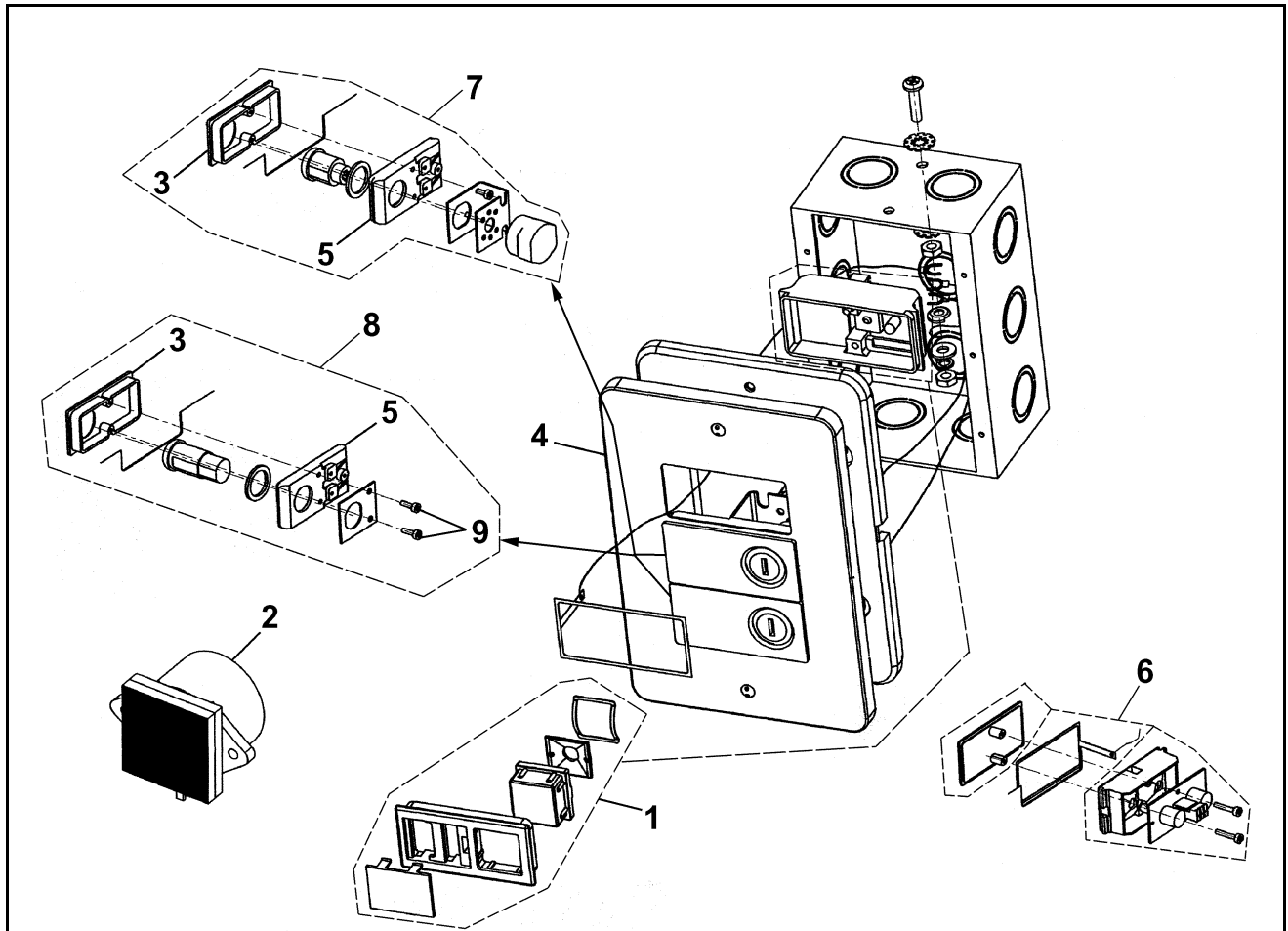
Name	Department
Joseph D. Zych	OSC Service Engineering

About Spare Parts Leaflets...

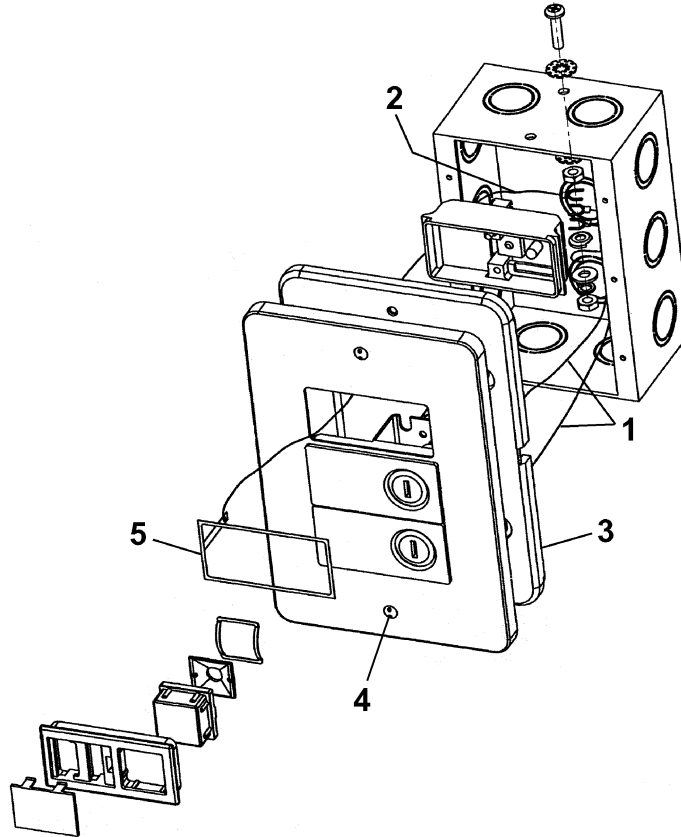
This document lists the lowest replaceable units (LRUs) for the standard version of the product. The LRUs are chosen by a team of Otis associates representing engineering and manufacturing.

While goal of this document is to make parts identification as easy as possible, the document cannot be all-inclusive. Elevator and escalator contracts classified as "special" or "custom" are not addressed here. For such contracts, please refer to specified information, the contract folder, TIPs, Field Education Articles, Construction Letters, etc. for further information.

If you have any suggestions about this document, please contact the subject matter expert listed on this page.



AAB7069BP		
REF. No.	PART No.	DESCRIPTION
1	---	Button, Type 7069BF, SPL 31-7069BF
2	6219F5	Buzzer
3	---	Chicklet, Type 396LB, SPL 31-396LB
4	---	Faceplate, Type AAA147NX (shown), SPL 32-AAA147NX
	---	Faceplate, Type AAA147NY, SPL 32-AAA147NX
5	396KC1	Housing
6	---	Jewel, Type 7069AG, SPL 31-7069AG
7	---	Keyswitch, Type AAA7069AAK, SPL 31-AAA7069AAK
8	---	Keyswitch, Type ABA7069AAF, SPL 31-AAA7069BR
9	124CY8	Screw



AAB7069BP		
REF. No.	PART No.	DESCRIPTION
1	174DD11	Cable, Jumper (connects to keyswitches)
2	174DD10	Cable, Jumper (connects to the grounding strip)
3	A396JN1	Housing, 3 Module (shown)
	A396JP1	Housing, 6 Module
4	124DK11	Screw, Spanner, Brushed Stainless Steel
	124DK12	Screw, Spanner, Brushed Brass
	124DK23	Screw, Spanner, Mirror Stainless Steel
	124DK24	Screw, Spanner, Mirror Brass
5	298SC1	Strip, Grounding