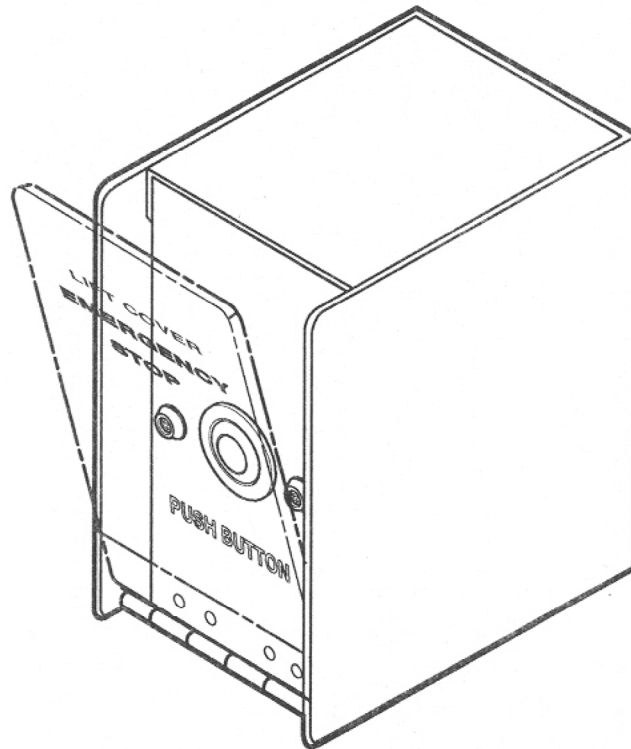


**OCE521 Escalator  
E. Stop Box**

**Spare Parts Leaflet**

**32-ASA03C361**

**February 25, 2015 / Page 1 of 3**



**OTIS**

**ESCALATOR DEPARTMENT  
Otis Elevator Company  
Changwon, Korea**

**Leaflet Description**

OCE521 escalator E. Stop box.

**Leaflet Revisions**

<b>Date Revised</b>	<b>Subject Matter Expert</b>	<b>Reason for Revision</b>
Nov. 1, 2006	---	Release
February 25, 2015	Tom Charney	Corrected callout 1 on the illustration on p. 3

**Related Drawings**

<b>Drawing No.</b>	<b>Title</b>	<b>Drawing No.</b>	<b>Title</b>
ASA01C820	E. Stop box	---	---
---	---	---	---

**Related Documents**

<b>Document ID</b>	<b>Title</b>
BOM	---

**Subject Matter Expert**

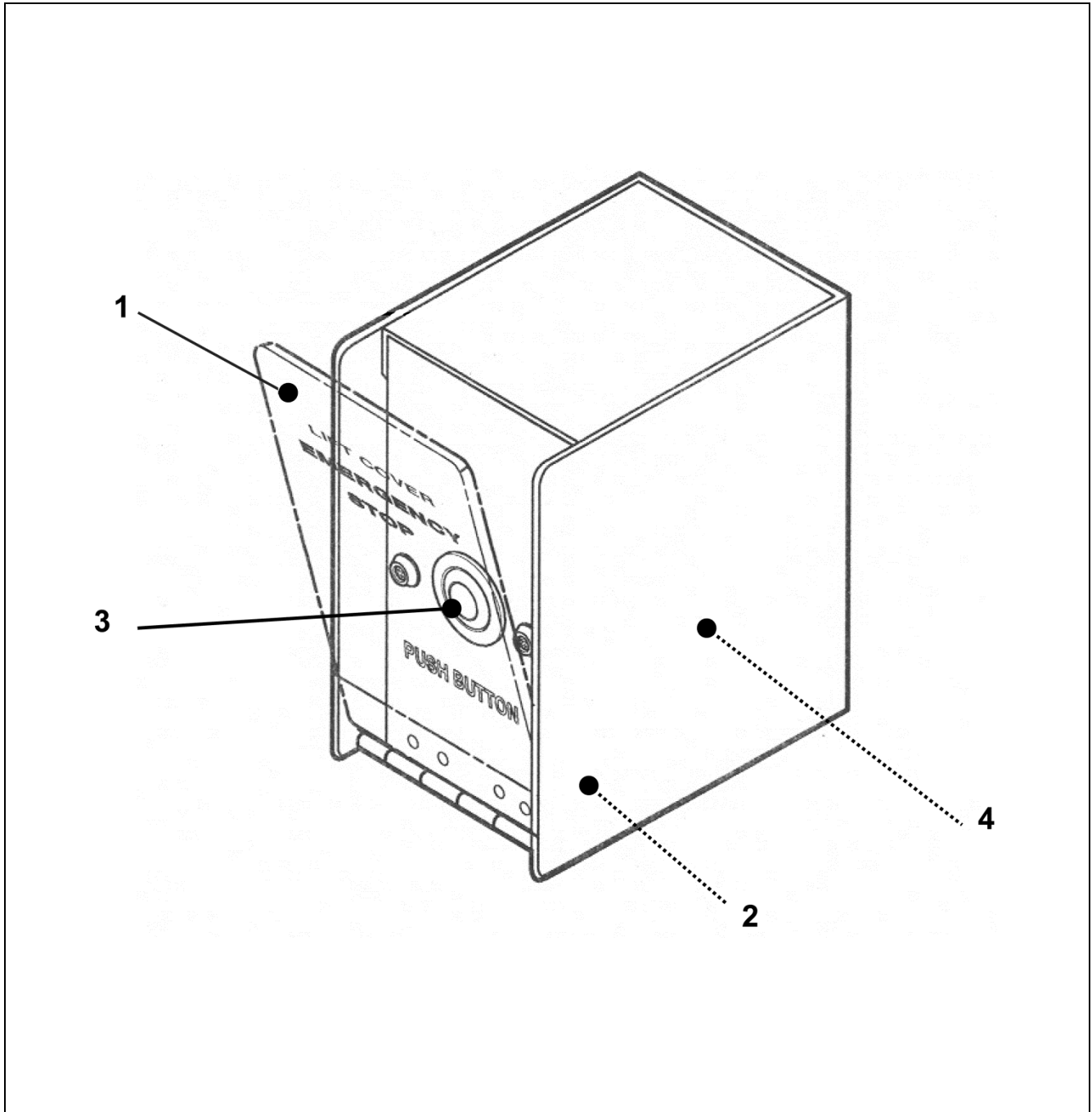
<b>Name</b>	<b>Department</b>
Tom Charney	OSC Service Engineering

**About Spare Parts Leaflets...**

This document lists the lowest replaceable units (LRUs) for the standard version of the product. The LRUs are chosen by a team of Otis associates representing engineering and manufacturing.

While goal of this document is to make parts identification as easy as possible, the document cannot be all-inclusive. Elevator and escalator contracts classified as "special" or "custom" are not addressed here. For such contracts, please refer to specified information, the contract folder, TIPs, Field Education Articles, Construction Letters, etc. for further information.

If you have any suggestions about this document, please contact the subject matter expert listed on this page.



W/O VINTAGE		
REF. No.	PART No.	DESCRIPTION
1	ASG00C981A	Cover
2	ASG00C982A	Button (Inside of Box)
3	ASG00C983A	Electric Switch
4	ASG00C984A	Buzzer (Inside of Box)