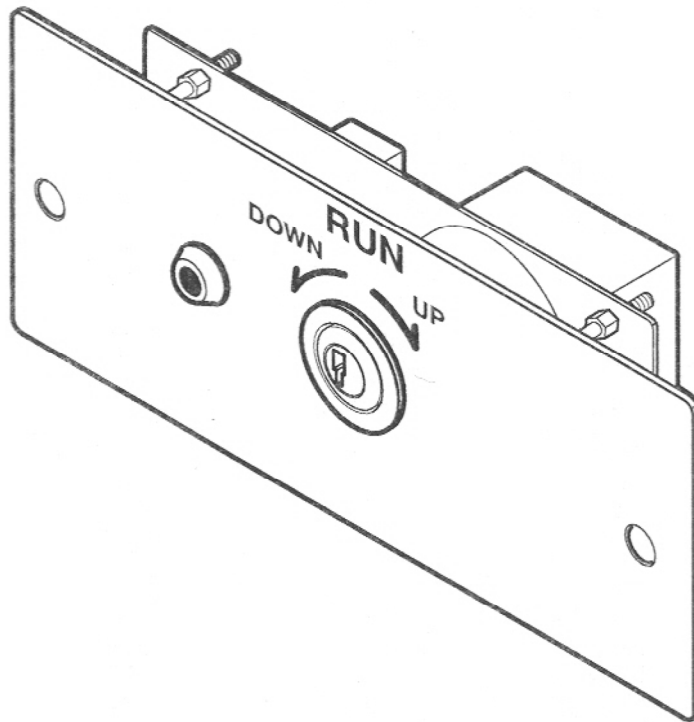


**OCE521 Escalator
Keyswitch Assembly**

Spare Parts Leaflet

32-ASA03C362

November 1, 2006 / Page 1 of 3



OTIS

Safety First!

ESCALATOR DEPARTMENT
Otis Elevator Company
Changwon, Korea

Leaflet Description

OCE521 escalator keyswitch assembly.

Leaflet Revisions

Date Revised	Subject Matter Expert	Reason for Revision
Nov. 1, 2006	---	Release
---	---	---

Related Drawings

Drawing No.	Title	Drawing No.	Title
ASA01B540	Keyswitch Assembly	---	---
---	---	---	---

Related Documents

Document ID	Title
BOM	---
---	---

Subject Matter Expert

Name	Department
	Escalator Department

About Spare Parts Leaflets...

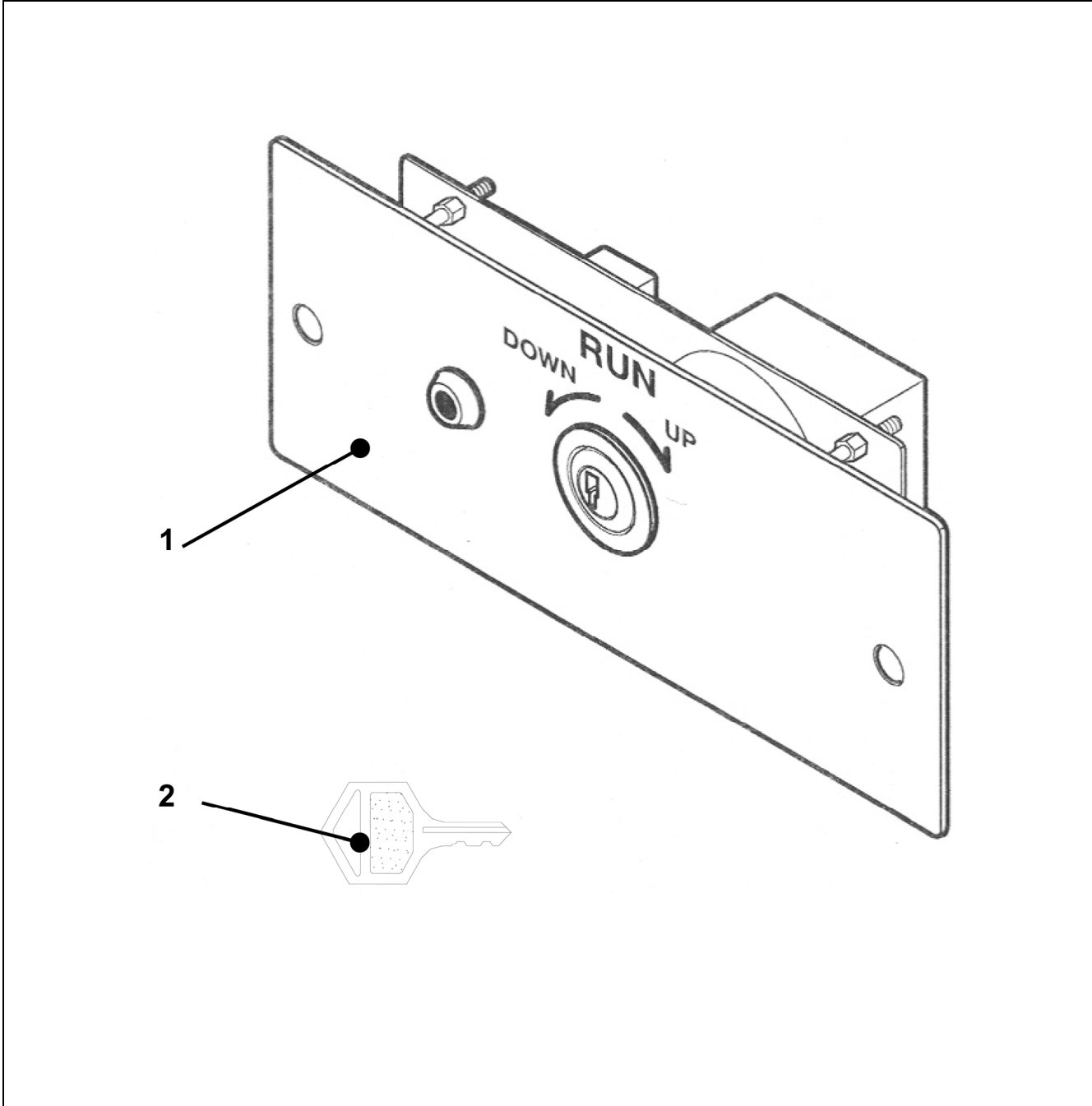
This document lists the lowest replaceable units (LRUs) for the standard version of the product. The LRUs are chosen by a team of Otis associates representing engineering and manufacturing.

While goal of this document is to make parts identification as easy as possible, the document cannot be all-inclusive. Elevator and escalator contracts classified as "special" or "custom" are not addressed here. For such contracts, please refer to specified information, the contract folder, TIPs, Field Education Articles, Construction Letters, etc. for further information.

If you have any suggestions about this document, please contact the subject matter expert listed on this page.

OCE521 Escalator Keyswitch Assembly

32-ASA03C362



W/O VINTAGE		
REF. No.	PART No.	DESCRIPTION
1	ASA01B540A	Keyswitch Assembly
2	ASG00C626B	Key