

PARTS LEAFLET

DISPOSITIVO DE PARADA E PARTIDA-NAO
(STARTING/STOP DEVICE - NAO)

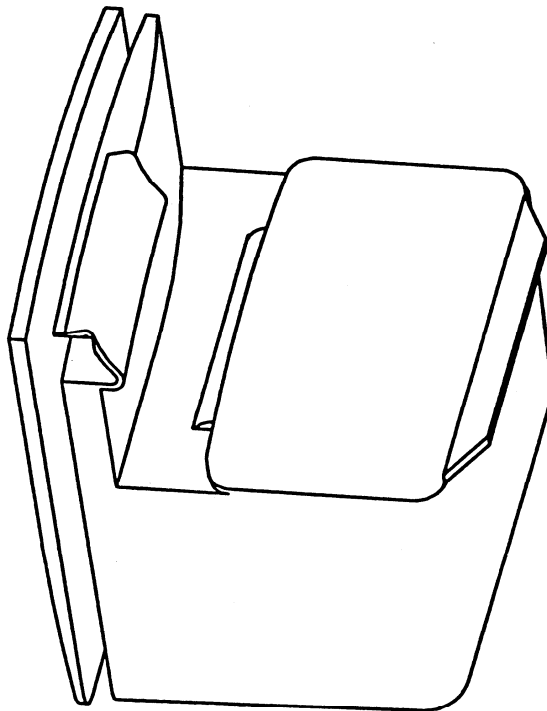
32-BAA26200AE

UBSL 600/1000

PAGE : 1/4

DATA / DATE

DEZEMBRO 1994/ DECEMBER 1994



OTIS

OTIS

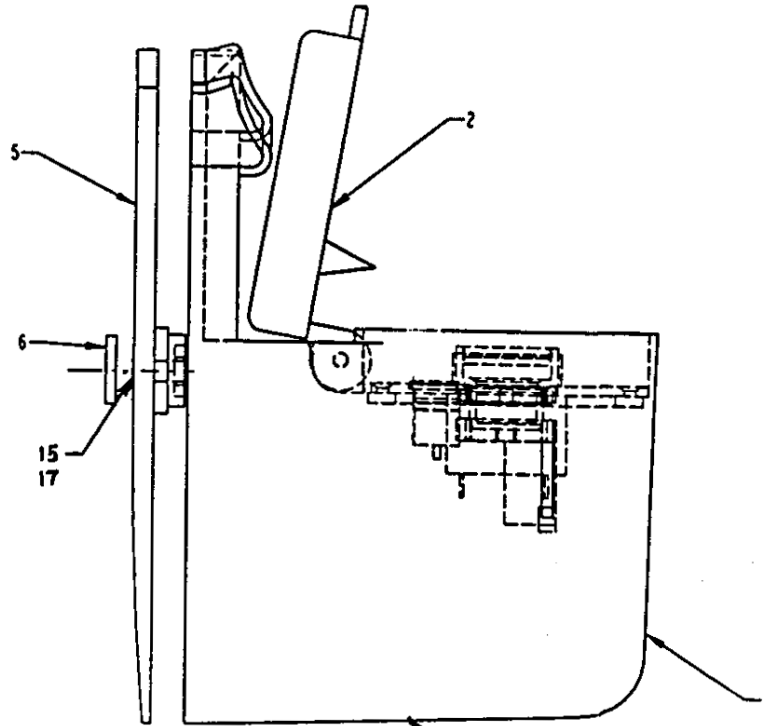
PARTS LEAFLET

32-BAA26200AE

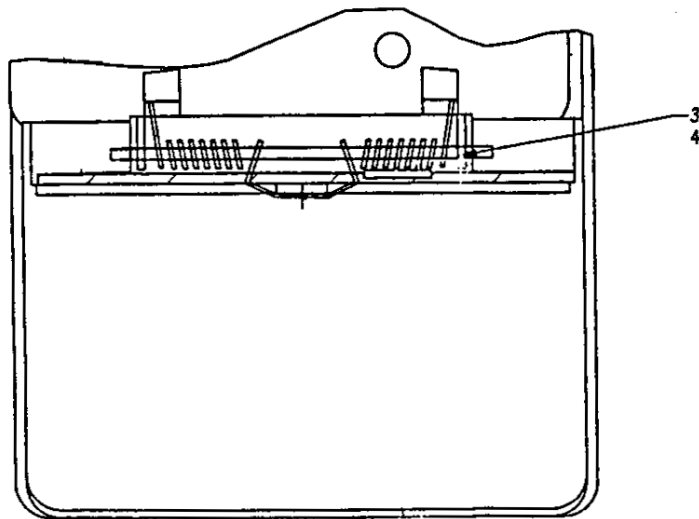
SAO BERNARDO DO CAMPO
ENGINEERING DEPARTMENT

DISPOSITIVO DE PARADA E PARTIDA ESC.ROL.UBSL NAO
(STARTING/STOP DEVICE ESCALATOR UBSL NAO)

PAGE 2 / 4
DATE 94/DEC/15



32 BAA26200AE
B VINTAGE B 01



r REVISION

PREVIOUS DATE:

OTIS

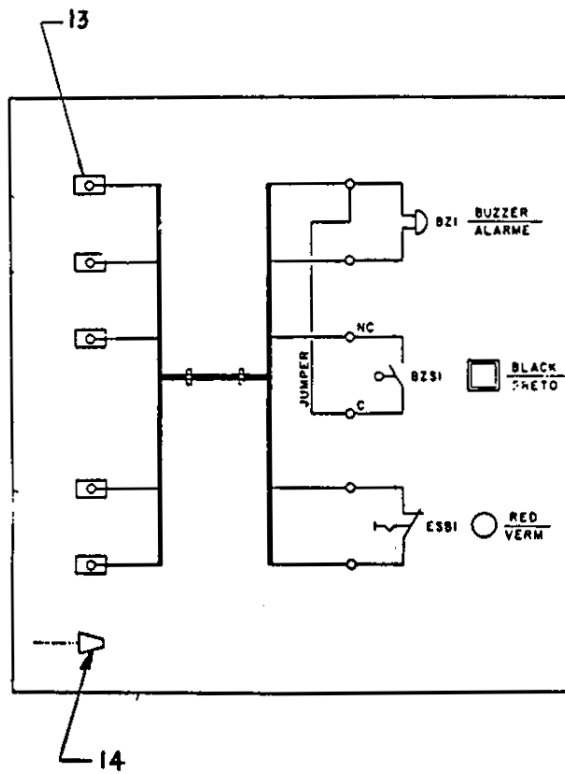
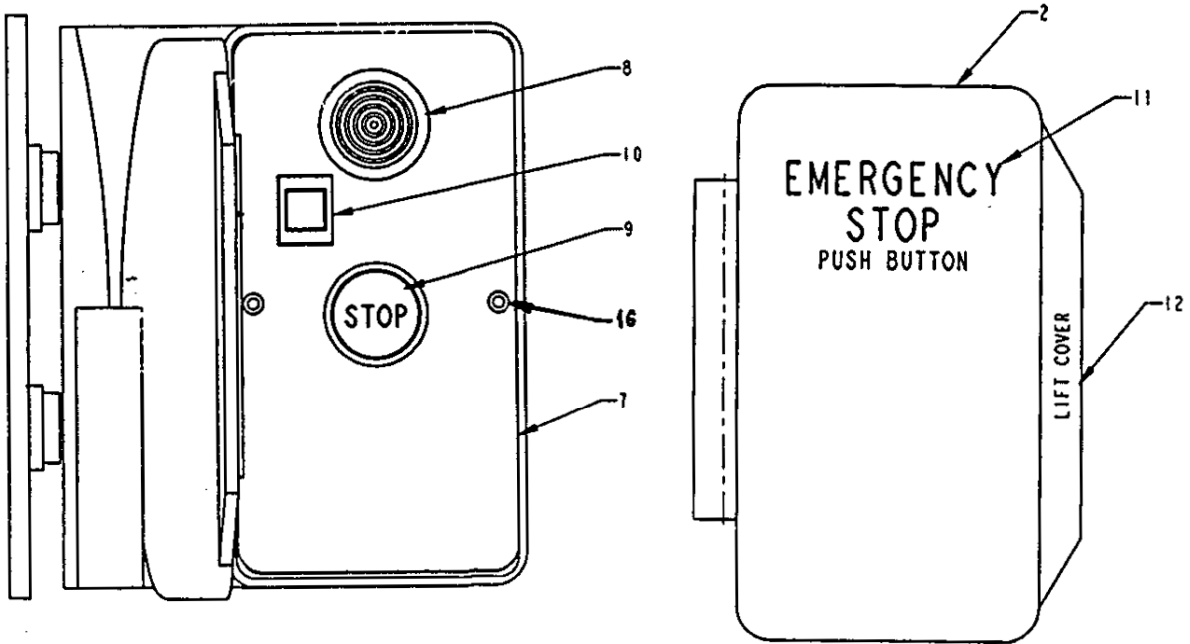
PARTS LEAFLET

32-BAA26200AE

SAO BERNARDO DO CAMPO
ENGINEERING DEPARTMENT

DISPOSITIVO DE PARADA E PARTIDA ESC.ROL.UBSL NAO
(STARTING/STOP DEVICE ESCALATOR UBSL NAO)

PAGE 3 / 4
DATE 94/DEC/15



REVISION

PREVIOUS DATE:

OTIS SAO BERNARDO DO CAMPO ENGINEERING DEPARTMENT	PARTS LEAFLET	32-BAA28200AE
	DISPOSITIVO DE PARADA E PARTIDA ESC. ROL. UBSL —NAO STARTING/STOP DEVICE ESCALATOR UBSL — NAO	PAGE 4 / 4 DATE 94 / DEC / 15

VINTAGE B01		
REF. NUM.	DESCRICAO DESCRIPTION	PARTE NUMERO PART OR ML
1	CAIXA (HOUSING)	GO308HSI
2	TAMPA (COVER)	GO346NS1
3	MOLA (SPRING)	BAA94CI
4	EIXO (AXLE)	GO5G02CVI
5	TAMPA (COVER)	GO147KBI
6	CAPA (COVER)	GO329AB1
7	PLACA FACE (FACE PLATE)	BAAI47T2
8	CONGO (BUZZER)	BAA311D1
9	BOTAO DE PARADA (STOP BUTTON)	BAA323D9
10	CHAVE DO BUZZER (SWITCH BUZZER) -	AAA635F2
11	PLACA (LABEL) -	GO102YMI
12	PLACA (LABEL)	GO102YM2
13	CONECTOR (CONNECTOR)	BAA176H1
14	CONECTOR (CONNECTOR)	BAA176F1
15	PFFS F S M6x20 DIN 933 ZN (SCREW M6x20 DIN 933 ZN)	40SD184680
16	PFFE AN3xI2 DIN 965 ZN PRETO (SCREW A143x12 DIM 965 ZN BLACK)	40ED180155
17	AR FE PAR A6.4 DIN 125 ZN (WASHER)	03PB181400
REVISION		PREVIOUS DATE: