

PARTS LEAFLET

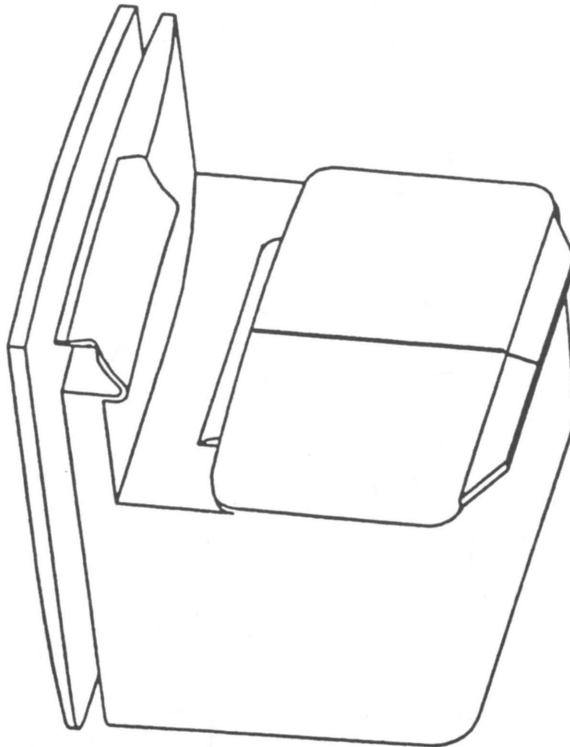
CAIXA DA BOTOEIRA ESC.ROL.UBSL - NAO
NOVA IORQUE
STARTING/STOP DEVICE ESC.UBSL - NAO
NEW YORK

32-BAA26200AV

PAGE : 1/5

DATA / DATE

DEZEMBRO 1994/ DECEMBER 1994



OTIS

OTIS

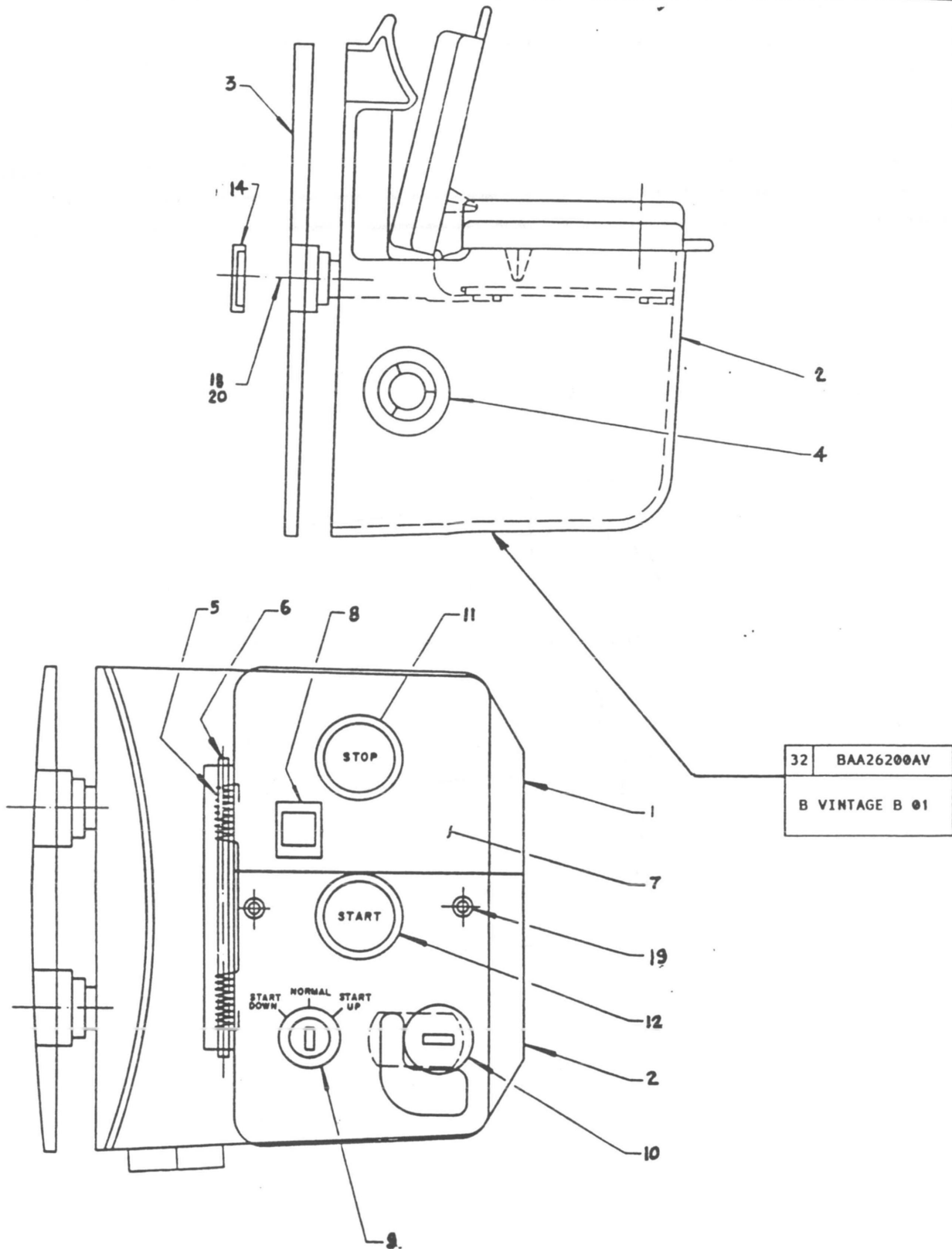
PARTS LEAFLET

32-BAA26200AV

SAO BERNARDO DO CAMPO
ENGINEERING DEPARTMENT

CAIXA DA BOTOEIRA ESC.ROL. UBSL - MAO - NOVA IORQUE
(STARTING/STOP DEVICE ESCALATOR UBSL - MAO - NEW YORK)

PAGE 2 / 5
DATE 94/DEC/15



REVISION

PREVIOUS DATE:

OTIS

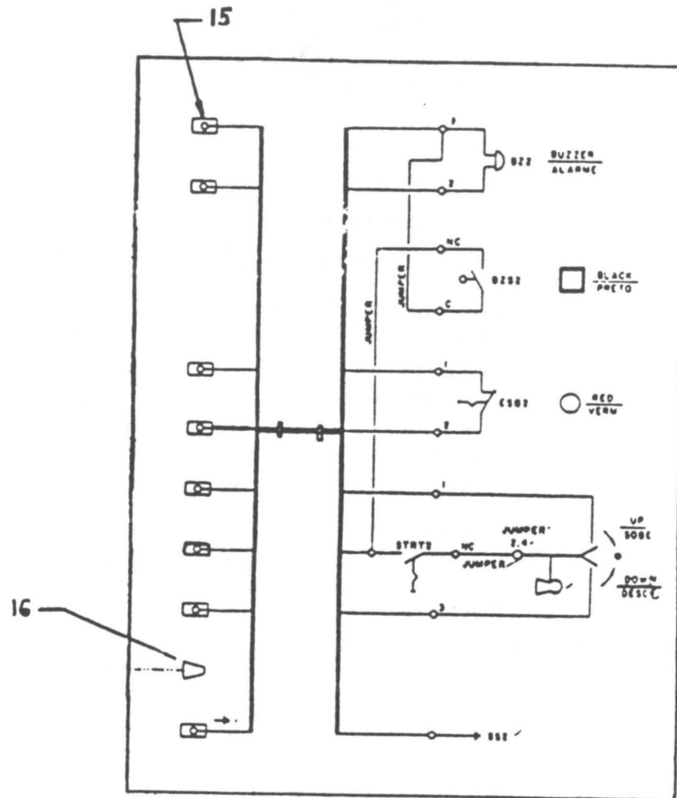
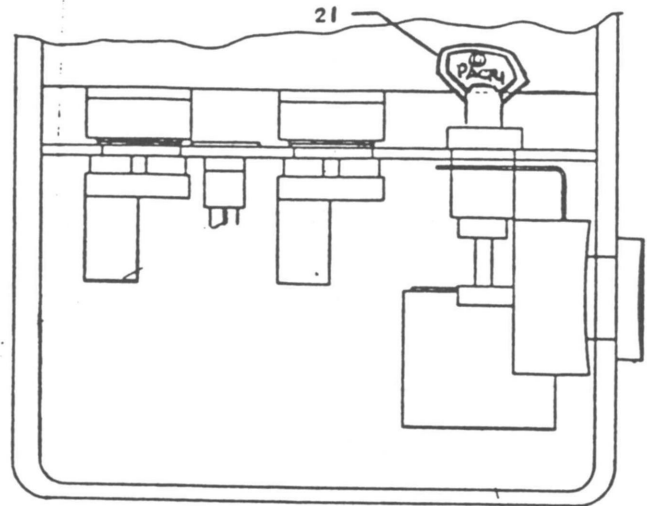
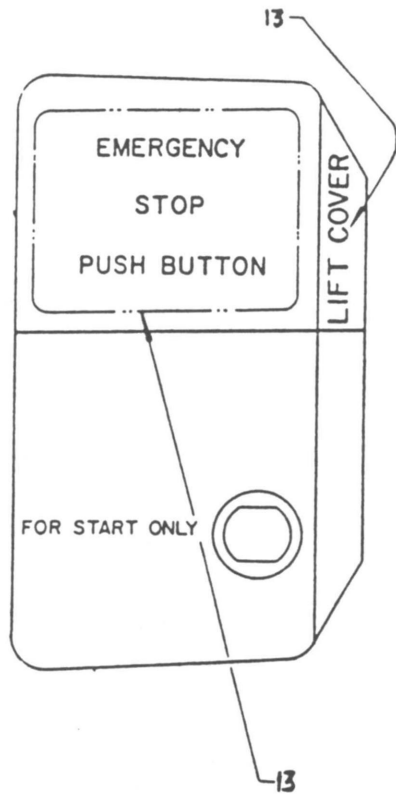
PARTS LEAFLET

32-BAA26200AV

SAO BERNARDO DO CAMPO
ENGINEERING DEPARTMENT

CAIXA DA BOTOEIRA ESC.ROL. UBSL - NAO - NOVA IORQUE
(STARTING/STOP DEVICE ESCALATOR UBSL - NAO - NEW YORK)

PAGE 3 / 5
DATE 94/DEC/15



REVISION

PREVIOUS DATE:

OTIS

PARTS LEAFLET

32-BAA26200AV

SAO BERNARDO DO CAMPO
ENGINEERING DEPARTMENT

DISPOSITIVO DE PARADA E PARTIDA ESC. ROL. UBSL -NAO
STARTING/STOP DEVICE ESCALATOR UBSL - NAO

PAGE 4 / 5
DATE 94/DEC/15

VINTAGE B01

REF. NUM.	DESCRICAO DESCRIPTION	PARTE NUMERO PART OR ML
1	TAMPA (COVER)	AAA346ATZ1 / AAA346ATZ2
2	CAIXA (HOUSING)	G0308HS1
3	TAMPA (APPEARANCE COVER)	G0147KB1
4	GONGO (BUZZER)	BAA311D1
5	MOLA (SPRING)	BAA94C1
6	EIXO (AXLE)	G0502CV1
7	PLACA FACE (FACE PLATE)	BAA147T1
8	CHAVE DO BUZZER (SWITCH BUZZER)	AAA635F2
9	CHAVE DE PARTIDA (KEY STARTING ASSY)	BAA634A5
10	FECHO (CAMLOCK)	AAA00431AAC6
11	BOTAO DE PARADA (VERMELHO) (STOP BUTTON RED)	BAA323D9
12	BOTAO DE PARTIDA (VERDE) (START BUTTON GREEN)	BAA323D1
13	PLACA (LABEL)	G0102YM1 / G0102YM2
14	CAPA (COVER)	G0329AB1
15	CONECTOR (CONNECTOR)	BAA176H1
16	CONECTOR (CONNECTOR)	BAA176F1

REVISION

PREVIOUS DATE:

OTIS

PARTS LEAFLET

32-BAA26200AV

SAO BERNARDO DO CAMPO
ENGINEERING DEPARTMENT

DISPOSITIVO DE PARADA E PARTIDA ESC. ROL. UBSL -MAO
STARTING/STOP DEVICE ESCALATOR UBSL - MAO

PAGE 5 / 5
DATE 94/DEC/15

REF. NUM.	DESCRICAO DESCRIPTION	PARTE NUMERO PART OR ML
18	PFFS FS M6x20 DIN 933 ZN (SCREW)	40SD184680
19	PFFE AM 3x12 DIN 965 ZN PRETO (SCREW AM 3x12 DIN 965 ZN BACK)	40ED180155
20	AR FE PAR A6.4 DIN 125 ZN (WASHER)	03PB181400
21	CHAVE (KEY)	BAA194B1

REVISION

PREVIOUS DATE:

