

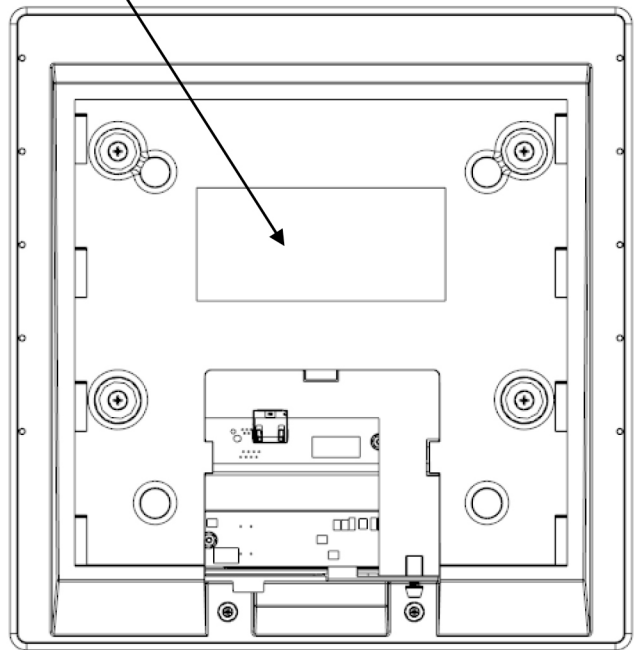
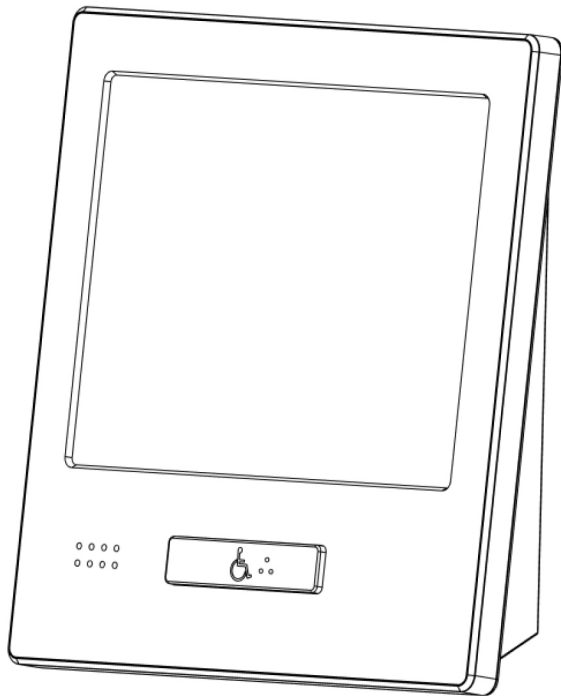
**NGH Passenger Interface,
CompassPlus® Fixture Refresh
Angle Mount Touch Screen**

Spare Parts Leaflet

32-DAA23503B

June 19, 2024 / Page 1 of 4

32 R-DAA23503B



OTIS

This document does not contain any technical data subject to EAR or ITAR

**SERVICE ENGINEERING
Otis Elevator Company
ESSI, SHANGHAI**

Unpublished Work—© Otis Elevator Co.; 2024

Leaflet Description

This leaflet summarizes the CompassPlus Refresh Fixture Destination Entry Computer (DEC) touchpad.

Leaflet Revisions

Date Revised	Subject Matter Expert	Reason for Revision
28-June-2017	Dengshuai Li	New SPL
31-Aug-2017	Dengshuai Li	Delete third page, removed the RFID logo
June 19, 2024	Vadzim Fedarenka	Added images with mounting dimensions on p. 3.

Related Drawings

Drawing No.	Title	Drawing No.	Title
DAA23503C	Compass Plus Refresh Fixture Flush Mount Touch Pad	AAA29000AG	NGH Passenger Interface, System Level
DAA23503D	Compass Plus Refresh Fixture Flush Mount Touch Screen	AAA25300AK	Compass controller

Related Documents

Document ID	Title
SPL 40-AAA29000AG	System Level SPL Compass Destination Dispatching
SPL 10-AAA25300AK	Compass Controller
DAA23503B_FMI	Compass Plus Refresh Fixture Angle Mount Touch Screen FMI

Subject Matter Expert

Name	Department
Dengshuai Li	ESSI, Shanghai, China

About Spare Parts Leaflets...

This document lists the lowest replaceable units (LRUs) for the standard version of the product. The LRUs are chosen by a team of Otis associates representing engineering and manufacturing.

While goal of this document is to make parts identification as easy as possible, the document cannot be all-inclusive. Elevator and escalator contracts classified as "special" or "custom" are not addressed here. For such contracts, please refer to specified information, the contract folder, TIPs, Field Education Articles, Construction Letters, etc. for further information.

If you have any suggestions about this document, please contact the subject matter expert listed on this page.

Touch Screen

32-DAA23503B

Numbering system (only for OSC & Berlin SSI):

DAA23503B * * * - * - * - *



NOTE:

- When ordering replace the asterisks (*) referenced in each part number with the appropriate character from table 1.

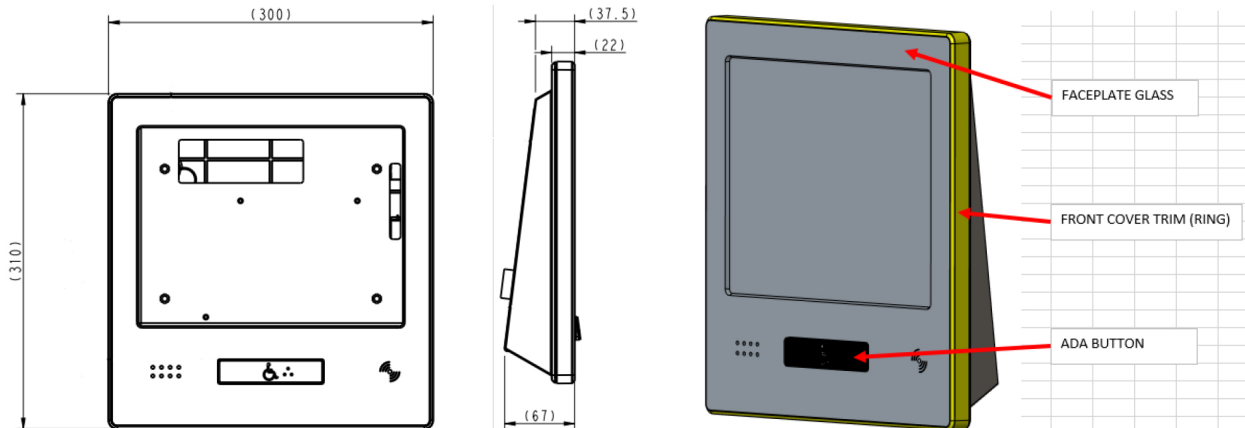
Table 1

Base Part Number	Parametric Numbering				Color Combination				
DAA23503B	***				—	*—*—*			
Parameter Description	***	RFID	ADA Type (NOTE 1)	Mounting Type (NOTE 2)	*—*—*	DEFAPC (NOTE 3)	DEADAC (NOTE 4)	DEFRCC (NOTE 5)	
VALUE	999	YES	BACKL	WALLNA	—	1—1—1	BLACK	BLACK	BLACK
	998	YES	BACKL	WALLPED	—	1—1—2	BLACK	BLACK	SILVER
	997	YES	NOBACKL	WALLNA	—	1—1—3	BLACK	BLACK	GOLD
	996	YES	NOBACKL	WALLPED	—	2—2—2	SILVER	SILVER	SILVER
	995	YES	SANFR	WALLNA	—	2—2—1	SILVER	SILVER	BLACK
	994	YES	SANFR	WALLPED	—	3—3—3	GOLD	GOLD	GOLD
	993	NO	BACKL	WALLNA	—	3—3—1	GOLD	GOLD	BLACK
	992	NO	BACKL	WALLPED	—	4—2—2	WHITE	SILVER	SILVER
	991	NO	NOBACKL	WALLNA	—	1—2—2	BLACK	SILVER	SILVER
	990	NO	NOBACKL	WALLPED	—	2—1—2	SILVER	BLACK	SILVER
	989	NO	SANFR	WALLNA	—	3—1—3	GOLD	BLACK	GOLD
	988	NO	SANFR	WALLPED	—	2—1—1	SILVER	BLACK	BLACK
						—	4—1—1	WHITE	BLACK

NOTES:

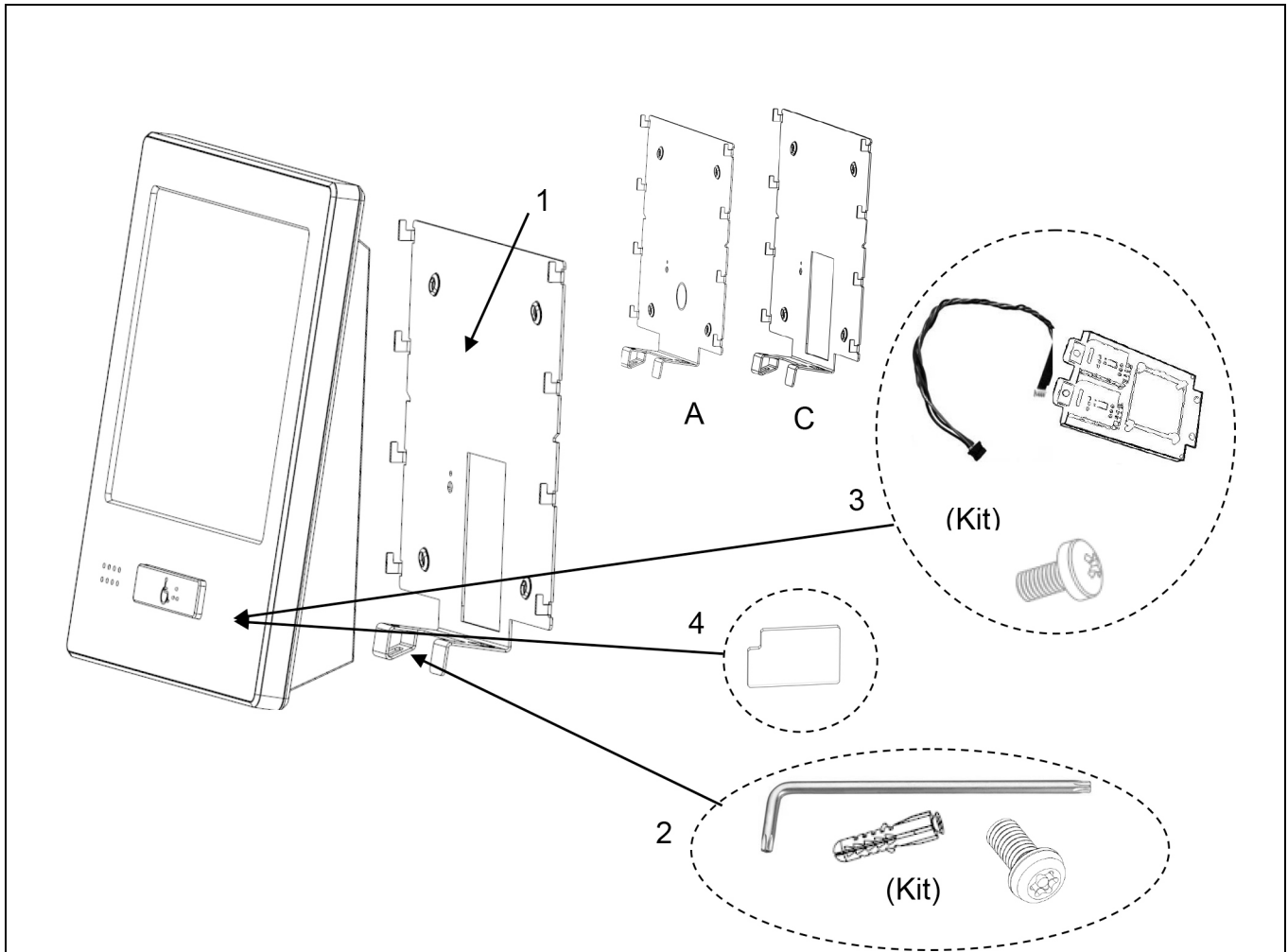
- BACKL means with backlight, NOBACKL means without backlight, SANFR means San Francisco style button.
- WALLPED means “A” type mounting plate (with slotted), WALLNA means “C” type mounting plate (with conduit fitting). The difference between “C” type and “A” type see the picture on page4.
- DEFAPC: Faceplate glass color.
- DEADAC: ADA button color.
- DEFRCC: Front cover trim color.

Example1: DAA23503B999-1-1-1 means this fixture type is Touchscreen, with RFID reader, with backlight, with WALLNA (“A” type mounting plate), faceplate glass color black, ADA button color black, front cover trim color black.



Touch Screen

32-DAA23503B



DAA23503B			
REF. No.	PART No.	DESCRIPTION	Remark
1	DAA285FX999	Wall Mounting Plate-A (NAA Type Wall Mount) w/Conduit Mount	
	DAA285FX998	Wall Mounting Plate-C (with Slot)	
2	DAA23851C1	Tamper Proof Screw & Expansion Screws & Tool	👁️ Note1
3	DAA23851D1	RFID Reader & Cable & Screw	👁️ Note2
4	HAA429S1	Lining	👁️ Note3

Notes:

1. Kit = Tamper proof screw & expansion screws & tool.
2. Kit = RFID reader PCB & cable & (4) M2.5x5 pan head screws.
3. The lining is only needed for the black, silver, and gold glass (if silver and gold glass have clear logo). It is not needed for white glass.