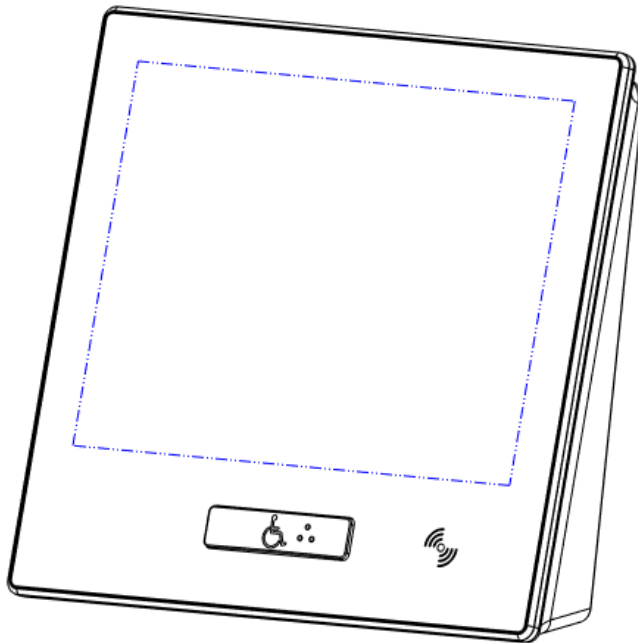


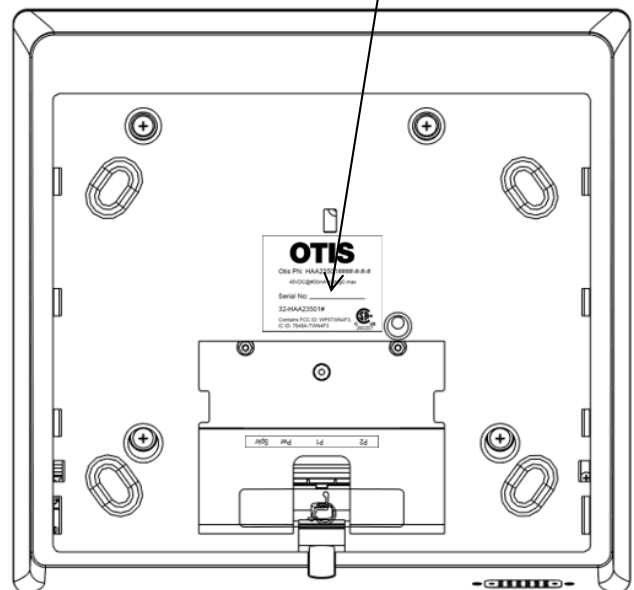
Compass® 360 Angle Mount Touch Screen

Spare Parts Leaflet 32-HAA23501D

24-Jan-2019 / Page 1 of 4



32 H-HAA23501D



Unpublished Work—© Otis Elevator Co.; 2019

OTIS

Safety First!

SERVICE ENGINEERING
Otis Elevator Company
CEC Shanghai & Korea

Leaflet Description

This leaflet summarizes the Compass®360 Angle Mount Touch Screen.

Leaflet Revisions

| Date Revised | Subject Matter Expert | Reason for Revision |
|---------------------|------------------------------|----------------------------|
| 24-Jan-2019 | Shanghua Yang | New SPL |
| | | |

Related Drawings

| Drawing No. | Title | Drawing No. | Title |
|--------------------|-----------------------------------|--------------------|--------------------------------------|
| HAA23501C | Compass®360 Angle Mount Touch Pad | HAA23501D | Compass®360 Angle Mount Touch Screen |
| HAA23501E | Compass®360 Flush Mount Touch Pad | HAA23501F | Compass®360 Flush Mount Touch Screen |
| AAA25300AV | Compass®360 controller | | |

Related Documents

| Document ID | Title |
|--------------------|------------------------|
| SPL 10-AAA25300AV | Compass®360 controller |
| | |
| | |

Subject Matter Expert

| Name | Department |
|---------------|----------------------|
| Shanghua Yang | CEC Shanghai & Korea |

About Spare Parts Leaflets...

This document lists the lowest replaceable units (LRUs) for the standard version of the product. The LRUs are chosen by a team of Otis associates representing engineering and manufacturing.

While goal of this document is to make parts identification as easy as possible, the document cannot be all-inclusive. Elevator and escalator contracts classified as “special” or “custom” are not addressed here. For such contracts, please refer to specified information, the contract folder, TIPs, Field Education Articles, Construction Letters, etc. for further information.

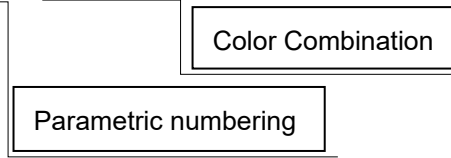
If you have any suggestions about this document, please contact the subject matter expert listed on this page.

Touch Screen

32-HAA23501D

Numbering system (only for OSC & Berlin SSI):

HAA23501D * * * - * - * - *



NOTE: When ordering replace the asterisks (*) referenced in each part number with the appropriate character from table 1.

Table 1

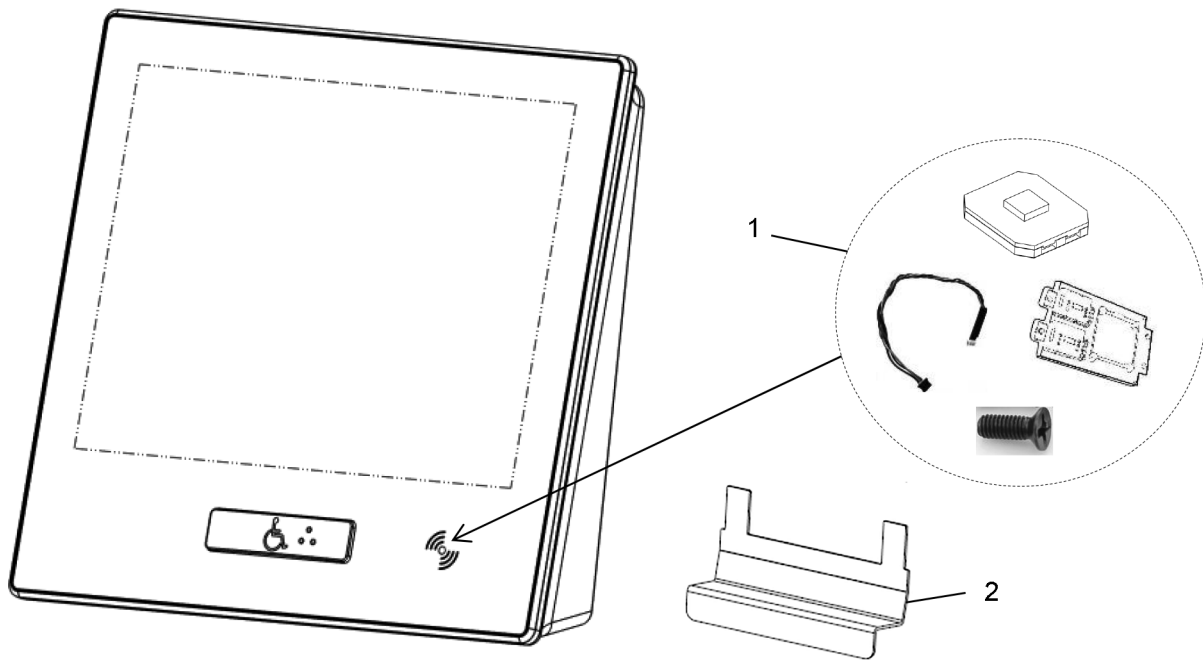
| Base part number | | | | | Color Combination | | | |
|-----------------------|-----|------|--------------------------|-------|-------------------|-----------------------|------------------|-------------------|
| HAA23501D*** | | | | - | *_*_* | | | |
| Parameter Description | *** | RFID | ADA type ^{note} | | *_*_* | Faceplate glass color | ADA button color | Front cover color |
| Value | 999 | Yes | Standard | - | 1-1-1 | Black | Black | Black |
| | 998 | Yes | SF Button | | 1-1-2 | Black | Black | Silver |
| | 997 | Yes | No | | 1-1-3 | Black | Black | Gold |
| | 996 | No | Standard | | 2-2-2 | Silver | Silver | Silver |
| | 995 | No | SF Button | | 2-2-1 | Silver | Silver | Black |
| | 994 | No | No | | 3-3-3 | Gold | Gold | Gold |
| | | | | | 3-3-1 | Gold | Gold | Black |
| | | | | | 4-2-2 | White | Silver | Silver |
| | | | | | 1-2-2 | Black | Silver | Silver |
| | | | | | 2-1-2 | Silver | Black | Silver |
| | | | | 3-1-3 | Gold | Black | Gold | |


NOTE: ADA type: “Standard” means the button without angle, “SF Button” means the button with a nine degree angle, “NO” means without ADA button.

Example1: HAA23501D999-1-1-1 means this fixture type is Touch Screen, with “RFID reader”, with “Standard” button, Faceplate glass color is black, ADA button color is black, Front cover color is black.

Touch Screen

32-HAA23501D



| HAA23501D | | |
|-----------|------------|--|
| REF. No. | PART No. | DESCRIPTION |
| 1 | HAA27801A2 | RFID reader  Note |
| 2 | HAA634L1 | Tool, Open |

Note: Kit=RFID reader PCB + cable + (4) M2X5 Cross recessed countersunk flat head screws+ off-board LED.