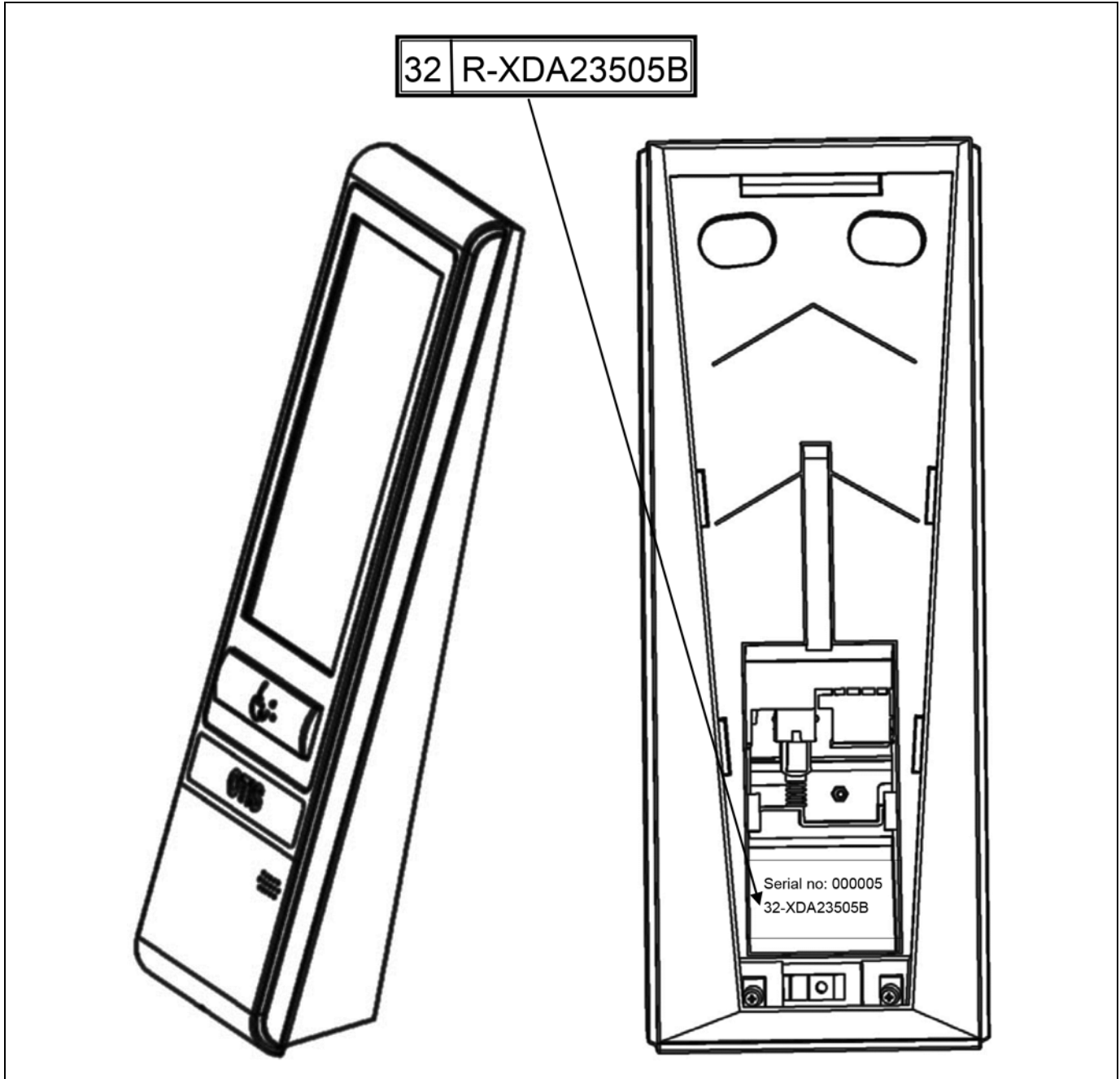


NGH Passenger
Interface,
CompassPlus® Touchpad

Spare Parts Leaflet
32-XAA23505B

July 16, 2016 / Page 1 of 5



OTIS

SERVICE ENGINEERING
Otis Elevator Company
Bloomfield, Connecticut USA

Unpublished Work—© Otis Elevator Co.; 2016

Leaflet Description

This leaflet summarizes the CompassPlus Destination Entry Computer (DEC) touchpad.

Leaflet Revisions

Date Revised	Subject Matter Expert	Reason for Revision
22-Nov-2013	JianJian Fang	New SPL
10-May-2014	PiSong Wen	Updated the Logo plate option (add some notes)
14-Jun-2016	LongLong Zhou	Updated SPL based upon CompassPlus new design
16-Jul-2016	WeiHua Yuan	Updated the multiple table

Related Drawings

Drawing No.	Title	Drawing No.	Title
XCA23505A	CompassPlus Keypad	AAA29000AG	NGH Passenger Interface, System Level
XCA23505C	CompassPlus Touch Screen	AAA25300AK	Compass controller
AAA25300Y	NGH Passenger Interface Redirector		

Related Documents

Document ID	Title
SPL 40-AAA29000AG	System Level SPL Compass Destination Dispatching
SPL 10-AAA25300AK	Compass Controller
SPL 10-AAA25300Y	NGH Passenger Interface, Redirector

Subject Matter Expert

Name	Department
WeiHua Yuan	XOEC

About Spare Parts Leaflets...

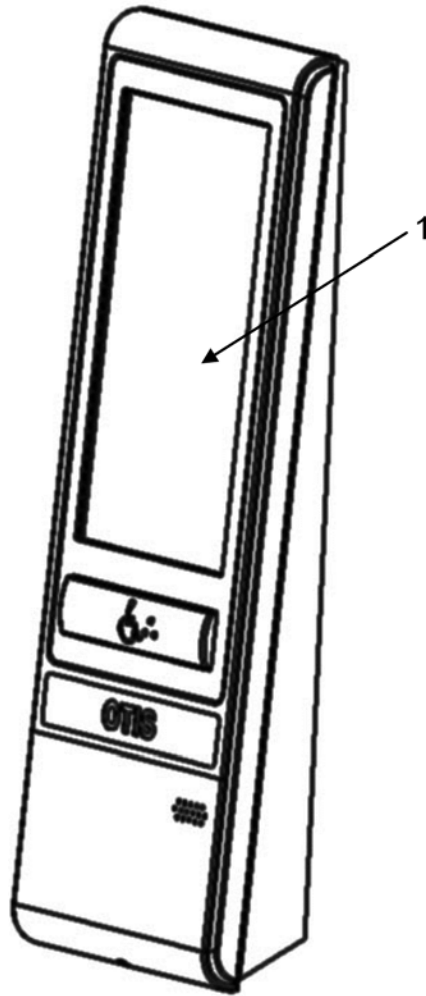
This document lists the lowest replaceable units (LRUs) for the standard version of the product. The LRUs are chosen by a team of Otis associates representing engineering and manufacturing.

While goal of this document is to make parts identification as easy as possible, the document cannot be all-inclusive. Elevator and escalator contracts classified as "special" or "custom" are not addressed here. For such contracts, please refer to specified information, the contract folder, TIPs, Field Education Articles, Construction Letters, etc. for further information.

If you have any suggestions about this document, please contact the subject matter expert listed on this page.

Touchpad

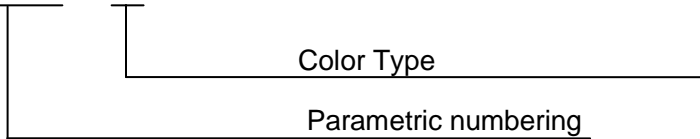
32-XAA23505B



32-XAA23505B

Touchpad

XDA23505B * * * - *



NOTES:

- When ordering replace the asterisks (*) referenced in each part number with the appropriate character from table 1.

Table 1

Base part number	Parametric numbering					Variable numbering	
XDA23505B	***					-	*
Parameter Description	***	Mounting Type ^{note1}	Otis Logo Plate ^{note2}	Security Interfaces	Button Type ^{note4}		Color Type
VALUE	999	WALLNA	YES	NO	BACKL	-	0 = BLACK 1 = SILVER
	998	WALLNA	YES	NO	NOBACKL		
	997	WALLNA	YES	NO	SANFR		
	996	WALLNA	YES	YES	BACKL		
	995	WALLNA	YES	YES	NOBACKL		
	994	WALLNA	YES	YES	SANFR		
	993	WALL,PEDESTAL,PEDESTALNA	YES	NO	BACKL		
	992	WALL,PEDESTAL,PEDESTALNA	YES	NO	NOBACKL		
	991	WALL,PEDESTAL,PEDESTALNA	YES	NO	SANFR		
	990	WALL,PEDESTAL,PEDESTALNA	YES	YES	BACKL		
	989	WALL,PEDESTAL,PEDESTALNA	YES	YES	NOBACKL		
	988	WALL,PEDESTAL,PEDESTALNA	YES	YES	SANFR		
	987	WALLNA	NO	NO	BACKL		
	986	WALLNA	NO	NO	NOBACKL		
	985	WALLNA	NO	NO	SANFR		
	984	WALLNA	NO	YES	BACKL		
	983	WALLNA	NO	YES	NOBACKL		
	982	WALLNA	NO	YES	SANFR		
	981	WALL,PEDESTAL,PEDESTALNA	NO	NO	BACKL		
	980	WALL,PEDESTAL,PEDESTALNA	NO	NO	NOBACKL		
	979	WALL,PEDESTAL,PEDESTALNA	NO	NO	SANFR		
	978	WALL,PEDESTAL,PEDESTALNA	NO	YES	BACKL		
	977	WALL,PEDESTAL,PEDESTALNA	NO	YES	NOBACKL		
	976	WALL,PEDESTAL,PEDESTALNA	NO	YES	SANFR		

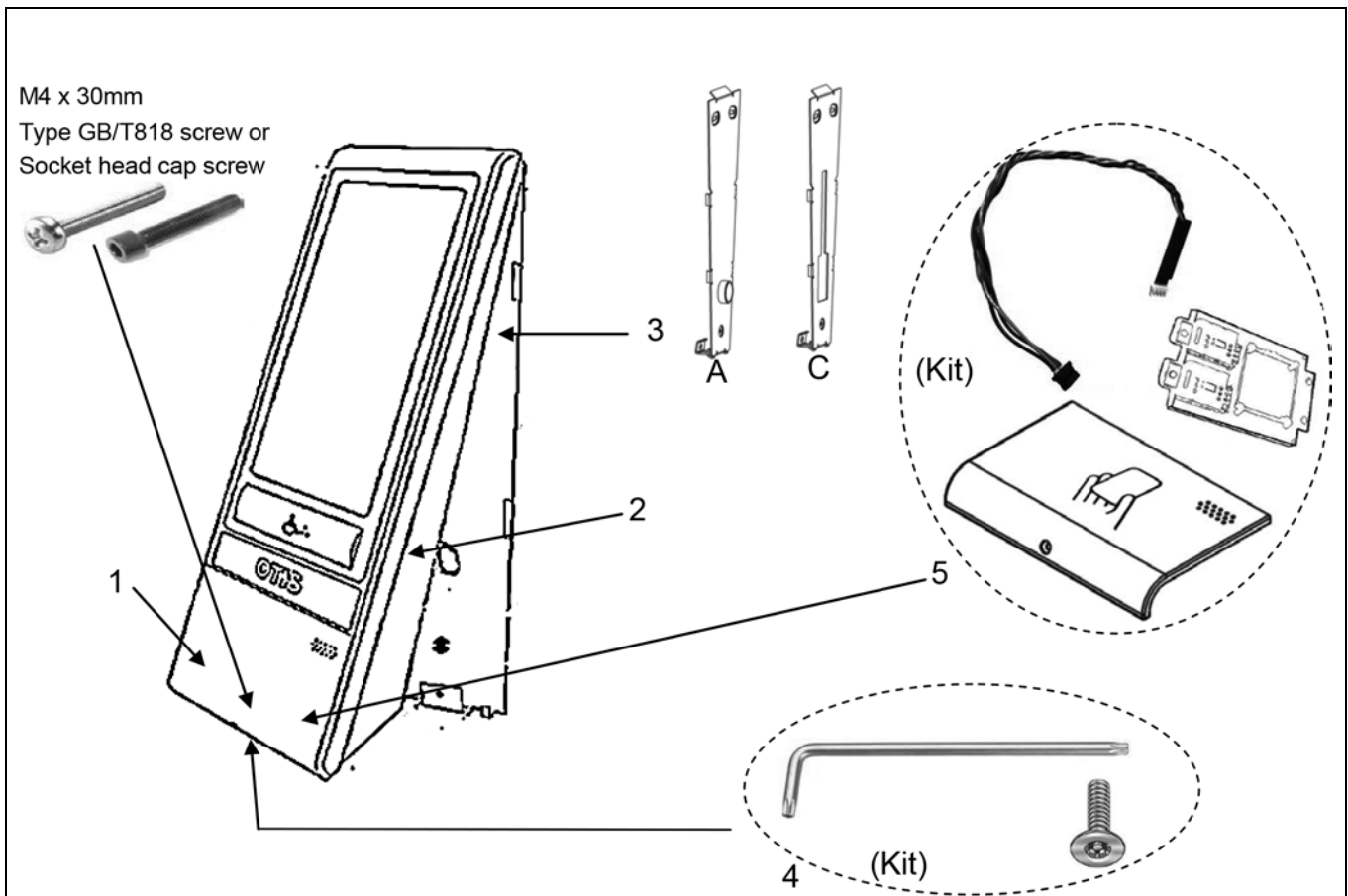
NOTES:



- WALL/PEDESTAL/PEDESTALNA means “C” type mounting plate (with slotted), WALLNA means “A” type mounting plate (with conduit fitting). The difference between “C” type and “A” type see the picture on page5.
- Standard option: Logo plate material is plastic;
- If you want the aluminum Logo plate, please contact CLC MP for nonstandard design.
- BACKL means with backlight, NOBACKL means without backlight, SANFR means San Francisco style button.

Example1: XDA23505B 999 - 0 means this fixture type is Touchpad, with WALLNA (“A” type mounting plate), with “OTIS” Logo, without RFID reader, “with backlight”, Black.

Touchpad

32-XAA23505B



REF. No.	PART No.	DESCRIPTION
	XAA23505B XDA23505B	
1	XBA147DM999-BLACK XBA147DM999-SILVER	Cover – aluminum
	XBA147DM998-BLACK XBA147DM998-SILVER	Cover – plastic
	XBA147DM997-BLACK XBA147DM997-SILVER	Cover – aluminum for San Francisco
	XBA147DM996-BLACK XBA147DM996-SILVER	Cover – plastic for San Francisco
2	XBA285CL999-BLACK XBA285CL999-SILVER	Back Cover
3	XBA285CJ1	Wall mounting plate – A (NAA type wall mount) w/conduit mount
	XBA285DG1	Wall mounting plate – C (with slotted)
4	XAA23851L1	Tamper proof screw & tool  Note1
5	XAA23851H999-BLACK XAA23851H999-SILVER	RFID reader (with cover)  Note2

NOTES:

1. Kit = Tamper proof screw + Tamper proof screw tool.
2. Kit = RFID reader PCB + cable + cover (plastic) + (4) M2x5 self-tapping screws.