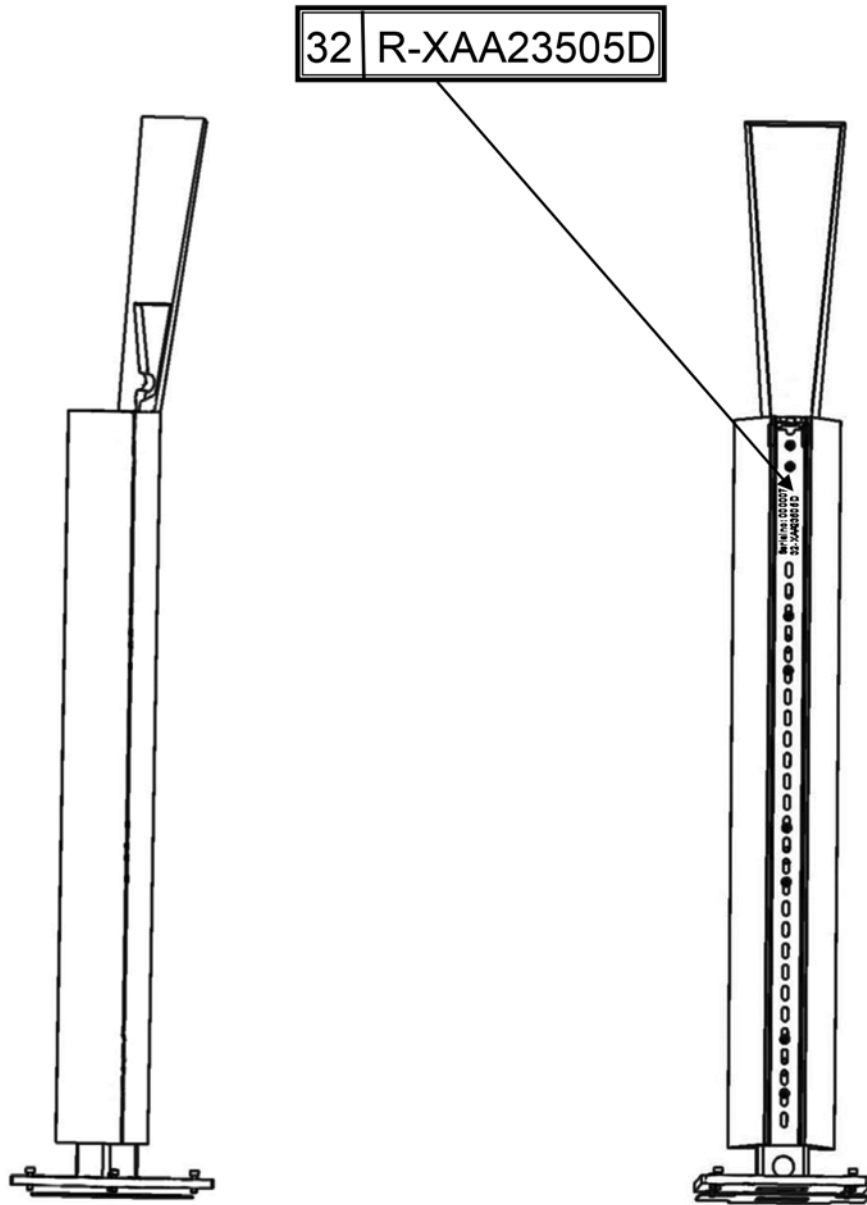


NGH Passenger  
Interface, CompassPlus®  
Small Pedestal

Spare Parts Leaflet  
32-XAA23505D

July 16, 2016 / Page 1 of 4



**OTIS**

SERVICE ENGINEERING  
Otis Elevator Company  
Bloomfield, Connecticut USA  
Unpublished Work—© Otis Elevator Co.; 2016

## Leaflet Description

This leaflet summarizes the CompassPlus Destination Entry Computer (DEC) small pedestal.

### Leaflet Revisions

Date Revised	Subject Matter Expert	Reason for Revision
22-Nov-2013	JianJian Fang	New SPL
16-Jun-2016	WeiHua Yuan	Modify the drawing number
16-Jul-2016	WeiHua Yuan	Modify the subject matter expert

### Related Drawings

Drawing No.	Title	Drawing No.	Title
XCA23505A	CompassPlus Keypad	AAA29000AG	NGH Passenger Interface, System Level
XDA23505B	CompassPlus Touchpad	AAA25300AK	Compass controller
AAA25300Y	NGH Passenger Interface Redirector		

### Related Documents

Document ID	Title
SPL 40-AAA29000AG	System Level SPL Compass Destination Dispatching
SPL 10-AAA25300AK	Compass Controller
SPL 10-AAA25300Y	NGH Passenger Interface, Redirector

### Subject Matter Expert

Name	Department
WeiHua Yuan	XOEC

### About Spare Parts Leaflets...

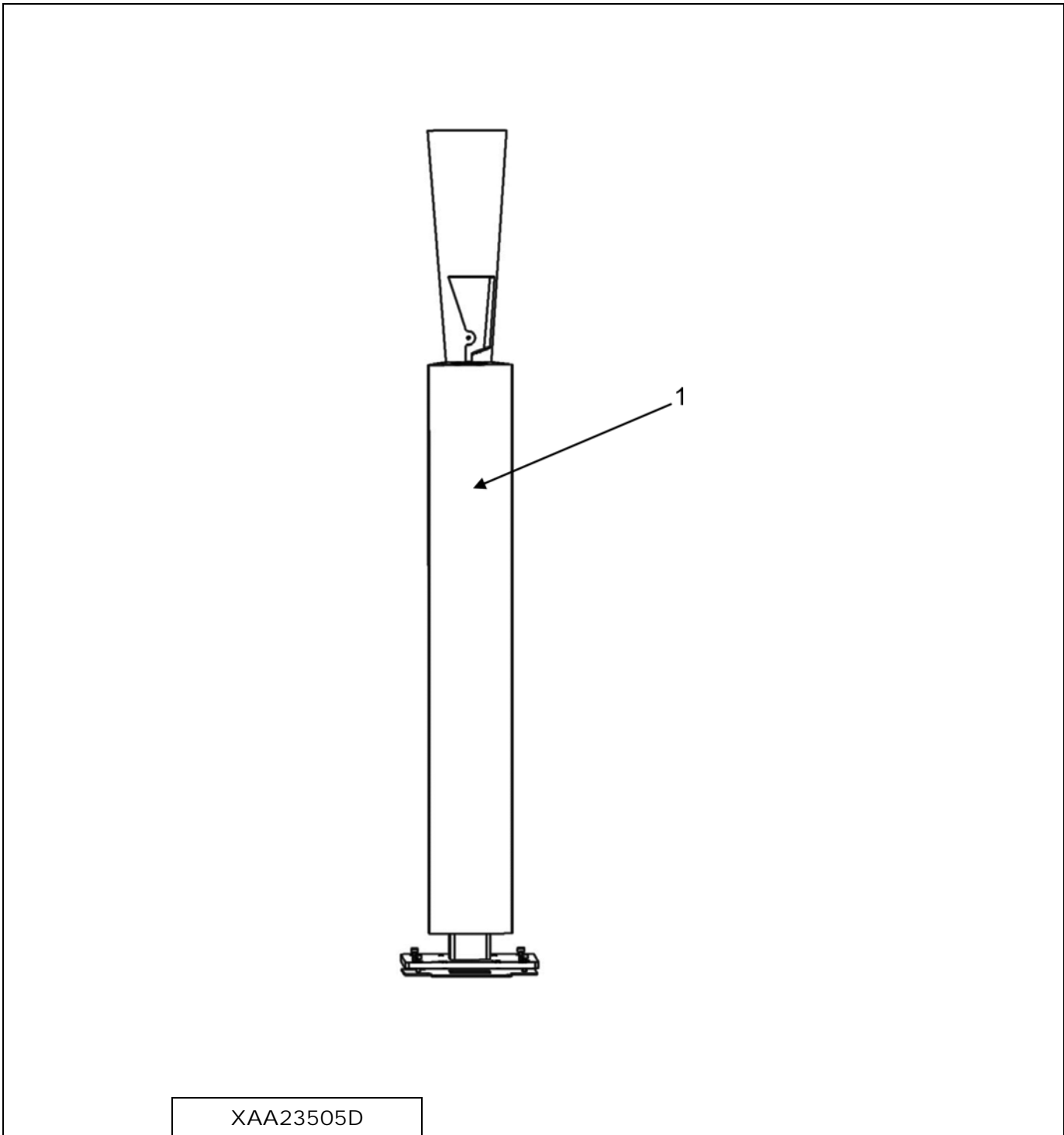
This document lists the lowest replaceable units (LRUs) for the standard version of the product. The LRUs are chosen by a team of Otis associates representing engineering and manufacturing.

While goal of this document is to make parts identification as easy as possible, the document cannot be all-inclusive. Elevator and escalator contracts classified as "special" or "custom" are not addressed here. For such contracts, please refer to specified information, the contract folder, TIPs, Field Education Articles, Construction Letters, etc. for further information.

If you have any suggestions about this document, please contact the subject matter expert listed on this page.

# Small Pedestal

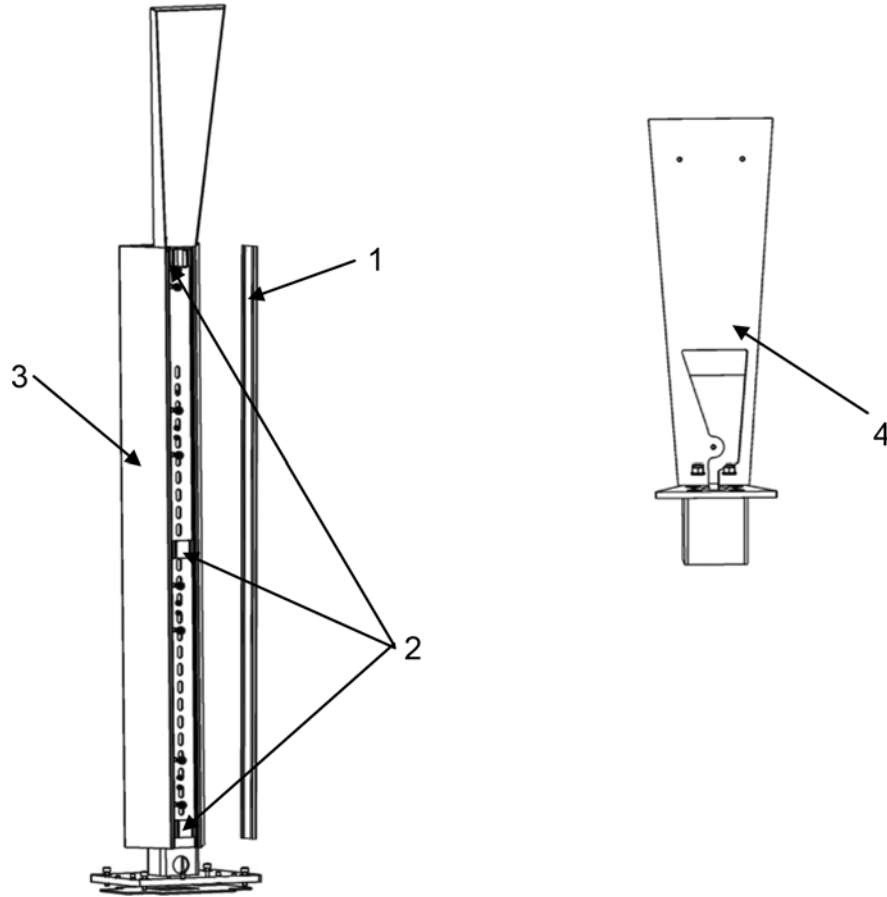
32-XAA23505D




REF. No.	PART No.	DESCRIPTION
1	XAA23505D999-BLACK/ XAA23505D999-SILVER	Small Pedestal

# Small Pedestal

32-XAA23505D



XAA23505D		
REF. No.	PART No.	DESCRIPTION
1	XAA50GW999-BLACK XAA50GW999-SILVER	Back profile-black
2	XAA308RL1	Clip  NOTE 1
3	XAA50GV999-BLACK XAA50GV999-SILVER	Aluminum profile
4	XAA50GT999-BLACK XAA50GT999-SILVER	Small pedestal top holder assembly

**NOTE:**

1. Four clips required to secure back profile.