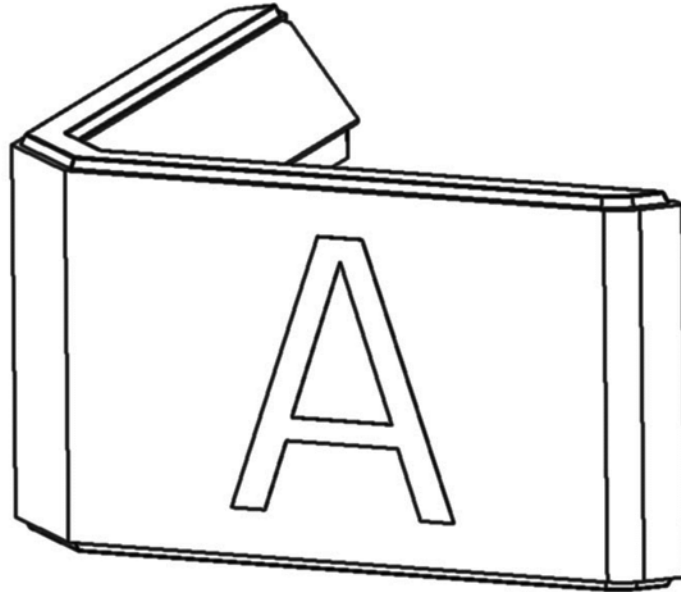


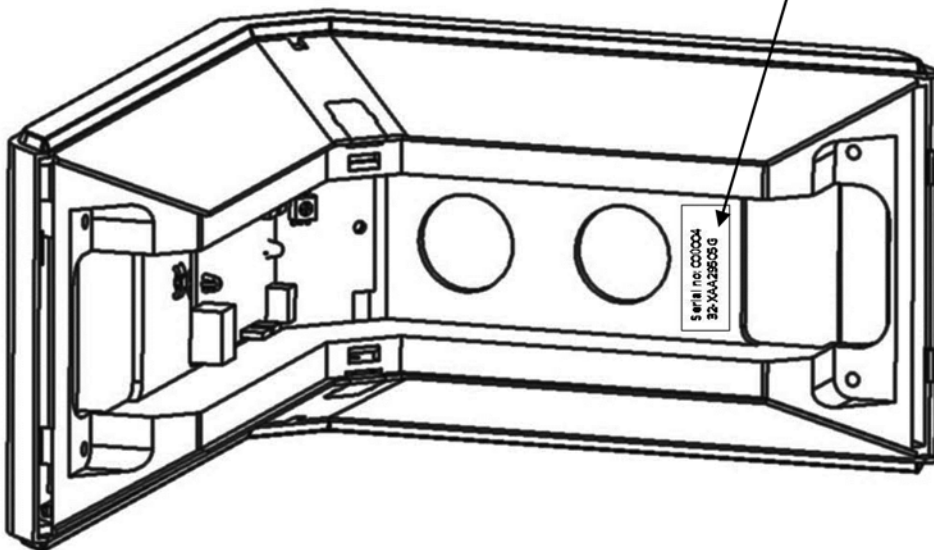
NGH Passenger  
Interface,  
CompassPlus® Signage

Spare Parts Leaflet  
32-XAA23505G

July 16, 2016 / Page 1 of 5



32 R-XBA23505G



**OTIS**

SERVICE ENGINEERING  
Otis Elevator Company  
Bloomfield, Connecticut USA

Unpublished Work—© Otis Elevator Co.; 2016

32-XAA23505G

# History

## Leaflet Description

This leaflet summarizes the CompassPlus (dynamic) signage.

### Leaflet Revisions

Date Revised	Subject Matter Expert	Reason for Revision
07-Nov-2013	JianJian Fang	New SPL
16-Jun-2016	WeiHua Yuan	Modify the drawing number
16-Jul-2016	WeiHua Yuan	Modify the subject matter expert & multiple parts tables

### Related Drawings

Drawing No.	Title	Drawing No.	Title
XCA23505A	CompassPlus keypad	AAA29000AG	NGH Passenger Interface, System Level
AAA25300Y	NGH Passenger Interface Redirector	AAA25300AK	Compass controller

### Related Documents

Document ID	Title
SPL 40-AAA29000AG	System Level SPL Compass Destination Dispatching
SPL 10-AAA25300AK	Compass Controller
SPL 10-AAA25300Y	NGH Passenger Interface, Redirector

### Subject Matter Expert

Name	Department
WeiHua Yuan	XOEC

### About Spare Parts Leaflets...

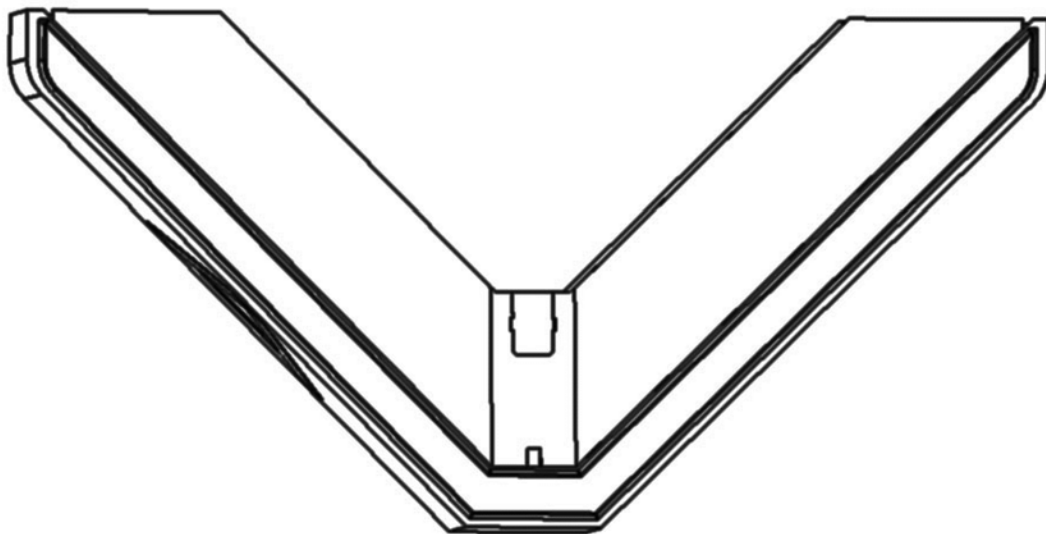
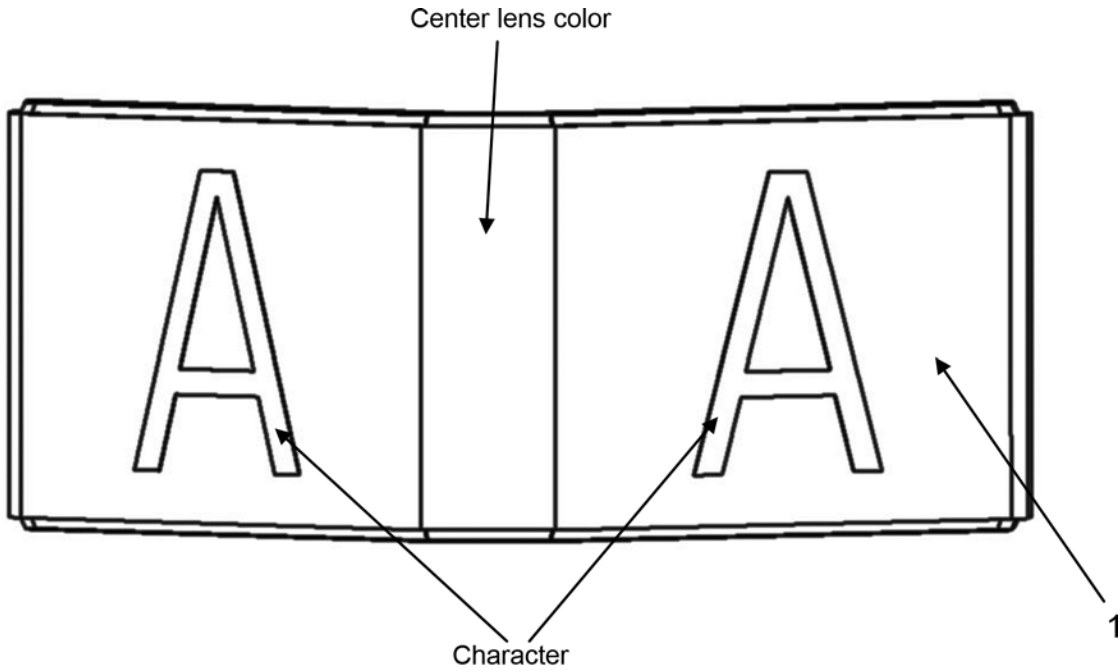
This document lists the lowest replaceable units (LRUs) for the standard version of the product. The LRUs are chosen by a team of Otis associates representing engineering and manufacturing.

While goal of this document is to make parts identification as easy as possible, the document cannot be all-inclusive. Elevator and escalator contracts classified as "special" or "custom" are not addressed here. For such contracts, please refer to specified information, the contract folder, TIPs, Field Education Articles, Construction Letters, etc. for further information.

If you have any suggestions about this document, please contact the subject matter expert listed on this page.

# Signage

32-XAA23505G

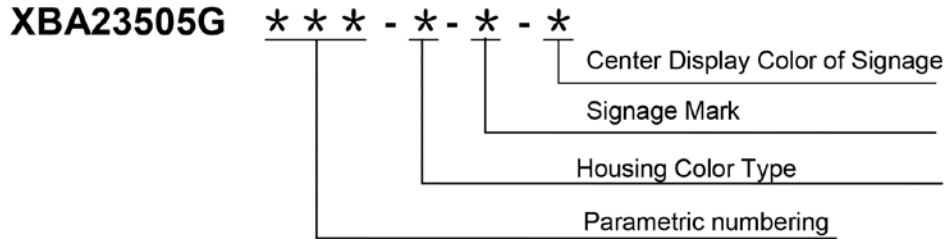


p. 4 for ordering Information

# Signage

32-XAA23505G

Numbering system (only for OSC & Berlin SSI) :



**NOTE:** When ordering replace the asterisks (\*) referenced in part numbers with the appropriate character from table 1.

**Table 1**

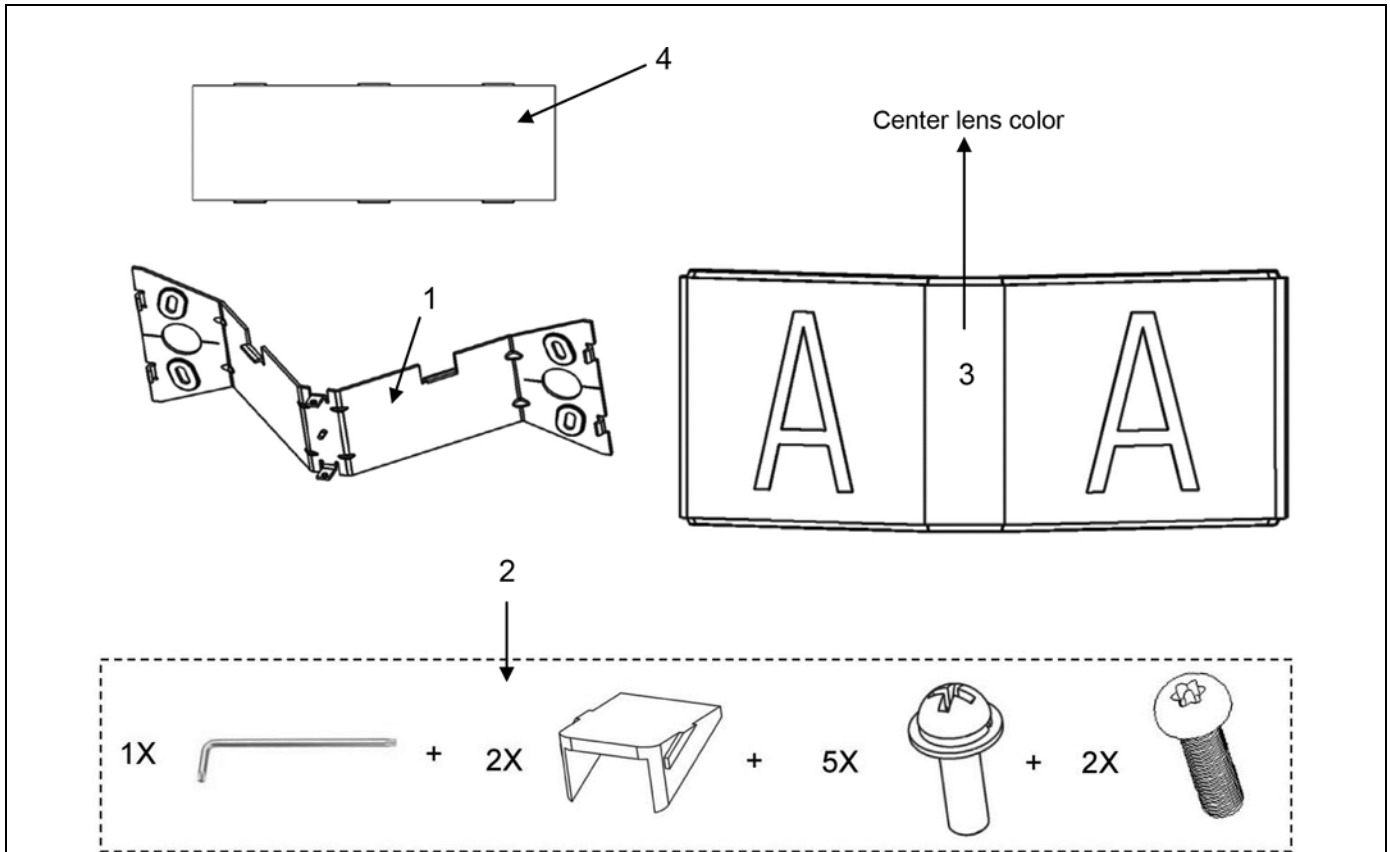
Base part number	Parametric numbering			Variable numbering							
XBA23505G	***			-	*	-	*			-	*
Parameter Description	***	Center Display Color of Signage	Mounting Type of Signage <small>note</small>	-	Housing Color Type	-	Signage Mark			-	Center Display Color of Signage
VALUE	999	STATIC	WALL	-	0 = BLACK 1 = SILVER	-	0 = A 1 = B 2 = C 3 = D 4 = E 5 = F 6 = G 7 = H 8 = I 9 = J 10 = K 11 = L 12 = M 13 = A1 14 = A2 15 = A3 16 = A4 17 = A5 18 = A6 19 = A7 20 = A8 21 = A9 22 = B1 23 = B2 24 = B3 25 = B4 26 = B5 27 = B6 28 = B7 29 = B8 30 = B9 31 = C1 32 = C2 33 = C3 34 = C4 35 = C5 36 = C6 37 = C7 38 = C8 39 = C9 40 = D1 41 = D2 42 = D3 43 = D4 44 = D5	45 = D6 46 = D7 47 = D8 48 = D9 49 = E1 50 = E2 51 = E3 52 = E4 53 = E5 54 = E6 55 = E7 56 = E8 57 = E9 58 = F1 59 = F2 60 = F3 61 = F4 62 = F5 63 = F6 64 = F7 65 = F8 66 = F9 67 = G1 68 = G2 69 = G3 70 = G4 71 = G5 72 = G6 73 = G7 74 = G8 75 = G9 76 = H1 77 = H2 78 = H3 79 = H4 80 = H5 81 = H6 82 = H7 83 = H8 84 = H9 85 = J1 86 = J2 87 = J3 88 = J4 89 = J5	90 = J6 91 = J7 92 = J8 93 = J9 94 = K1 95 = K2 96 = K3 97 = K4 98 = K5 99 = K6 100 = K7 101 = K8 102 = K9 103 = L1 104 = L2 105 = L3 106 = L4 107 = L5 108 = L6 109 = L7 110 = L8 111 = L9 112 = M1 113 = M2 114 = M3 115 = M4 116 = M5 117 = M6 118 = M7 119 = M8 120 = M9 121 = 1 122 = 2 123 = 3 124 = 4 125 = 5 126 = 6 127 = 7 128 = 8 129 = 9 130 = 10 131 = 11 132 = 12	-	0 = DYWHITE 1 = DYBLUE 2 = DYGREEN 3 = DYRED 4 = DYYELLOW 5 = DYGRAY 6 = DYBROWN 7 = DYORANGE 8 = DYPURPLE 9 = DYPINK 11 = STATIC
	998	STATIC	WALLNA								
	997	DYWHITE, DY BLUE, DYGREEN, DYRED, DYYELLOW, DYGRAY, DYBROWN, DYORANGE, DYPURPLE, DYPINK	WALL								
	996	DYWHITE, DY BLUE, DYGREEN, DYRED, DYYELLOW, DYGRAY, DYBROWN, DYORANGE, DYPURPLE, DYPINK	WALLNA								


**NOTE:** WALL means "C" type mounting plate (with slotted), WALLNA means "A" type mounting plate (with conduit fitting).

**Example:** XBA23505G999 - 0 - 2 - 11 = Signage (static), wall mount, Black, character "C", center display color is static (without light).

# Signage

32-XAA23505G



REF. No.	PART No.	DESCRIPTION
	XAA23505G XBA23505G	
1	XAA285DF1	Wall mounting plate
2	XAA23851G999-B LACK/ XAA23851G999-SILVER	decoration cover + screw  Note 1
3	XAA147DZ999-DYBLUE	BLUE
	XAA147DZ999-DYGREEN	GREEN
	XAA147DZ999-DYRED	RED
	XAA147DZ999-DYYELLOW	YELLOW
	XAA147DZ999-DYGRAY	GRAY
	XAA147DZ999-DYBROWN	BROWN
	XAA147DZ999-DYORANGE	ORANGE
	XAA147DZ999-DYPURPLE	PURPLE
	XAA147DZ999-DYPINK	PINK
4	XAA403CP2	Black
	XAA403CP3	Silver

**Notes:** 1: Sundry kit = 1 pcs torx security tool + 2 pcs decoration cover + 5 pcs M3x18 screws + 2 pcs tamper proof.

2: The center lens color type.