

# Fixture, Advanced & Modular, In-Car Lantern

## Spare Parts Leaflet 33-6463T

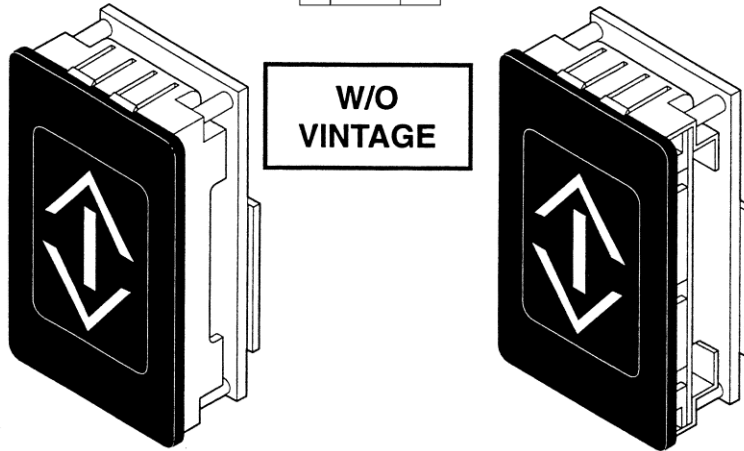
April 19, 2023 / Page 1 of 10

The In-Car lantern is mounted in the door jamb adjacent to the car operating panel.

~~TYPE 6463T~~

ORDER	

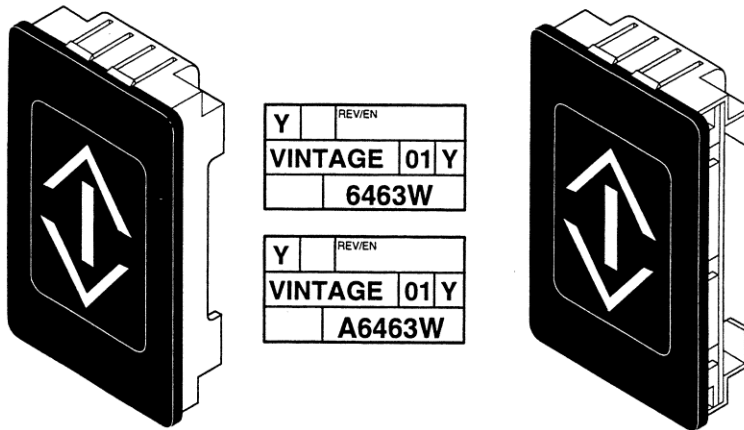
      →      TYPE A6463T



~~TYPE 6463W~~

ORDER	

      →      TYPE A6463W



This document does not contain any technical data subject to EAR or ITAR

**SERVICE ENGINEERING**  
**Otis Elevator Company**  
**Bloomfield, Connecticut USA**

Unpublished Work—© Otis Elevator Co.; 2023

### Leaflet Description

This leaflet was originally listed in SPL C-3032A dated November 1984. In 1997 revision, this leaflet was under component code 31. This revision changes the component code from 31 to 33. This document lists the lowest replaceable units (LRUs) for the standard version of the product. The LRUs are chosen by a team of Otis associates representing engineering and manufacturing. In making the choice of LRU, consider to use the LED version were the final product will last longer than lamp-based one. While the goal of this document is to make parts identification as easy as possible, it cannot be all inclusive. Elevator and escalator contracts classified as "special" or "custom" are not addressed here. For such contracts, please refer to specified information, the contract folder, TIPs, Field Education Articles, Construction Letters, etc. If you have any suggestions about this document, please contact the subject matter expert listed below.

### Leaflet Revisions

Date Revised	Subject Matter Expert	Reason for Revision
February 1997	Val Minnes	New SPL
July 28, 2010	Joseph Zych	pp3-7 changes, p.8 add new arr., p. 9 add new PC boards
November 30, 2011	Jeffrey Holmes and Joseph Zych	Added new parts on pp. 7-9
December 18, 2013	Joseph Zych	Updated history page; Added p/n A6463W13 on p. 7
March 16, 2016	Joseph Zych	Updated ref. 8 on p. 9
June 27, 2018	Oliver Cai	Added ACA26800ASQ1 in ref. 7 on p. 9
November 18, 2020	Joseph Zych	Added p/n MT-105026 on pages 4 and 8
April 19, 2023	Vadzim Fedarenka and Paul Anthony	Added new p. 10; Updated History page; Updated page titles for pp. 7-9; Added A6463W14 (Ref.1) on p.7; Corrected descriptions for A6463W11, 12, 13 on p.7; Added ABA26800AXL1 to Ref. 2 on p.9; Updated description for Ref.1 & 2 on p.9

### Related Drawings

Drawing No.	Title	Drawing No.	Title
6463T	Assembly, In-Car Lantern	6463W	Assembly, Modular In-Car Lantern
A6463T	Assembly, In-Car Lantern	A6463W	Assembly, Modular In-Car Lantern

### Related Documents

Document ID	Title
SPL C-3032A	Advanced Fixtures, Hall Position Indicators (Raised Faceplate Design) ADFIX
TIP 4.0-35	Select-A-Color Direction Lanterns
TIP 4.1.3-7	LED-Based PCBs Replace 424D2 and 424D5 Incandescent Lamps on 30 VDC Hall Lanterns
TIP 4.0-40	New OSC RSL/CAN Fixture Boards

### Subject Matter Expert

Name	Department
Paul Anthony	OSC Service Engineering

### About Spare Parts Leaflets...

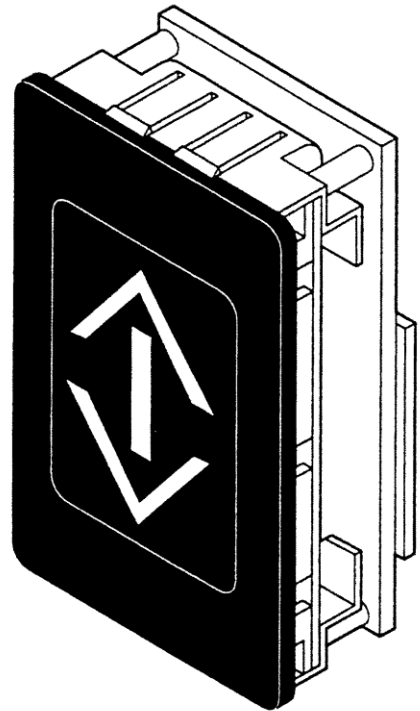
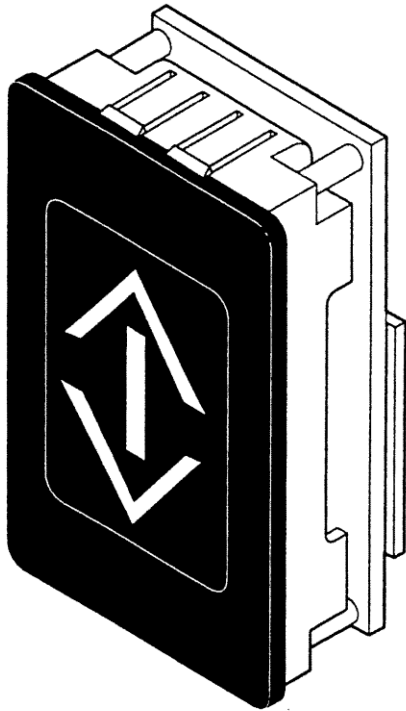
This document lists the lowest replaceable units (LRUs) for the standard version of the product. The LRUs are chosen by a team of Otis associates representing engineering and manufacturing.

While goal of this document is to make parts identification as easy as possible, the document cannot be all-inclusive. Elevator and escalator contracts classified as "special" or "custom" are not addressed here. For such contracts, please refer to specified information, the contract folder, TIPs, Field Education Articles, Construction Letters, etc. for further information. If you have any suggestions about this document, please contact the subject matter expert listed on this page.

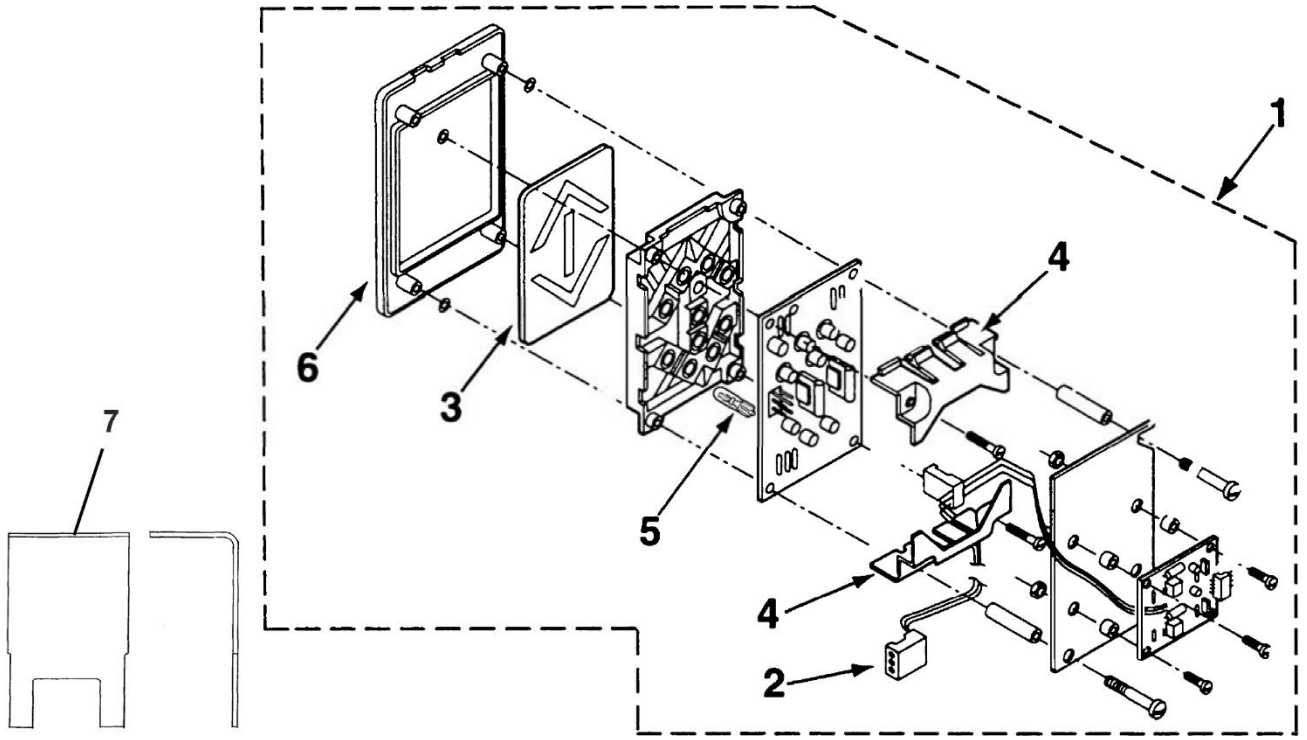
~~TYPE 6463T~~

ORDER		

→ TYPE A6463T



REF. No.	W/O VINTAGE PART No.	DESCRIPTION				
---	---	Type 6463T In-Car Lantern Assemblies <table border="1" style="display: inline-table; vertical-align: middle;"><tr><th>ORDER</th></tr><tr><td> </td></tr><tr><td> </td></tr><tr><td> </td></tr></table> p. 4, Ref. 1	ORDER			
ORDER						

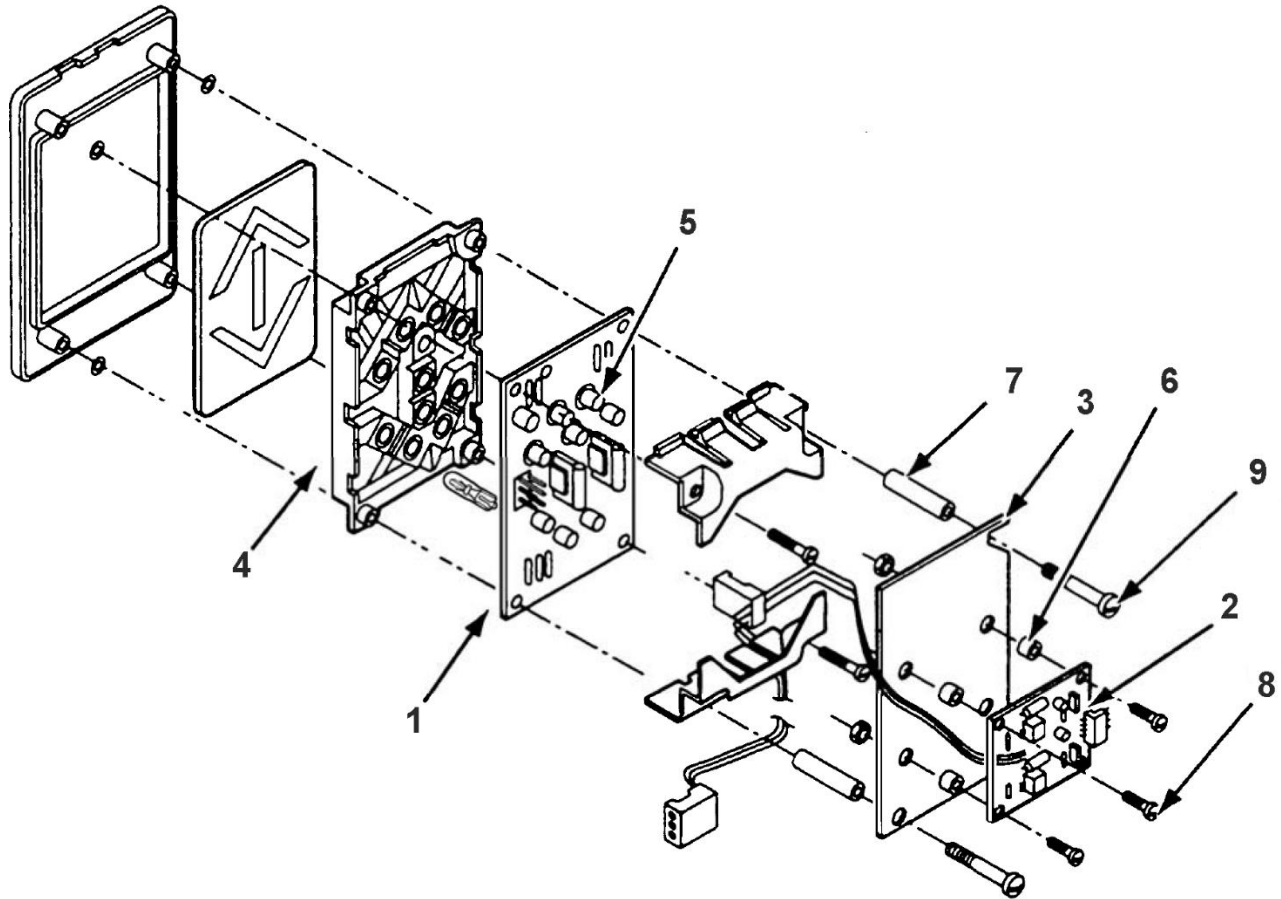


		<b>W/O VINTAGE</b>
<b>REF. No.</b>	<b>PART No.</b>	<b>DESCRIPTION</b>
1	A6463T1	Assembly, In-Car Lantern, Green Lens, w/o Buffer PC Board
	A6463T2	Assembly, In-Car Lantern, Red Lens w/o Buffer PC Board
	A6463T3	Assembly, In-Car Lantern, Green Lens w/Buffer PC Board
	A6463T4	Assembly, In-Car Lantern, Red Lens w/Buffer PC Board
2	AAA447AC5	Connector, 3 Circuits, <b>W</b> → A6463T1 & 2 only
	AAA447AC3	Connector, 4 Circuits, <b>W</b> → A6463T3 & 4 only
3	449BH1	Diffuser, 2.706 x 3.386 in.
4	AAA396MW1	Housing, Lantern, 3.130 x 5.0 in.
5	424R1	Lamp, Incandescent, 28.0 V, 0.4 A, Wedge Base
	AAA629AY2	Light Emitting Diode (Red), <b>W</b> → A6463T2 & 4 (Red Lens) Only
6	A443CD1	Lens, Green
	A443CD2	Lens, Red
	A443CD3	Lens, Violet
	A443CD4	Lens, Grey
7	MT-105026	Tool, In Car Lantern Lens Removal

(Continued on next page)

# In-Car Lanterns, Type A6463T

**33-6463T**



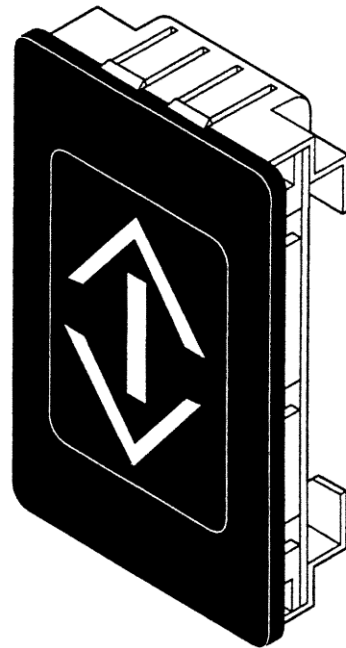
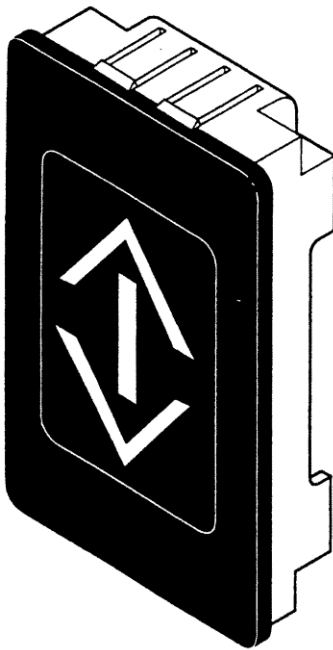
W/O VINTAGE		
REF. No.	PART No.	DESCRIPTION
1	8200GA1	PC Board, Lantern w/Incandescent Lamps
2	C8121BB1	PC Board, Semi-Conductor Switch, <b>W</b> → 6463T3, T4 only
3	386BTR1	Plate
4	278HA1	Reflector, 2.632 x 4.246 in.
5	467AT1	Socket, Lamp
6	354CD5	Spacer, 0.125 in. L, OD = 3/16 in., <b>W</b> → A6463T3, T4 only
7	354CD112	Spacer, 1.25 in. L, OD = 1/4 in., <b>W</b> → A6463T3, T4 only
8	ISO7045M3x16Z-4 8Z	Screw, Pan Head, M3 x 16.0 mm
9	---	Screw, Pan Head, M3 x 50.0 mm (obtain locally)

~~TYPE 6463W~~

ORDER		

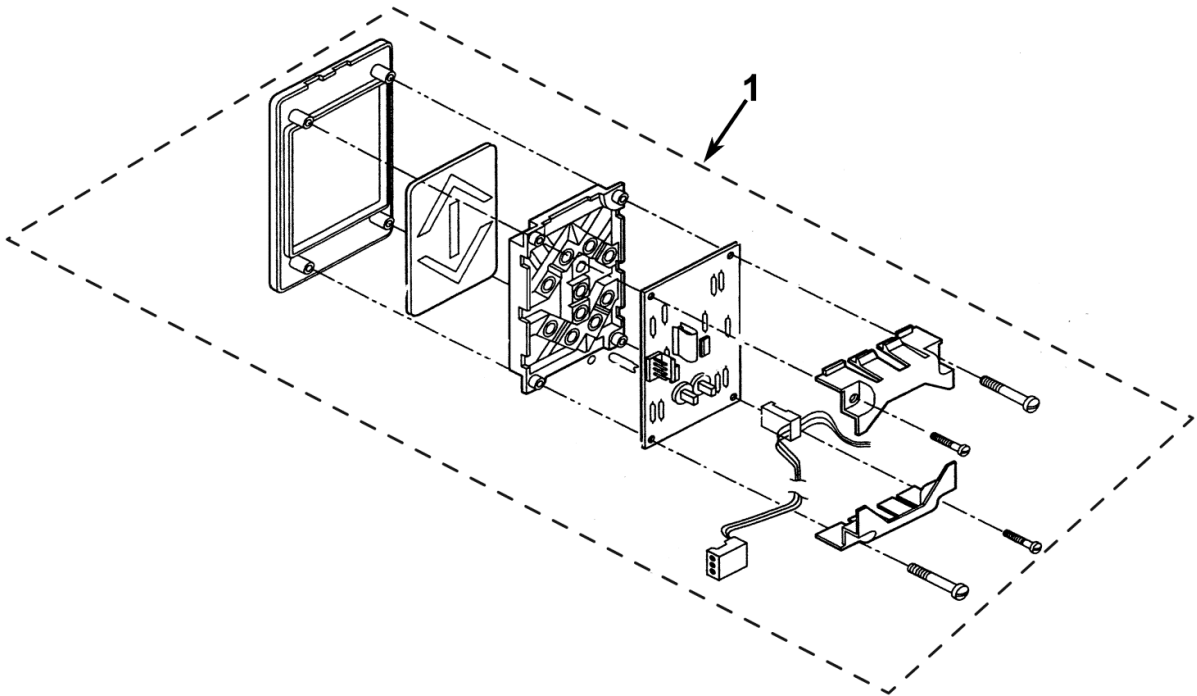


**TYPE A6463W**



**VINTAGE Y 02**

REF. No.	PART No.	DESCRIPTION				
---	---	6463W In-Car Lantern Assembly <table border="1" style="display: inline-table; vertical-align: middle;"><tr><th>ORDER</th></tr><tr><td> </td></tr><tr><td> </td></tr><tr><td> </td></tr></table> p. 7, Ref. 1	ORDER			
ORDER						



VINTAGE Y 02		
REF. No.	PART No.	DESCRIPTION
1	A6463W1	Assembly, In-Car Lantern, Incandescent Lamps, Green Lens (see <b>NOTE</b> )
	A6463W4	Assembly, In-Car Lantern, LEDs, Green Lens
	A6463W2	Assembly, In-Car Lantern, Incandescent Lamps, Red Lens (see <b>NOTE</b> )
	A6463W3	Assembly, In-Car Lantern, LEDs, Red Lens
	A6463W11	Assembly, Discrete 30 VDC/120 VAC In-Car Lantern, LEDs, White
	A6463W12	Assembly, Discrete 30 VDC/120 VAC In-Car Lantern, LEDs, Select-A-Color, Red / Green / Blue
	A6463W5	Assembly, In-Car Lantern, LEDs, Green Up/Red Down
	A6463W13	Assembly, CAN only In-Car Lantern (LED version, Blue)
	A6463W6	Assembly, RSL In-Car Lantern (LED version, Red)
	A6463W7	Assembly, RSL In-Car Lantern (LED version, Green)
	A6463W8	Assembly, RSL In-Car Lantern (LED Version, Red)
	A6463W9	Assembly, RSL In-Car Lantern (LED Version, Green)
	A6463W10	Assembly, RSL In-Car Lantern (LED Version, Blue)
	*A6463W14	Assembly, CAN/RSL In-Car Lantern, (LED Version, Select-A-Color: Red, Green, Blue, White)

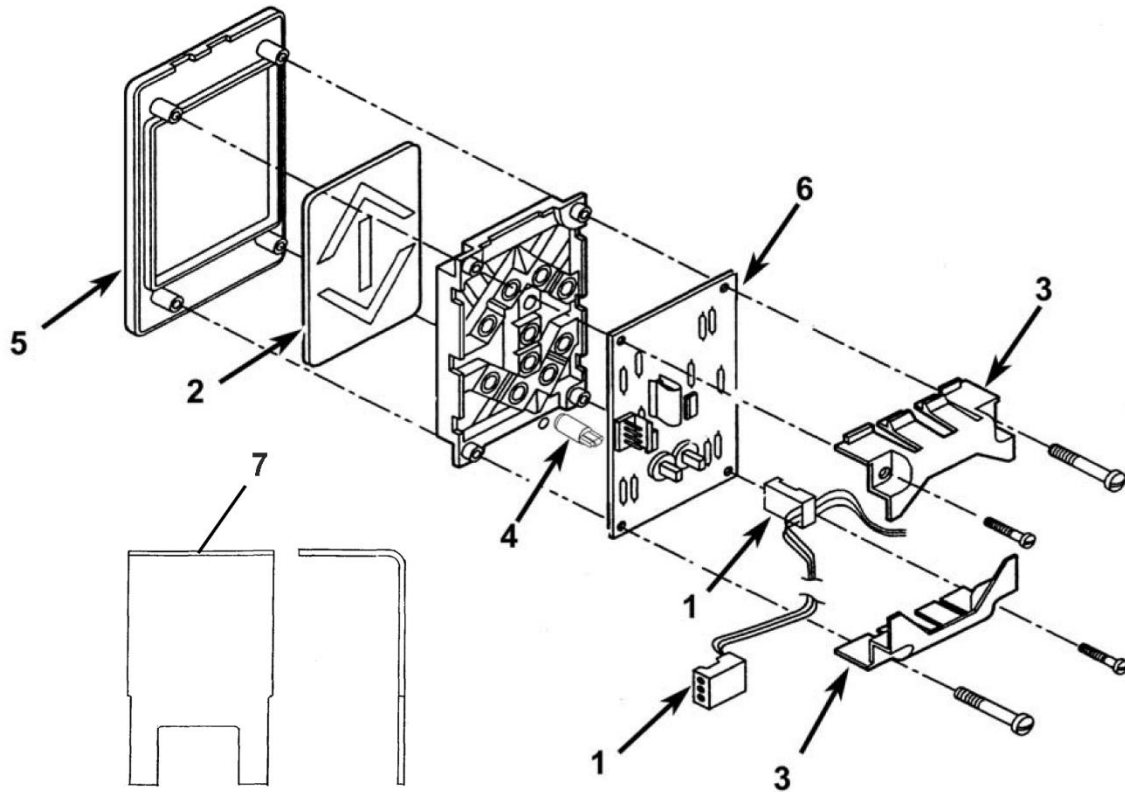
**NOTE:** Order LED version of the in-car lantern.

\* Not shown. See p. 10 for assembly image.

**33-6463T**

## In-Car Lanterns, Type A6463W

### Discrete, RSL, & CAN Only


**VINTAGE Y 02**

REF. No.	PART No.	DESCRIPTION
1	AAA447AC5	Connector, 3 Circuits, <b>W</b> → A6463W3 only
	AAA447AC3	Connector, 4 Circuits
2	449BH1	Diffuser, 2.706 x 3.386 in.
3	AAA396MW1	Housing, Lantern
4	424R1	Lamp, Incandescent, 28.0 V, 0.4 A, Wedge Base
	AAA629AY2	Light Emitting Diode (Red), <b>W</b> → A6463W2 only
5	A443CD1	Lens, Green, 3.307 x 5.198 in.
	A443CD2	Lens, Red, 3.307 x 5.198 in.
	A443CD3	Lens, Violet
	A443CD4	Lens, Grey
6	9693H1	PC Board, Hall Lantern With Incandescent Lamps ( <b>W</b> → Series 1 fixture) see <b>NOTE</b>
7	MT-105026	Tool, In Car Lantern Lens Removal

**NOTE:** Order LED version of the PC Board

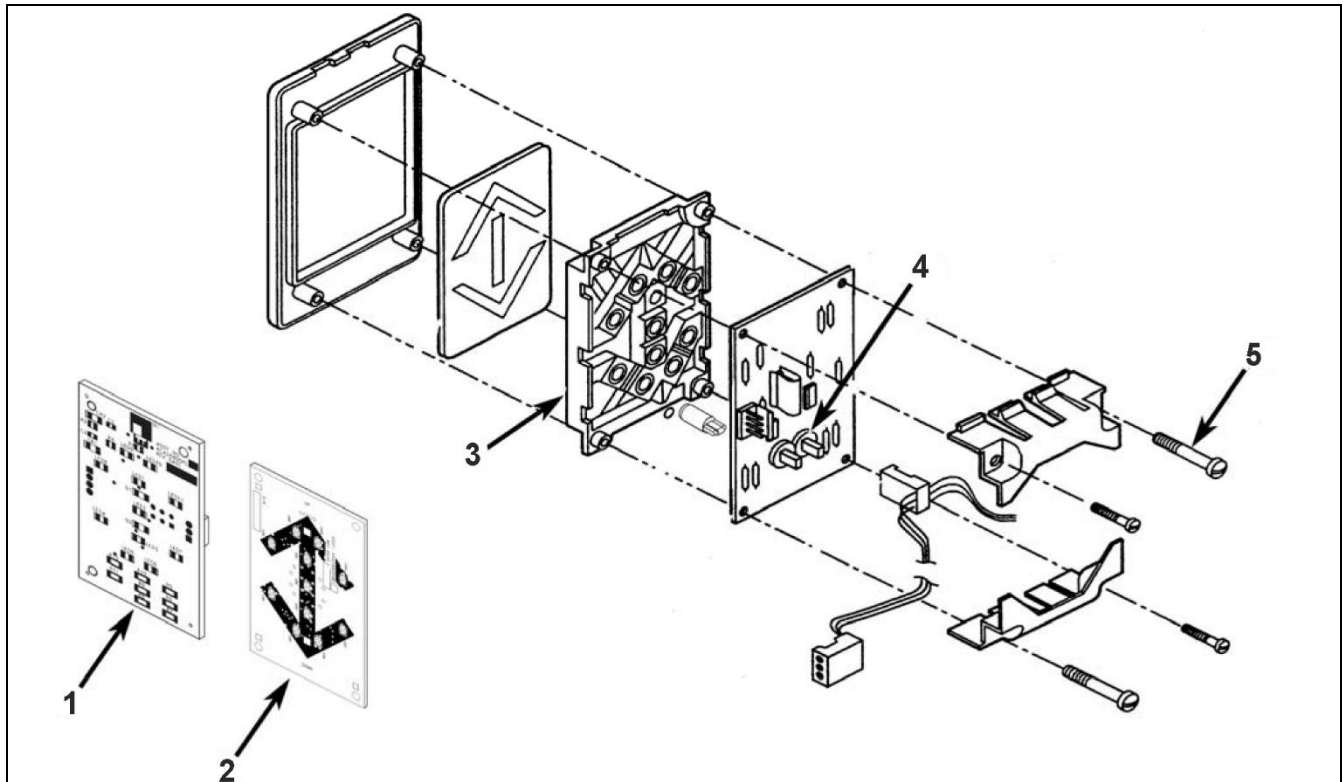
(Continued on next page)



# In-Car Lanterns, Type A6463W

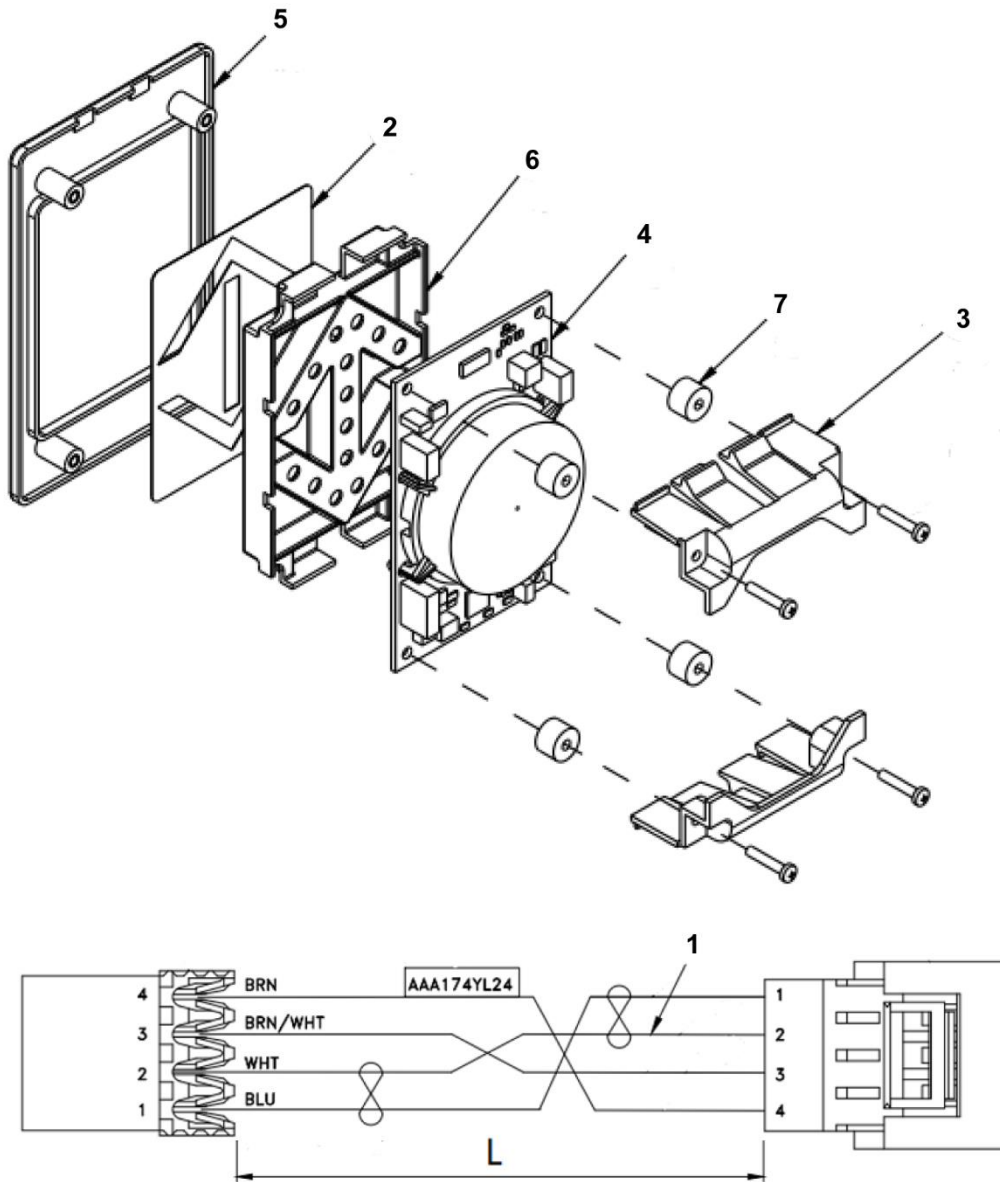
## Discrete, RSL, & CAN only

**33-6463T**



VINTAGE Y 02		
REF. No.	PART No.	DESCRIPTION
1	AAA26800PL1	PC Board, Hall Lantern, Red LEDs, 30 VDC
	ACA26800PL2	PC Board, Hall Lantern, Green LEDs, 30 VDC
	ABA26800ASQ4 ACA26800ASQ1	PC Board, Hall Lantern, Select-A-Color, Red / Green / Blue LEDs, 30 VDC (for p/n A6463W12)
	ACA26800PL6	PC Board, Hall Lantern, White LEDs, 30 VDC (for p/n A6463W11)
2	AAA26800AMJ3	PC Board, Hall Lantern, Red and Green LEDs , 30 VDC, (Use Ref. 1)
	AAA26800AMZ3 ABA26800AMZ3	PC Board, Hall Lantern, Red LEDs, 30 VDC ( <b>W</b> → RSL) (for p/ns A6463W6 & 8)
	AAA26800AMZ4 ABA26800AMZ4	PC Board, Hall Lantern, Green LEDs, 30 VDC ( <b>W</b> → RSL) (for p/ns A6463W7 & 9)
	AAA26800AMZ5 ABA26800AMZ5	PC Board, Hall Lantern, Blue LEDs, 30 VDC ( <b>W</b> → RSL) (for A6463W10)
	ABA26800AXL1	PC Board, Hall Lantern, Blue LEDs, CAN only (for p/n A6463W13)
3	278HA1	Reflector, 2.632 x 4.246 in.
4	467AT1	Socket, Lamp
5	ISO7045M3x16Z-4 8Z	Screw, Pan Head, M3 x 16.0 mm

**NOTE:** Lens p/n A443CD4 should be used with select-a-color boards.



<b>VINTAGE Y 02</b>		
<b>REF. No.</b>	<b>PART No.</b>	<b>DESCRIPTION</b>
1	AAA174YL24	Cable, Adaptor Harness (Right Angle), L=150 MM
2	449BH1	Diffuser, 2.706 x 3.386 in.
3	AAA396MW1	Housing
4	ABA26800BAN1	LED Select-A-Color (Red, Green, Blue, White)
5	A443CD4	Lens, Grey
6	AAA278ER1	Reflector
7	462GV2	Spacer