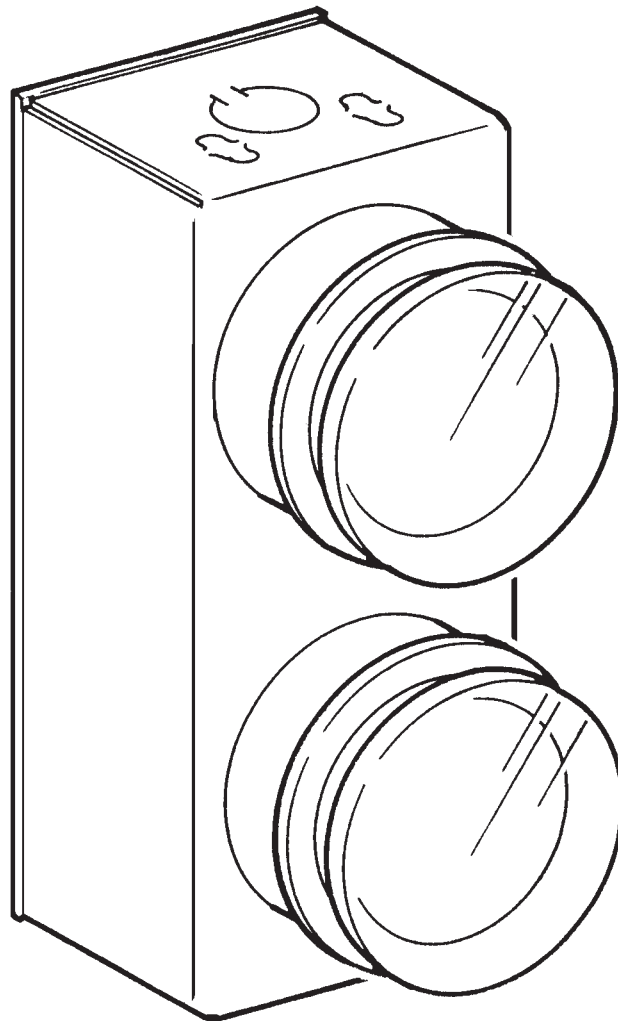


**Advanced Hall Lantern  
Intermediate Landing: 30  
Volt Application w/o  
Remote Station**

**Spare Parts Leaflet  
34-6646EB**

**October 28, 2009 / Page 1 of 4**

**W/O VINTAGE**



**OTIS**

**Safety First!**

**SERVICE ENGINEERING  
Otis Elevator Company  
Bloomfield, Connecticut USA**

**Leaflet Description**

This leaflet was separated from SPL C-3029 in July 1997.

**Leaflet Revisions**

<b>Date Revised</b>	<b>Subject Matter Expert</b>	<b>Reason for Revision</b>
July 1997	---	Separated from SPL C-3029
October 28, 2009	Joseph Zych	Added 354AG6 and rearranged page layout.

**Related Drawings**

<b>Drawing No.</b>	<b>Title</b>	<b>Drawing No.</b>	<b>Title</b>
6646EB	Assembly and Arrangement, Hall Lantern (intermediate)	---	---
---	---	---	---

**Related Documents**

<b>Document ID</b>	<b>Title</b>
SPL C-3029	Advanced Hall Position Indicator (Flat Faceplate Design) 6646EG
---	---

**Subject Matter Expert**

<b>Name</b>	<b>Department</b>
Joseph Zych	OSC Service Engineering

**About Spare Parts Leaflets...**

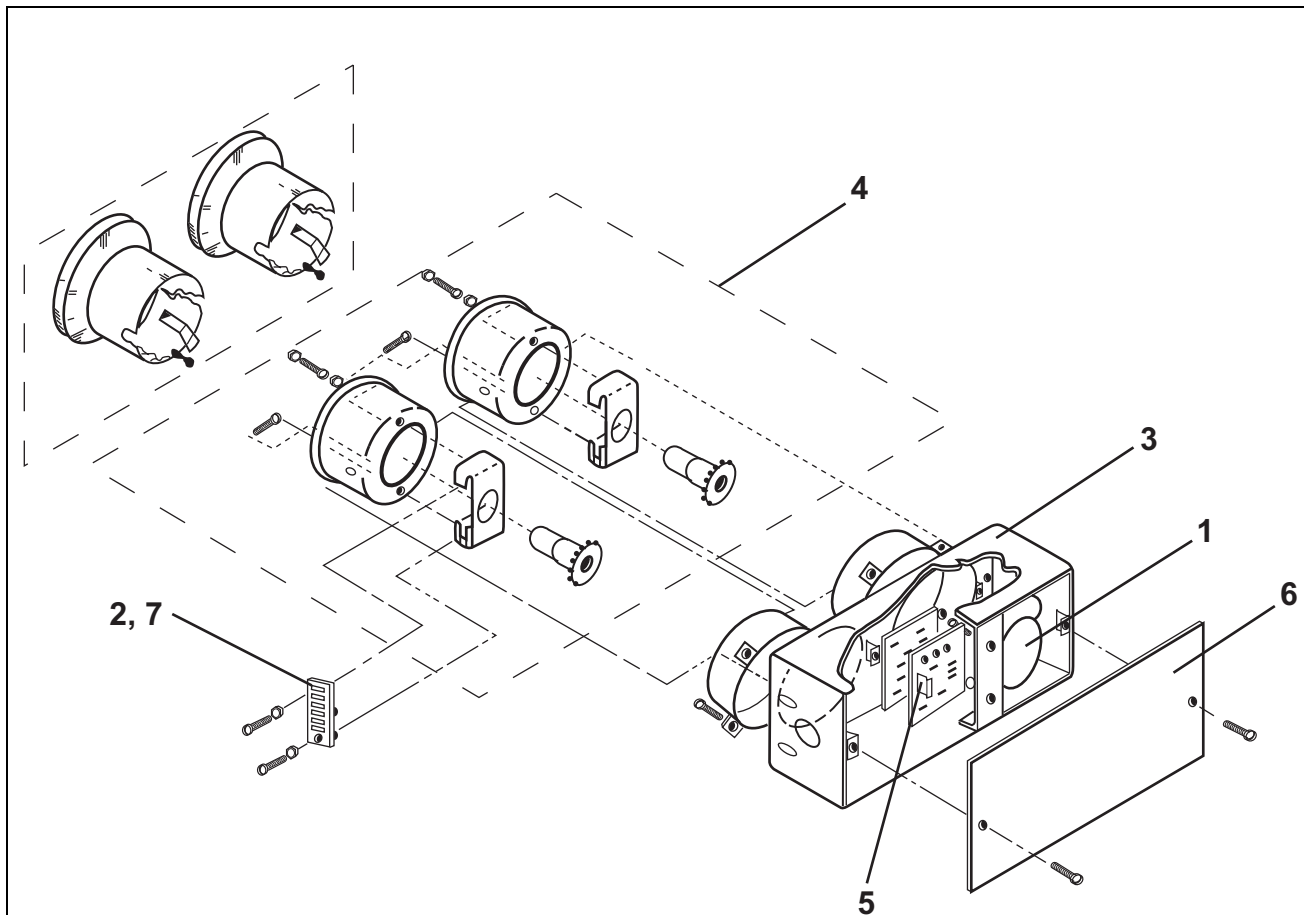
This document lists the lowest replaceable units (LRUs) for the standard version of the product. The LRUs are chosen by a team of Otis associates representing engineering and manufacturing.

While goal of this document is to make parts identification as easy as possible, the document cannot be all-inclusive. Elevator and escalator contracts classified as "special" or "custom" are not addressed here. For such contracts, please refer to specified information, the contract folder, TIPs, Field Education Articles, Construction Letters, etc. for further information.

If you have any suggestions about this document, please contact the subject matter expert listed on this page.

# Hall Lantern Assembly

**34-6646EB**

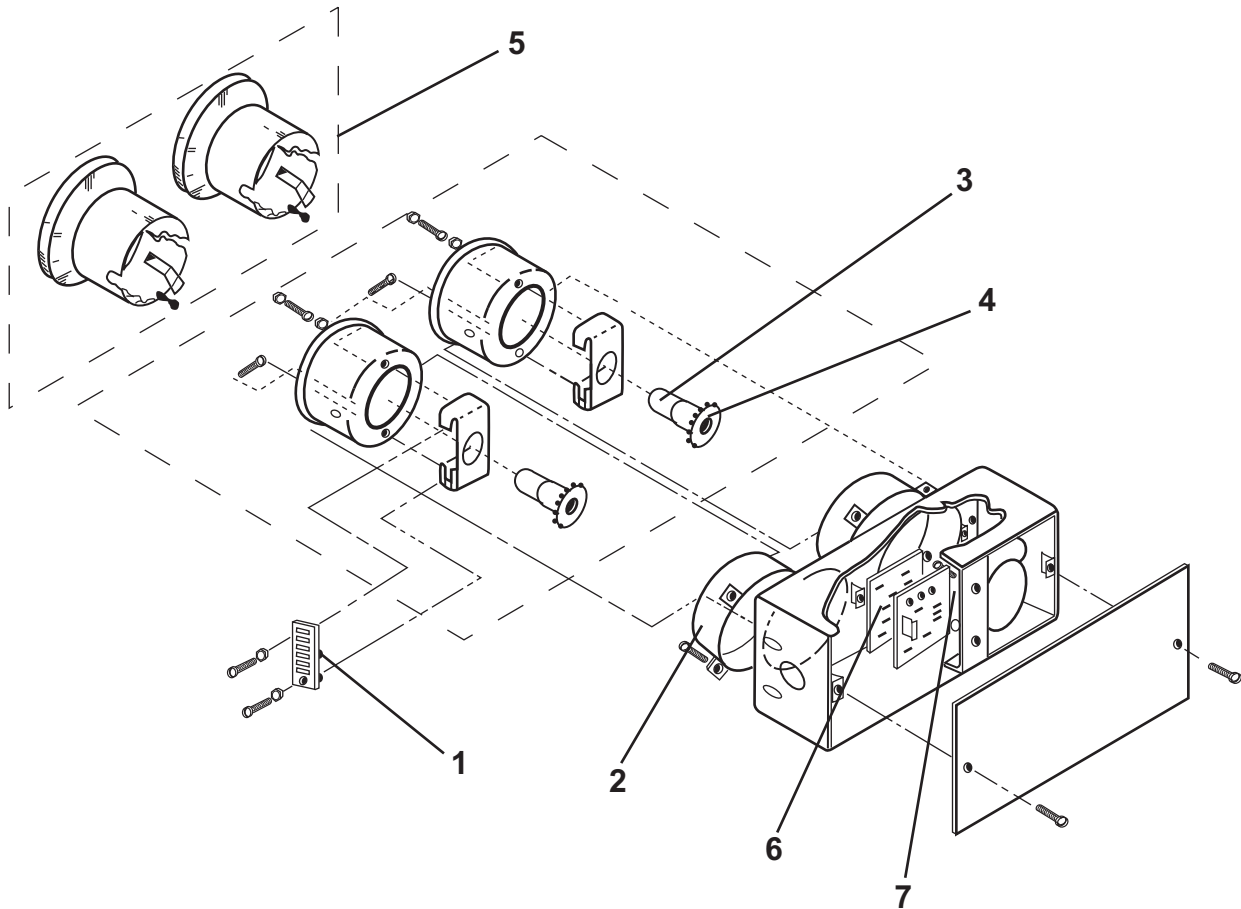


REF. No.	W/O VINTAGE PART No.	DESCRIPTION
**1	8200BE2 A8200BE2***	Assembly, Gong
2	P303BB4 P303BB7	Block, Terminal, 5 at 15 Amps
3	313BG3	Box, Signal
4	6646EA2	Bracket, Lamp, Brass Color
	6646EA1	Bracket, Lamp, Stainless Steel Color
5	P614AS1 AAA447AC5	Connector
6	346AGN1	Cover, 9-7/8X3-7/8 in.
**7	102EY27	Strip, Marking, 4 in. Long

\*\* General Location. Part Not Illustrated.

\*\*\* A8200BE2 is a functional substitute, and the gong sound may differ. If objectionable, contact Customer Service for repair of 8200BE2.

(Continued on next page)



<b>VINTAGE</b>		
<b>REF. No.</b>	<b>PART No.</b>	<b>DESCRIPTION</b>
1	642B3 AAA612AF3	Diode, 400 V, w/Polyvinyl Sleeve
2	384MK1	Guard
3	467AW1	Holder, Lamp, w/12 in. Wire Leads
*4	424D5	Lamp, 35 V (for longer life but less illumination)
	424D2	Lamp, Bayonet Base, 28 VDC
5	6646AW5	Lens, Clear, Assembled w/Steel Cup
	6646AW6	Lens, Red, Assembled w/Steel Cup
6	C8121BB1	PC Board, Power Buffer (mounted gong assembly), Used w/ LRS Type Control Systems
7	354AG5	Piece, Distance, 1.4 in. Long, 6-32 UNC2
	354AG6	Piece, Distance, 0.5 in. Long, 6-32 UNC2

\* Recommended Spare Part