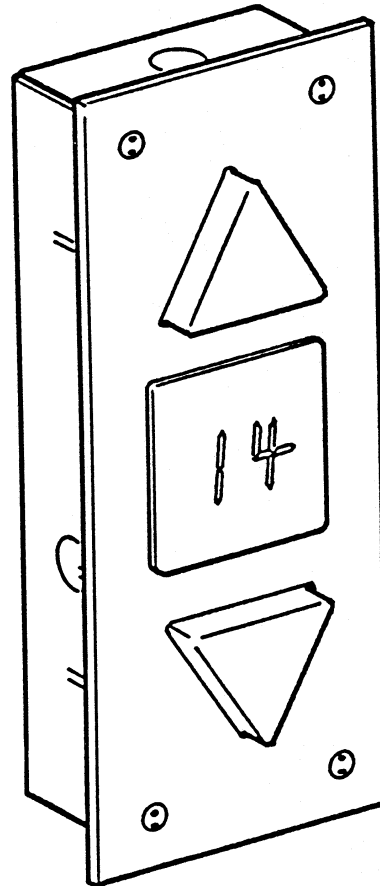
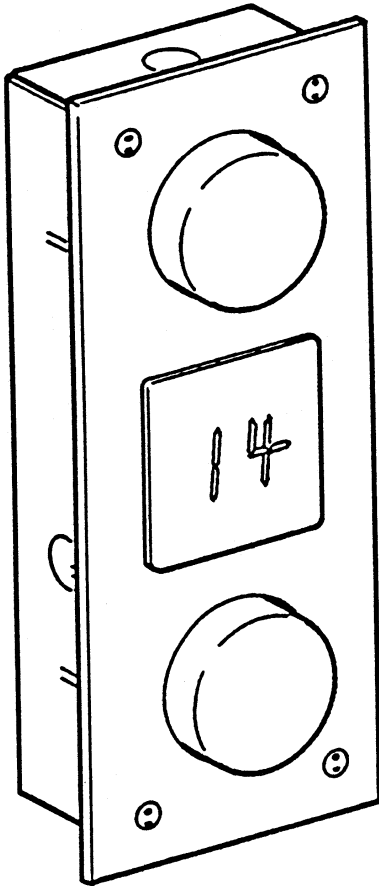


**Advanced Hall Lantern
& Position Indicator**
Flat Faceplate w/o Remote Station

Spare Parts Leaflet

34-6646EG

February 1999 / Page 1 of 6



Unpublished Work—© Otis Elevator Co.; 1999

OTIS

Safety First!

SERVICE ENGINEERING

Otis Elevator Company
Bloomfield, Connecticut USA

History

34-6646EG

First Published: September, 1984

Advanced Hall Lantern & Position Indicator Flat Faceplate w/o Remote Station

REVISED DATE	RESPONSIBLE ENGINEER	PRIMARY REASON FOR REVISION
August 1997		Separated From SPL C-3029
February 1999	Val Minnes	Improve Illustrations

Leaflet Description

This is an advanced fixture that uses the flat faceplate.

RELATED LEAFLET NUMBERS	TITLES
None	

DRAWING REFERENCES
6646EG

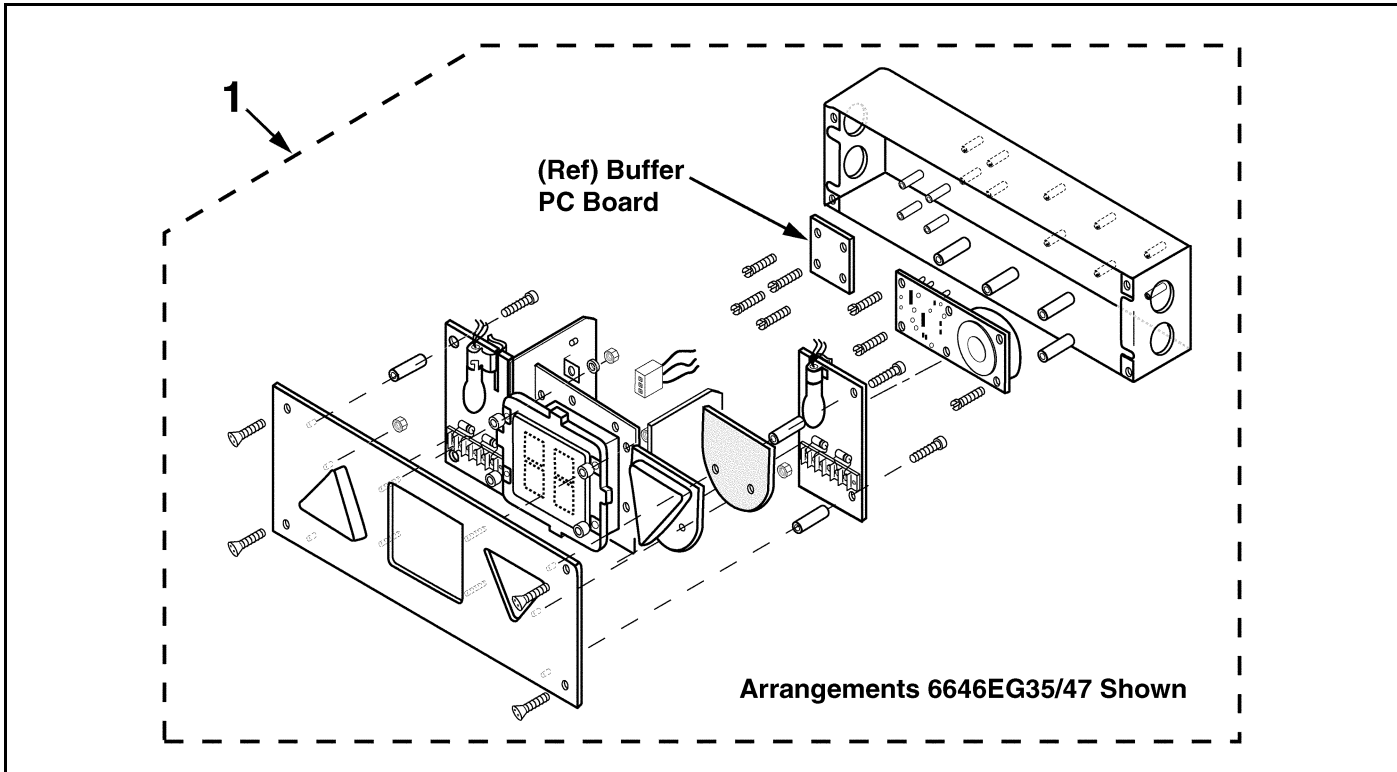
RELATED DOCUMENT NUMBERS	TITLES
None	

This Spare Parts Leaflet (SPL) is prepared to assist you in determining the Lowest Replaceable Units (LRU) supported by the Otis Service Center for the standard version of the product titled on the preceding page. The parts are chosen by Otis associates from: Engineering, Field Engineering, Service Engineering, and Manufacturing. We attempt to make part identification as easy as possible. The SPL, however, cannot be all inclusive. Elevator and escalator contracts classified as either "special" or "custom" are not addressed. Alternative sources of information such as: the Contract Folder, Technical Information Publications, Field Education Articles, Construction Letters, etc. may give the information you are after. You live in the real world of maintaining your elevator and escalator contracts. On a daily basis, situations arise regarding parts identification and at times, for some reason, the part you need is not in the SPL. If you think a standard part not listed should be—let us know. We will respond.

Val Minnes - Service Engineering

Complete Assembly Arrangements

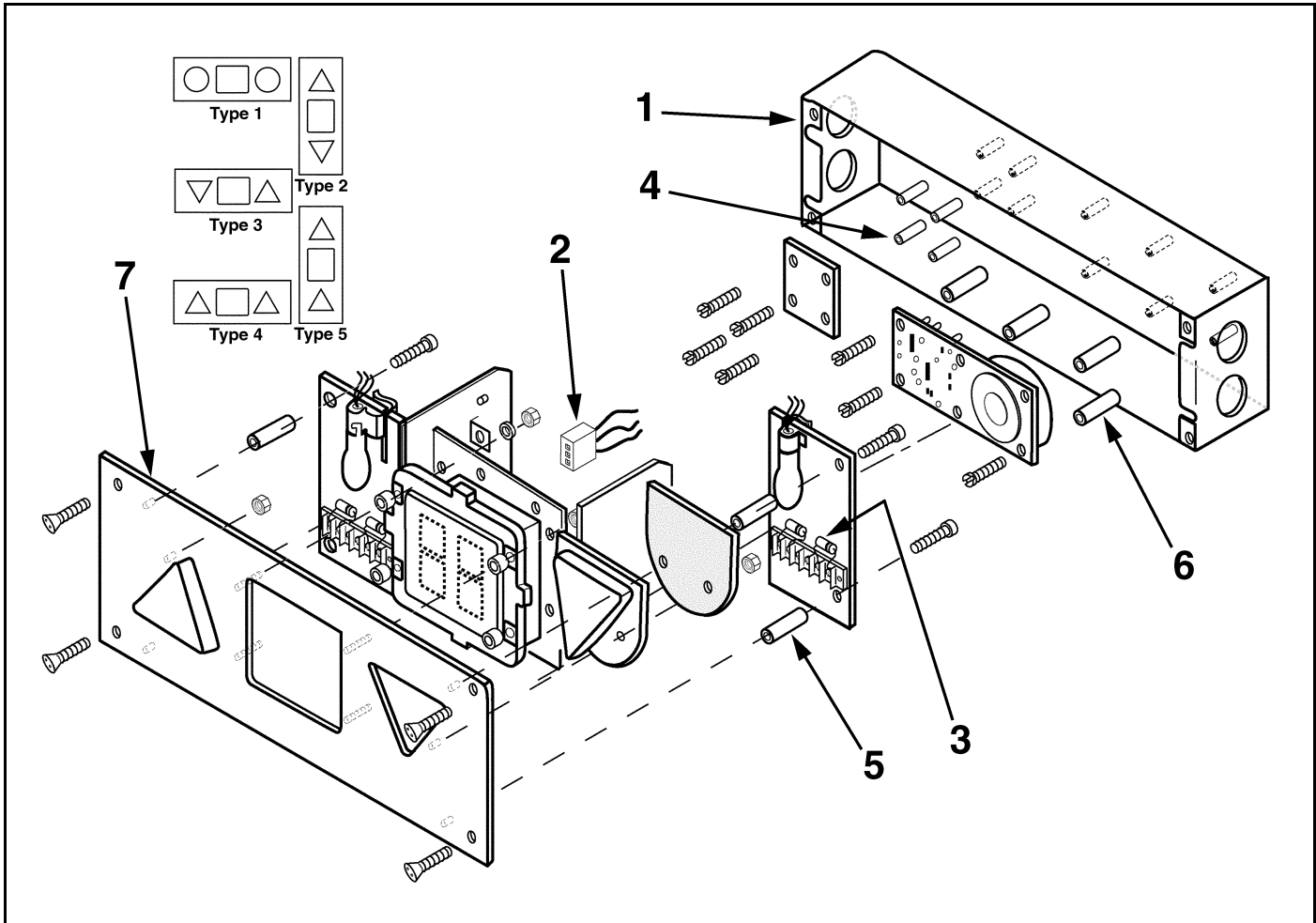
34-6646EG



REF. No. 25		Complete Hall Lantern/Position Indicator Assembly				
W/Buffer	W/O Buffer	Mounting	Landing	Lens	Illumination	Finish
6646EG25	6646EG1	Horizontal	Terminal-Up	Round	White	St. Steel
6646EG26	6646EG2	Horizontal	Terminal-Dn	Round	Red	St. Steel
6646EG27	6646EG3	Vertical	Terminal-Up	Round	White	St. Steel
6646EG28	6646EG4	Vertical	Terminal-Dn	Round	Red	St. Steel
6646EG29	6646EG5	Horizontal	Terminal-Up	Triangle	White	St. Steel
6646EG30	6646EG6	Horizontal	Terminal-Dn	Triangle	Red	St. Steel
6646EG31	6646EG7	Vertical	Terminal-Up	Triangle	White	St. Steel
6646EG32	6646EG8	Vertical	Terminal-Dn	Triangle	Red	St. Steel
6646EG33	6646EG9	Horizontal	Intermediate	Round	Left-White/Right-Red	St. Steel
6646EG34	6646EG10	Vertical	Intermediate	Round	Up-White/Dn-Red	St. Steel
6646EG35	6646EG11	Horizontal	Intermediate	Triangle	Up-White/Dn-Red	St. Steel
6646EG36	6646EG12	Vertical	Intermediate	Triangle	Up-White/Dn-Red	St. Steel
6646EG37	6646EG13	Horizontal	Terminal-Up	Round	White	Brass
6646EG38	6646EG14	Horizontal	Terminal-Dn	Round	Red	Brass
6646EG39	6646EG15	Vertical	Terminal-Up	Round	White	Brass
6646EG40	6646EG16	Vertical	Terminal-Dn	Round	Red	Brass
6646EG41	6646EG17	Horizontal	Terminal-Up	Triangle	White	Brass
6646EG42	6646EG18	Horizontal	Terminal-Dn	Triangle	Red	Brass
6646EG43	6646EG19	Vertical	Terminal-Up	Triangle	White	Brass
6646EG44	6646EG20	Vertical	Terminal-Dn	Triangle	Red	Brass
6646EG45	6646EG21	Horizontal	Intermediate	Round	Left-White/Right-Red	Brass
6646EG46	6646EG22	Vertical	Intermediate	Round	Up-White/Dn-Red	Brass
6646EG47	6646EG23	Horizontal	Intermediate	Triangle	Up-White/Dn-Red	Brass
6646EG48	6646EG24	Vertical	Intermediate	Triangle	Up-White/Dn-Red	Brass

Lowest Replaceable Parts

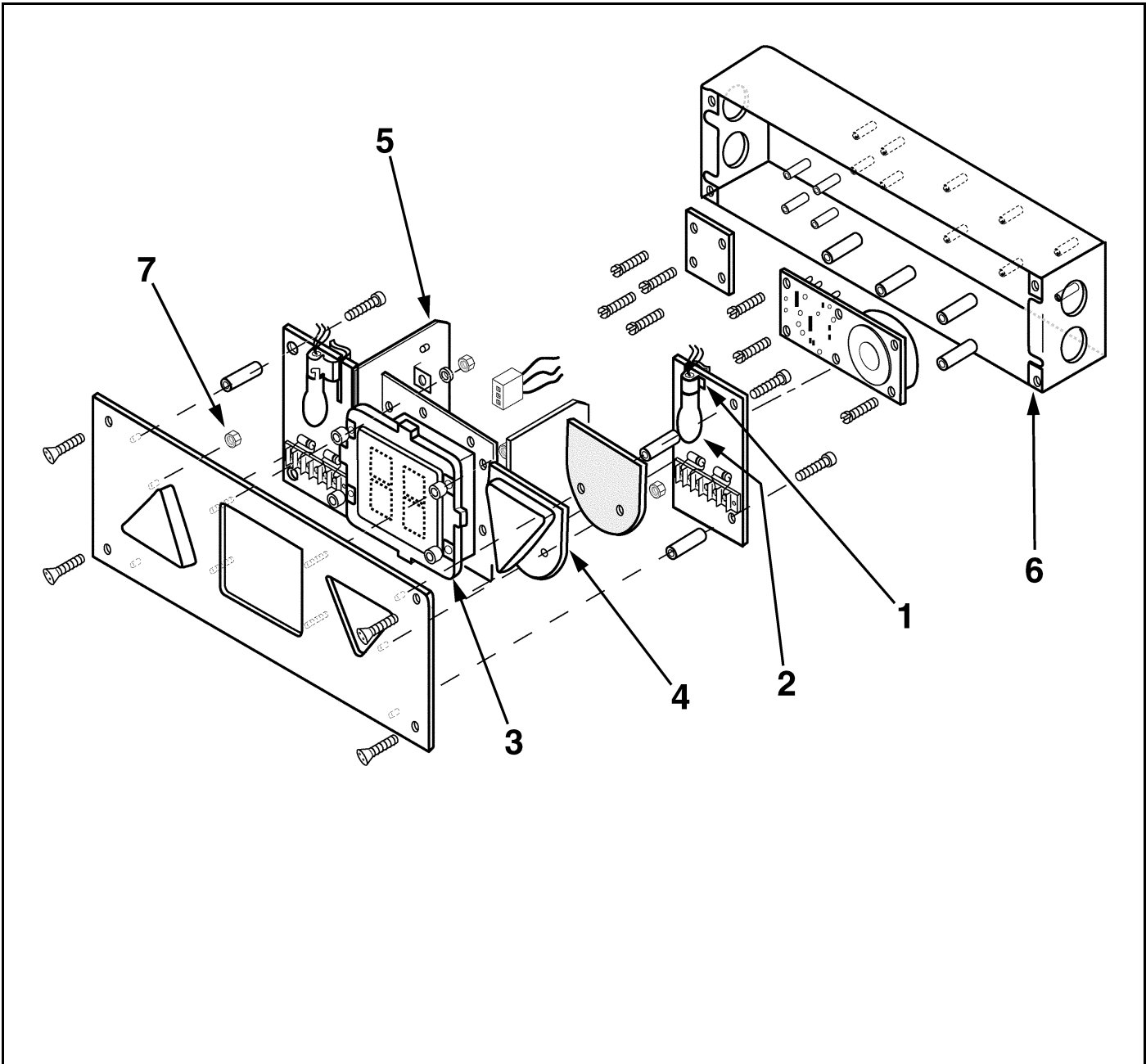
34-6646EG



REF. NO.	PART NO.	DESCRIPTION	
1	313CJ1	Box, 13.62 x 4.8 x 2.88 w/ Knockouts	
2	P614AS4 AAA447AC5	Connector	
3	612B3 AAA612AF3	Diode 400 V, with 0.20 Polyvinyl Sleeve (for arrangements 1-24 only)	
4	P462FM21	Distance Piece (for arrangements 25-48 only)	
5	437AP5 137AP11	Distance Piece, 1.38 in. L x 1/2 in. \varnothing	
6	354AG5	Distance Piece, 1.4 in. L, 6-32 UNC2 Thread	
7	147MV1	Faceplate, St. Steel	Type 1
	147MV2	Faceplate, Bronze	
	147MV3	Faceplate, St. Steel	Type 2
	147MV4	Faceplate, Bronze	
	147MV5	Faceplate, St. Steel	Type 3
	147MV6	Faceplate, Bronze	
	147MV7	Faceplate, St. Steel	Type 4
	147MV8	Faceplate, Bronze	
	147MV9	Faceplate, St. Steel	Type 5
	147MV10	Faceplate, Bronze	

Lowest Replaceable Parts

34-6646EG

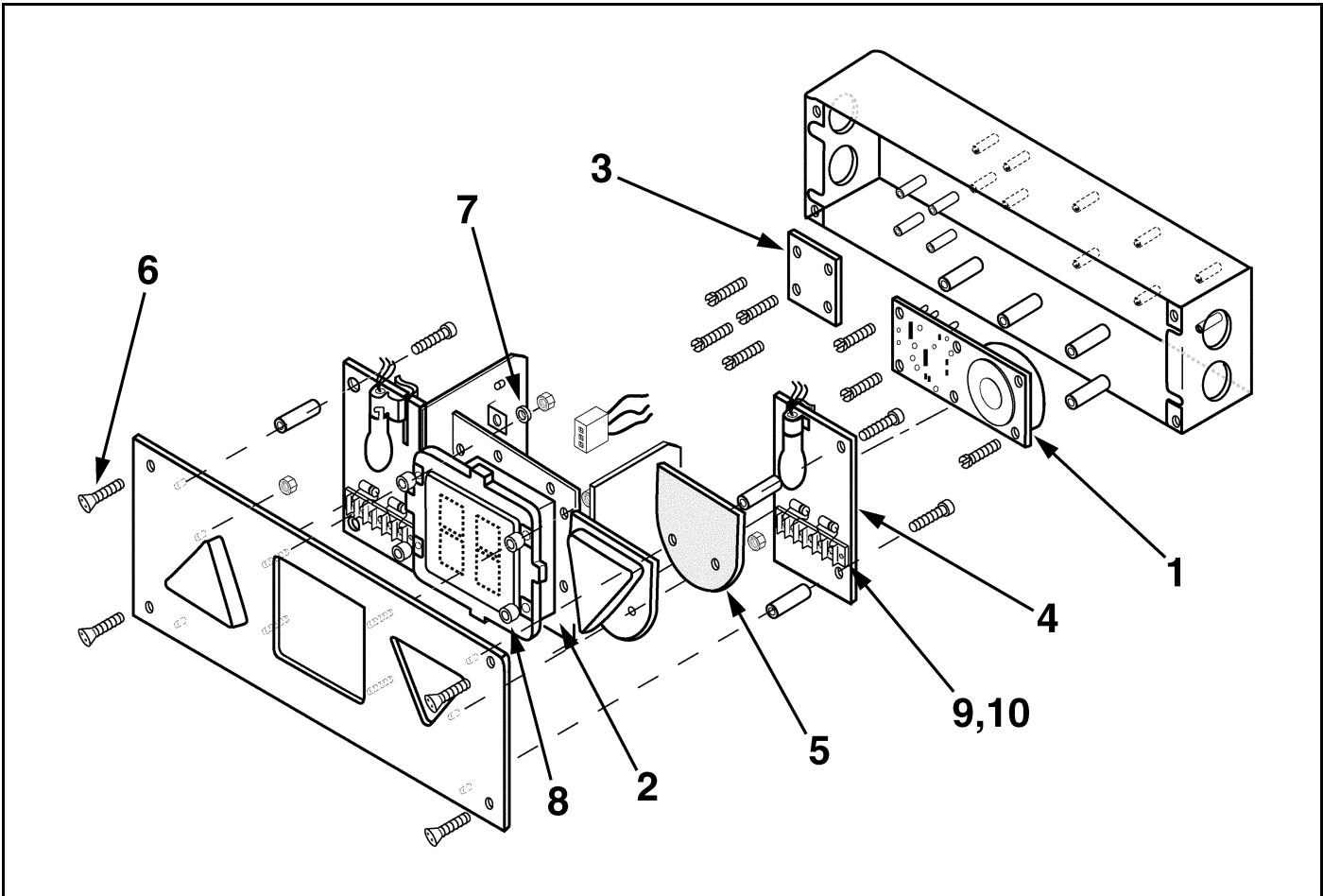


REF. NO.	PART NO.	DESCRIPTION
1	467AX1	Lamp Socket, Bayonet Base, Double Contact
2	424D5	Lamp, 35 V (For Longer Life but Lower Illumination)
	424D2	Lamp, 28 V
3	443CC1	Lens, Green, 4.488 x 4.488 in. (Position Indicator)
4*	A449AS1	Lens, White Triangle Shape (Lantern)
	449BA1	Lens, White Round Shape, (Lantern)
5	AAA6646FC1	Light Shade
6*	72CE40	Nut, Speed, #8-32
	72BX7	
7	Obtain Local	Nut, Whiz, 6-32 (to lens stud)

*Part not illustrated, location only shown.

Lowest Replaceable Parts

34-6646EG



REF. NO.	PART NO.	DESCRIPTION
1	8200BE4	PC Board, Gong
	A8200BE1**	
2***	8200DA4	PC Board, Position Indicator
	ACA26800HJ1	
3	C8121BB1	PC Board, Power Buffer (for arrangements 25-48 only)
4	105KF1	Plate, Brass
5*	443BK1	Plexiglas, Transparent Red, For Triangle Lens
	443BK2	Plexiglas, Transparent Red, For Round Lens
6	VP 855885	Screw, Spanner Oval Head, 8-32 x 3/4 in. Brass
	124DK2	
	VP 855880	Screw, Spanner Oval Head, 8-32 x 3/4 in. Stainless Steel
	124DK1	
7	462GV4	Spacer, 0.030 in. L
8	462GV1	Spacer, 0.125 in. L
9	102EY27	Strip, Marking (for arrangements 1-24 only)
10	102EY28	Strip, Marking (for arrangements 25-48 only)
11	P303BB4	Terminal Block

* Part not illustrated, location only shown.
 ** A8200BE1 is a functional substitute, sound may differ. If objectionable contact Customer Service for repair.
 *** Recommended spare part.