

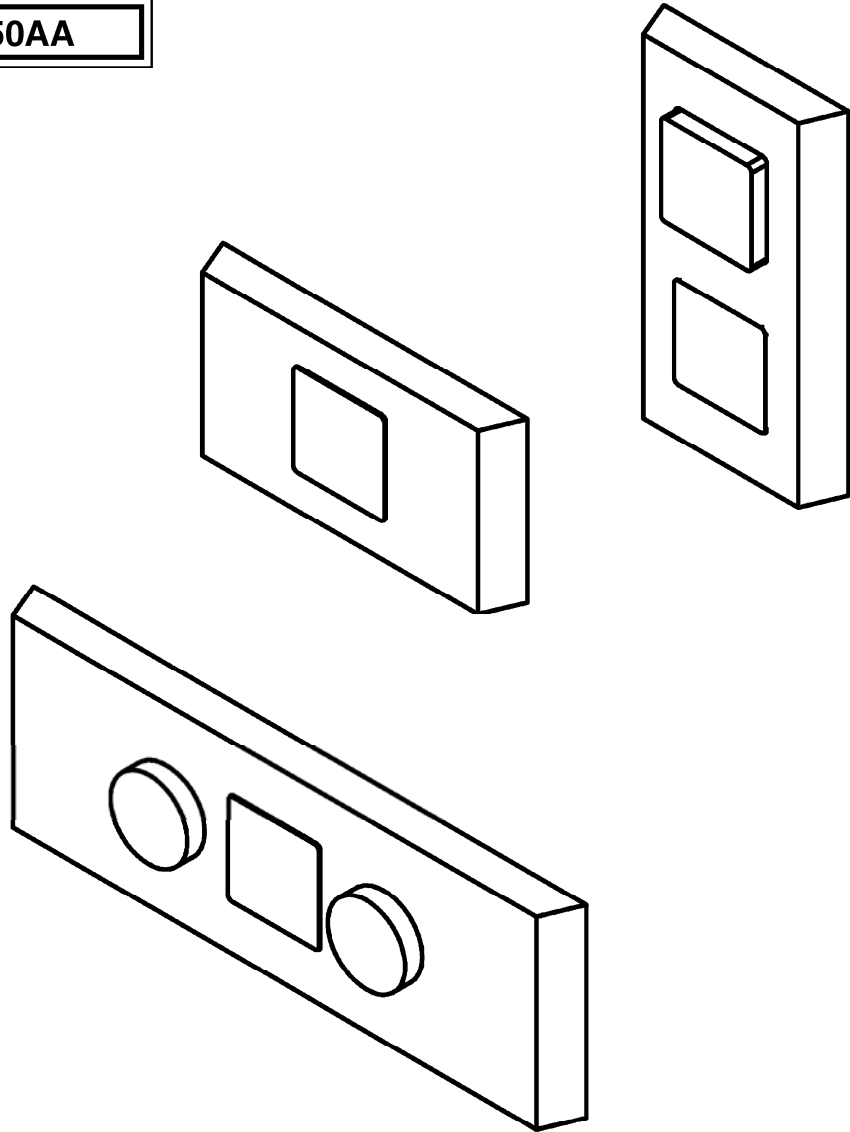
Surface-Mounted Position
Indicators, Direction
Indicators, & PI/DI Combos

Spare Parts Leaflet

34-AAA23550AA

July 4, 2018 / Page 1 of 6

34 A - AAA23550AA



OTIS

This document does not contain any
technical data subject to EAR or ITAR

SERVICE ENGINEERING
Otis Elevator Company
Bloomfield, Connecticut USA

Unpublished Work—© Otis Elevator Co.; 2018

Leaflet Description

This leaflet provides spare parts information for surface-mounted hall lanterns with CE Electronics components.

Leaflet Revisions

| Date Revised | Subject Matter Expert | Reason for Revision |
|-----------------|-----------------------|--------------------------------|
| January 2, 2008 | Mike Bertini | New SPL. |
| July 4, 2018 | Joseph Zych | Corrected illustration on p. 4 |

Related Drawings

| Drawing No. | Title | Drawing No. | Title |
|-------------|-----------------------|-------------|-------|
| AAA23550AA | Hall Lantern Assembly | | |
| AAA23550AB | Hall Lantern Kit | | |

Related Documents

| Document ID | Title |
|-------------|-------|
| --- | --- |
| --- | --- |

Subject Matter Expert

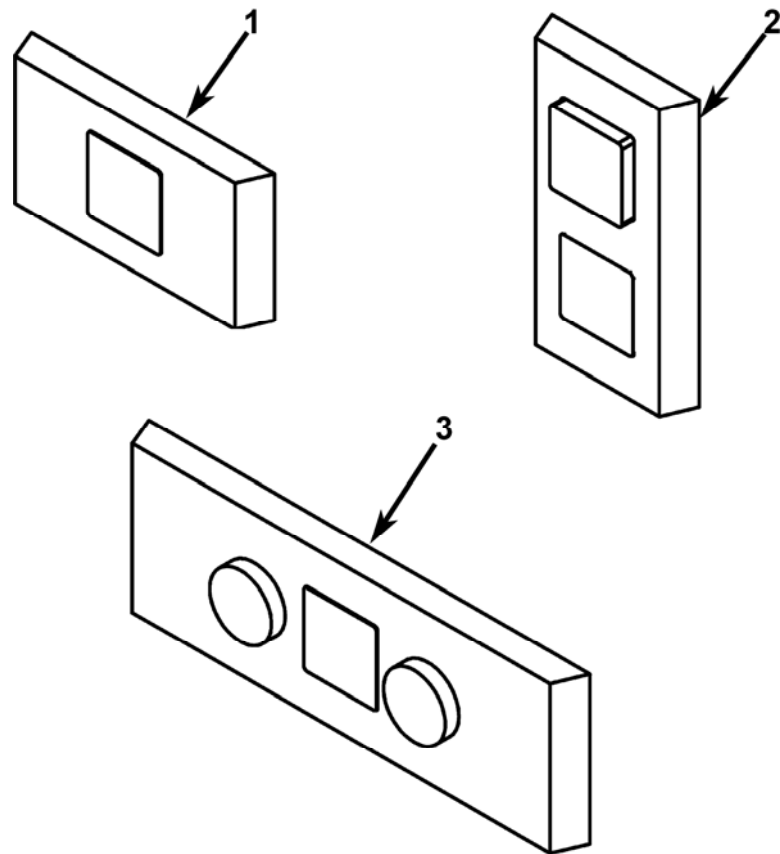
| Name | Department |
|-------------|-------------------------|
| Joseph Zych | OSC Service Engineering |

About Spare Parts Leaflets...

This document lists the lowest replaceable units (LRUs) for the standard version of the product. The LRUs are chosen by a team of Otis associates representing engineering and manufacturing.

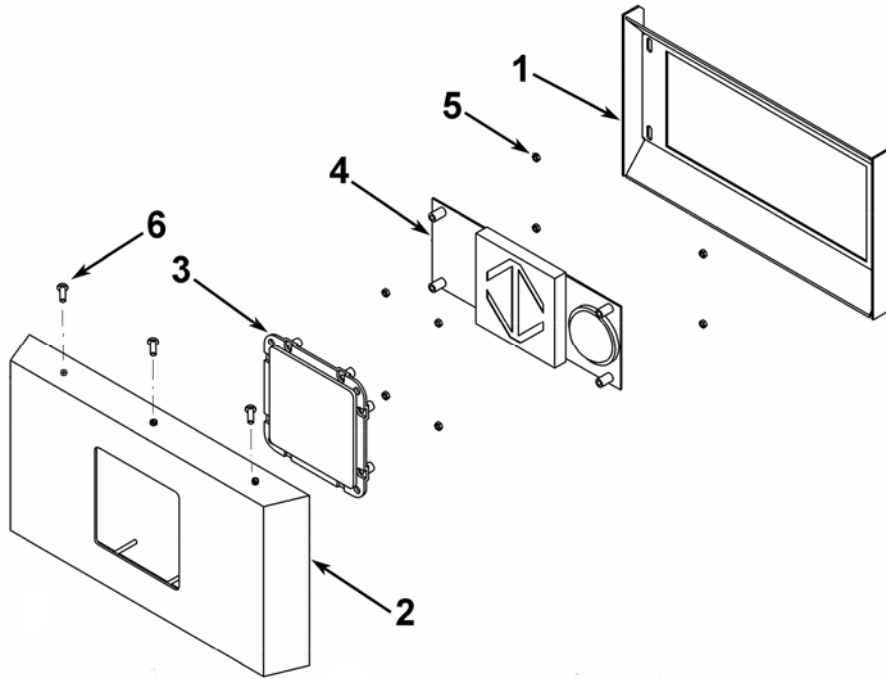
While goal of this document is to make parts identification as easy as possible, the document cannot be all-inclusive. Elevator and escalator contracts classified as "special" or "custom" are not addressed here. For such contracts, please refer to specified information, the contract folder, TIPs, Field Education Articles, Construction Letters, etc. for further information.

If you have any suggestions about this document, please contact the subject matter expert listed on this page.



| REF. No. | PART No. | DESCRIPTION |
|----------|-----------------|--|
| | AAA23550AA | |
| 1 | AAA23550AA1-__ | Direction Indicator, Horizontal Flush Assembly (shown) |
| | AAA23500AA3-__ | Direction Indicator, Vertical Flush Assembly (not shown) |
| | AAA23550AA2-__ | Direction Indicator, Horizontal Raised Assembly (not shown) |
| | AAA23550AA4-__ | Direction Indicator, Vertical Raised Assembly (not shown) |
| 2 | AAA23550AA5-__ | Direction and Position Indicator, Horizontal Flush Assembly (not shown) |
| | AAA23550AA6-__ | Direction and Position Indicator, Horizontal Raised Assembly (not shown) |
| | AAA23550AA7-__ | Direction and Position Indicator, Vertical Flush Assembly (not shown) |
| | AAA23550AA8-__ | Direction and Position Indicator, Vertical Raised Assembly (shown) |
| 3 | AAA23550AA9-__ | Direction Indicator, Horizontal Round Assembly (shown) |
| | AAA23550AA10-__ | Direction Indicator, Vertical Round Assembly (not shown) |

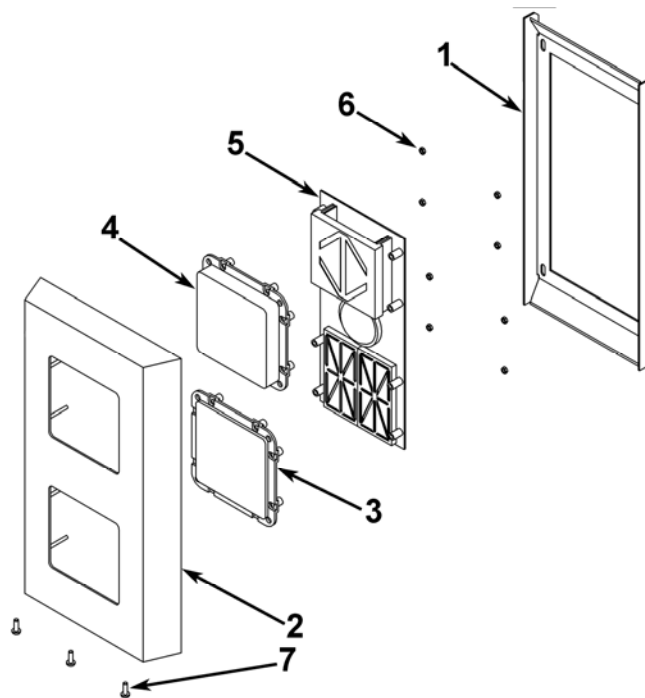
NOTE: Complete part identification: AAA23550AA _ _ _ . Finishes: SS4 = brushed stainless steel Otis 4, SS8 = mirror stainless steel, BR8 = mirror brass, BR7 = brushed and lacquered Otis 7 brass.



| REF. No. | PART No. | DESCRIPTION |
|----------|----------------------|--|
| | AAA23550AA | |
| 1 | AAA386MCF3 | Backing Plate, Horizontal |
| | AAA386MCF6 | Backing Plate, Vertical |
| 2 | AAA147SK1-___ | Faceplate, Horizontal |
| | AAA147SK2-___ | Faceplate, Vertical |
| 3 | AAA443EC2 | Lens, Flush (shown) |
| | AAA443EC3 | Lens, Raised (not shown) |
| 4 | AAA23550AB1 | PC Board, Direction Indicator, Horizontal, Flush |
| | AAA23550AB2 | PC Board, Direction Indicator, Horizontal, Raised |
| | AAA23550AB3 | PC Board, Direction Indicator, Vertical, Flush |
| | AAA23550AB4 | PC Board, Direction Indicator, Vertical, Raised |
| 5 | ISO4032M3-8-Z | Nut, M3 Hexagon |
| --- | AAA54S1 | Shell, Expansion (mounting hardware, not shown) |
| --- | ISO70495T4.2X25-CH-Z | Screw, Pan Head, Tapping, Steel 4, 2 x 25 (mounting hardware, not shown) |
| 6 | AAA124HE1 | Screw, Tamper Resistant |

NOTE: Complete part identification: AAA147SK_ - _ _ _ . Finishes: SS4 = brushed stainless steel Otis 4, SS8 = mirror stainless steel, BR8 = mirror brass, BR7 = brushed and lacquered Otis 7 brass.

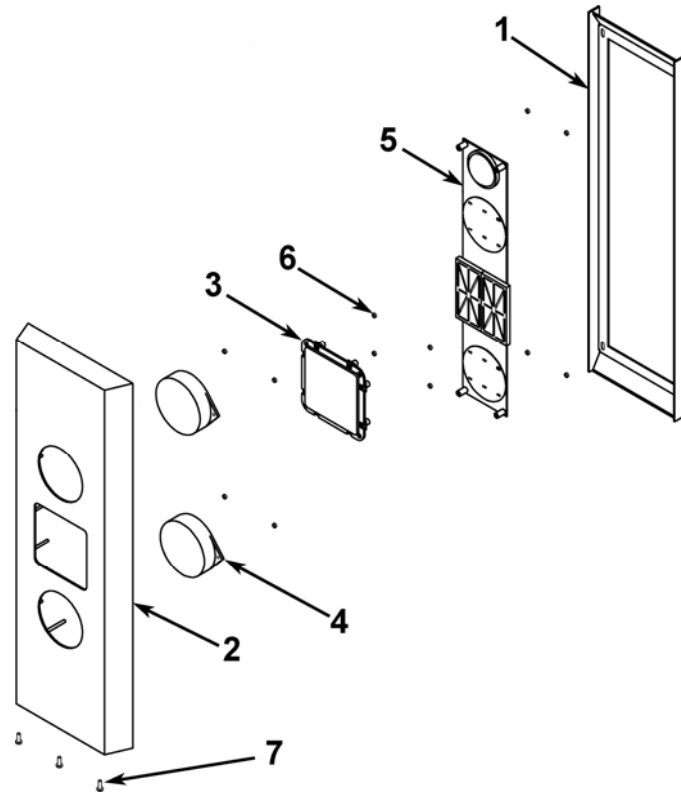
Components



| REF. No. | PART No. | DESCRIPTION |
|----------|----------------------|--|
| | AAA23550AA | |
| 1 | AAA386MCF1 | Backing Plate, Horizontal |
| | AAA386MCF4 | Backing Plate, Vertical |
| 2 | AAA147SK3-___ | Faceplate, Horizontal |
| | AAA147SK4-___ | Faceplate, Vertical |
| 3 | AAA443EC2 | Lens, Flush |
| 4 | AAA443EC3 | Lens, Raised |
| 5 | AAA23550AB5 | PC Board, Position & Direction Indicator, Horizontal, Flush |
| | AAA23550AB6 | PC Board, Position & Direction Indicator, Horizontal, Raised |
| | AAA23550AB7 | PC Board, Position & Direction Indicator, Vertical, Flush |
| | AAA23550AB8 | PC Board, Position & Direction Indicator, Vertical, Raised |
| 6 | ISO4032M3-8-Z | Nut, M3 Hexagon |
| --- | AAA54S1 | Shell, Expansion (mounting hardware, not shown) |
| --- | ISO70495T4.2X25-CH-Z | Screw, Pan Head, Tapping, Steel 4, 2 x 25 (mounting hardware, not shown) |
| 7 | AAA124HE1 | Screw, Tamper Resistant |

NOTE: Complete part identification: AAA147SK_ _ _ _ . Finishes: SS4 = brushed stainless steel Otis 4, SS8 = mirror stainless steel, BR8 = mirror brass, BR7 = brushed and lacquered Otis 7 brass.

Position & Direction Indicator Components, Round



| REF. No. | PART No. | DESCRIPTION |
|----------|----------------------|--|
| | AAA23550AA | |
| 1 | AAA386MCF2 | Backing Plate, Horizontal, Round |
| | AAA386MCF5 | Backing Plate, Vertical, Round |
| 2 | AAA147SK5-___ | Faceplate, Horizontal, Round |
| | AAA147SK6-___ | Faceplate, Vertical, Round |
| 3 | AAA443EC2 | Lens, Flush |
| 4 | 449BA1 | Lens, Round |
| 5 | AAA23550AB9 | PC Board, Position & Direction Indicator, Horizontal, Round |
| | AAA23550AB10 | PC Board, Position & Direction Indicator, Vertical, Round |
| 6 | ISO4032M3-8-Z | Nut, M3 Hexagon |
| --- | AAA54S1 | Shell, Expansion (mounting hardware, not shown) |
| --- | ISO70495T4.2X25-CH-Z | Screw, Pan Head, Tapping, Steel 4, 2 x 25 (mounting hardware, not shown) |
| 7 | AAA124HE1 | Screw, Tamper Resistant |

NOTE: Complete part identification: AAA147SK_ _ _ _ . Finishes: SS4 = brushed stainless steel Otis 4, SS8 = mirror stainless steel, BR8 = mirror brass, BR7 = brushed and lacquered Otis 7 brass.