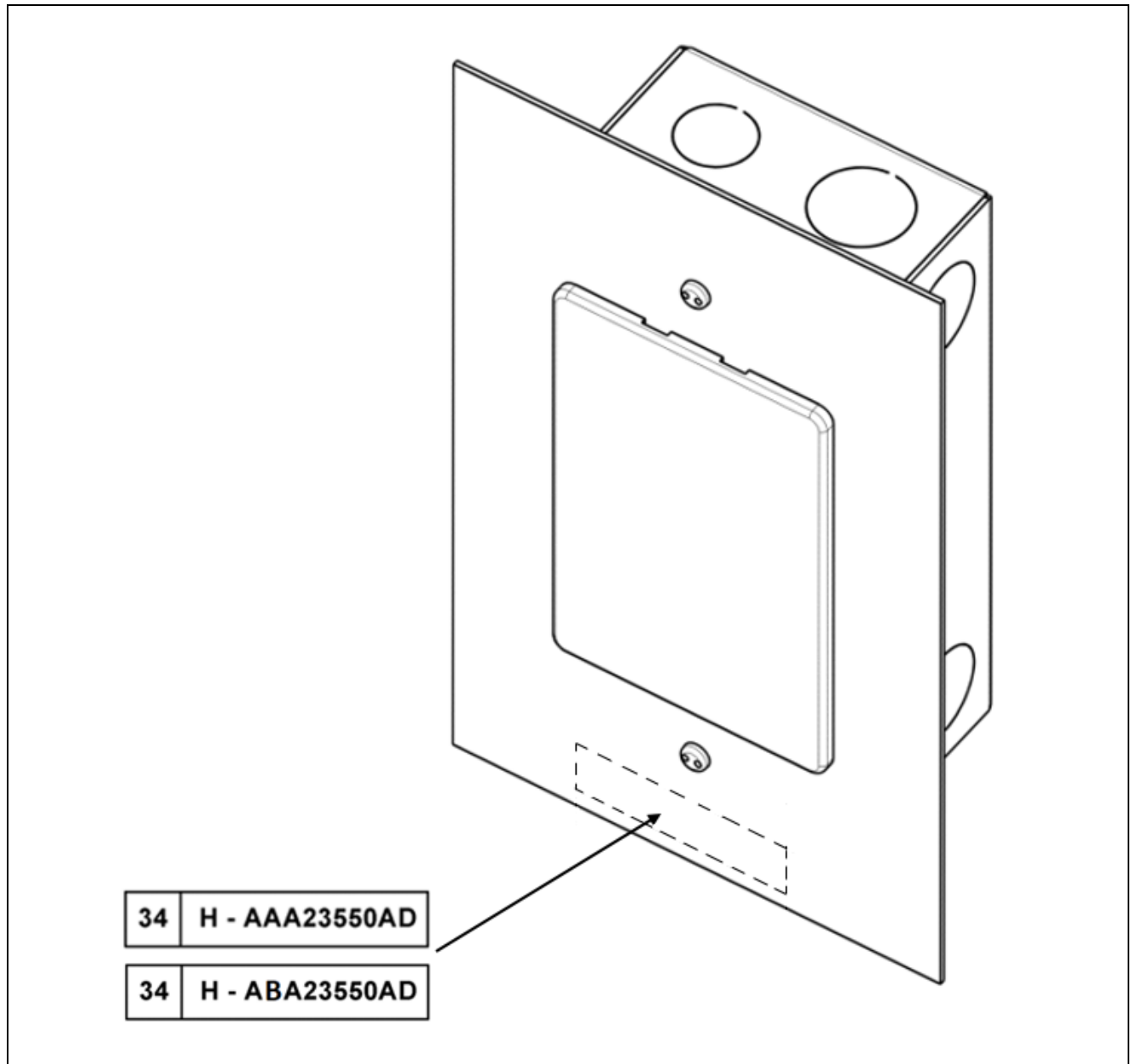


Hall Lantern Fixture (SkyRise®)

Spare Parts Leaflet

34-AAA23550AD

February 21, 2024 / Page 1 of 3



OTIS

This document does not contain any technical data subject to EAR or ITAR

SERVICE ENGINEERING

Otis Elevator Company

Bloomfield, Connecticut USA

Unpublished Work—© Otis Elevator Co.; 2024

Leaflet Description

This leaflet provides information for all LRU replacement components for this hall lantern assembly.

Leaflet Revisions

Date Revised	Subject Matter Expert	Reason for Revision
January 8, 2014	Joseph D Zych	New SPL
March 16, 2016	Joseph D Zych	Added p/n ABA26800AMZ5 on p. 3.
February 12, 2020	Ramone Reynolds	AAA124HE5 was AAA124HE1, and AAA124HE10 was AAA124HE9 on p. 3.
February 21, 2024	Vadzim Fedarenka	Updated images on p. 1 & 3; changed SME; added A6463W14 to ref. 1 & ABA26800BAN1 part on p. 3.

Related Drawings

Drawing No.	Title	Drawing No.	Title
AAA23550AD	Hall Lantern Fixture	AAA147VF	Plate Assembly
A6463W	Assembly Modular In Car Lantern		

Related Documents

Document ID	Title
SPL 33-6463T	Fixture, Advanced & Modular, In-Car Lantern

Subject Matter Expert

Name	Department
Vadzim Fedarenka	OSC Service Engineering

About Spare Parts Leaflets...

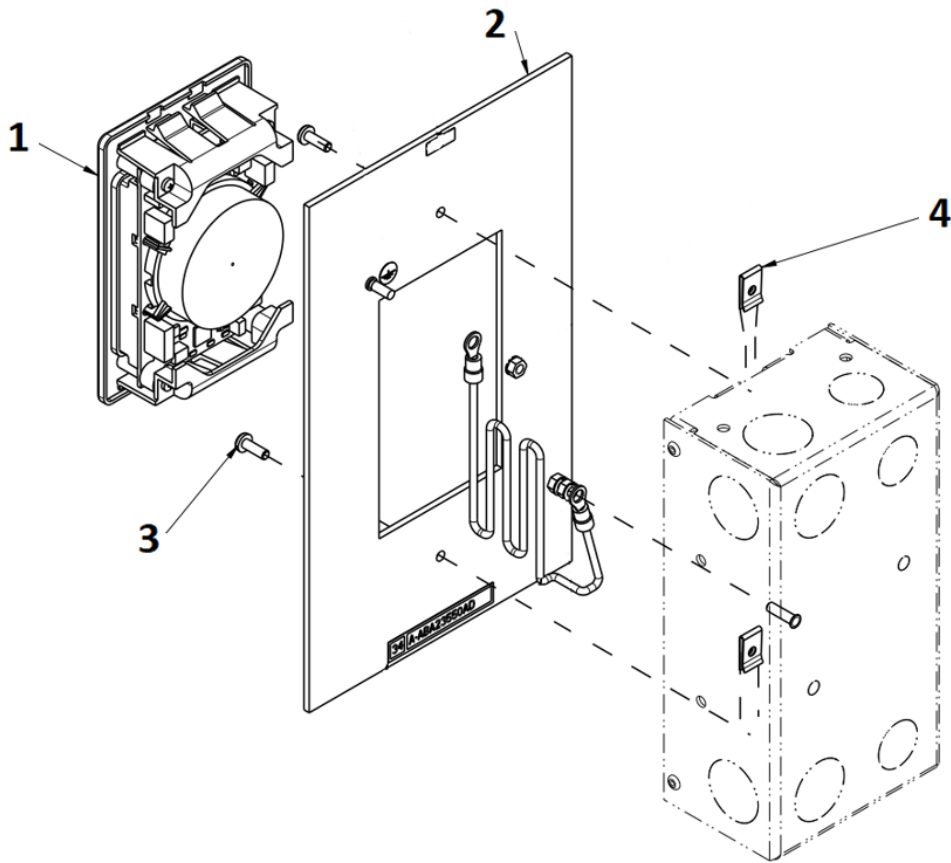
This document lists the lowest replaceable units (LRUs) for the standard version of the product. The LRUs are chosen by a team of Otis associates representing engineering and manufacturing.

While goal of this document is to make parts identification as easy as possible, the document cannot be all-inclusive. Elevator and escalator contracts classified as "special" or "custom" are not addressed here. For such contracts, please refer to specified information, the contract folder, TIPs, Field Education Articles, Construction Letters, etc. for further information.

If you have any suggestions about this document, please contact the subject matter expert listed on this page.

Hall Lantern Fixture

34-AAA23550AD



REF. No.	PART No.	DESCRIPTION
	AAA23550AD ABA23550AD	
1	A6463W10	Assembly, Lantern, In-Car (Blue LED)
	A6463W13	Assembly, Lantern, In-Car (Blue LED For Can Fixtures)
	A6463W14	Assembly, Lantern, In-Car, RSL/CAN, LED Select-a-Color: Red, Green, Blue, White
*	AAA26800AMZ5 ABA26800AMZ5	Assembly, PCB, for RSL In-Car Lantern (Blue LED)
	ABA26800AXL4	Assembly, In-Car Lantern CAN (Blue LED)
	ABA26800BAN1	Assembly, PCB, RSL/CAN, LED Select-a-Color: Red, Green, Blue, White
2	AAA147VF1	Faceplate, FS4 Finish (Ferritic Stainless Steel)
	AAA147VF2	Faceplate, BT Finish (Bronze Tinted)
3	AAA124HE5	Screw, Tamper Resistant (Stainless Steel)
	AAA124HE10	Screw, Tamper Resistant (Bronze Tinted)
4	72BX7	Speed Nut, #8/M4

* Part not shown.