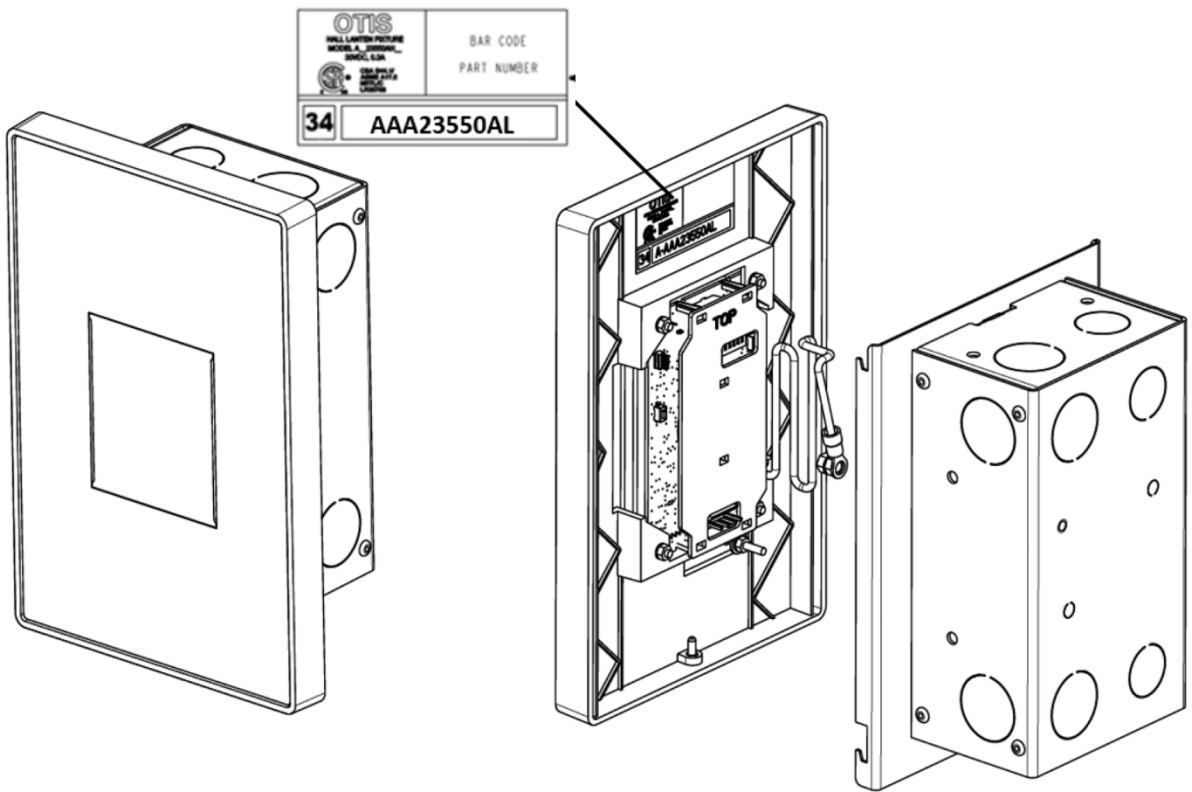


# Hall Lantern Assembly for Gen3Core Elevator

**Spare Parts Leaflet**

**34-AAA23550AL**

**December 20, 2023 / Page 1 of 3**



# OTIS

This document does not contain any technical data subject to EAR or ITAR

**SERVICE ENGINEERING**  
**Otis Elevator Company**  
**Bloomfield, Connecticut USA**

Unpublished Work—© Otis Elevator Co.; 2023

**Leaflet Description**

This spare parts leaflet lists the lowest replaceable units for hall lantern display assembly.

**Leaflet Revisions**

<b>Date Revised</b>	<b>Subject Matter Expert</b>	<b>Reason for Revision</b>
March 1 2023	Sathyaraj Sellapandi and Vadzim Fedarenka	New SPL
December 20, 2023	Vadzim Fedarenka	Removed AAA23550AL2 & ABA26800BCK2 as unavailable.

**Related Drawings**

<b>Drawing No.</b>	<b>Title</b>	<b>Drawing No.</b>	<b>Title</b>
AAA23550AL	Hall Lantern Assembly	---	---
---	---	---	---

**Related Documents**

<b>Document ID</b>	<b>Title</b>
---	---
---	---

**Subject Matter Expert**

<b>Name</b>	<b>Department</b>
Vadzim Fedarenka	OSC Service Engineering

**About Spare Parts Leaflets...**

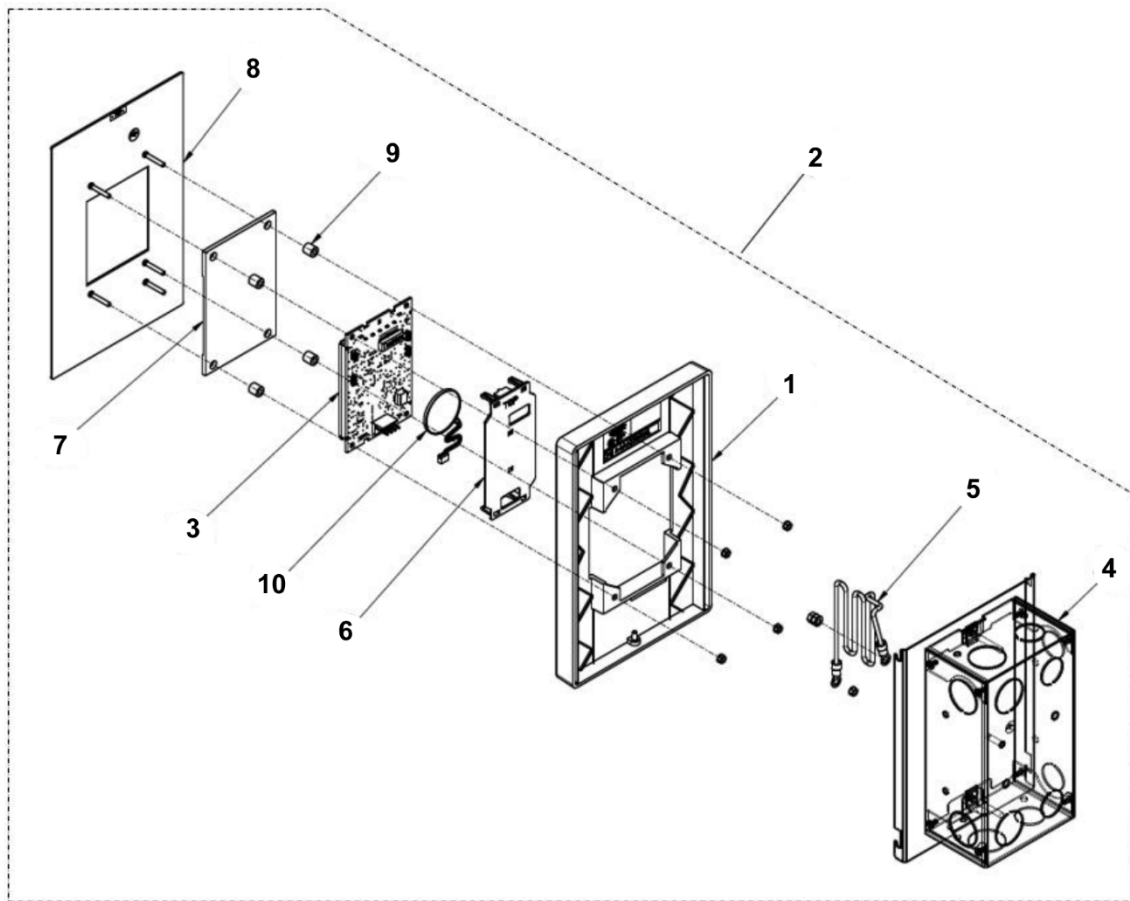
This document lists the lowest replaceable units (LRUs) for the standard version of the product. The LRUs are chosen by a team of Otis's associates representing engineering and manufacturing.

While goal of this document is to make parts identification as easy as possible, the document cannot be all-inclusive. Elevator and escalator contracts classified as "special" or "custom" are not addressed here. For such contracts, please refer to specified information, the contract folder, TIPS, Field Education Articles, Construction Letters, etc. for further information.

If you have any suggestions about this document, please contact the subject matter expert listed on this page.

# Hall Lantern Assembly

**34-AAA23550AL**



AAA23550AL		
REF. No.	PART No.	DESCRIPTION
1	AAA374AFV1	Assembly, Bezel
2	AAA23550AL1	Assembly, Hall Lantern/In-Car Display, Clear Lens, Blue LCD Display
3	ABA26800BCK1	Assembly, PC-Board, w/ Blue LCD Display
4	AAA309FS4	Box, Junction
5	AAA175ABY16	Conductor, Ground Wire
6	AAA180KR1	Holder
7	AAA449CB2	Lens, Clear
8	AAA147ABN2-FS4	Plate, Face
9	AAA462AL3	Spacer
10	AAA655D2	Transducer, Communication