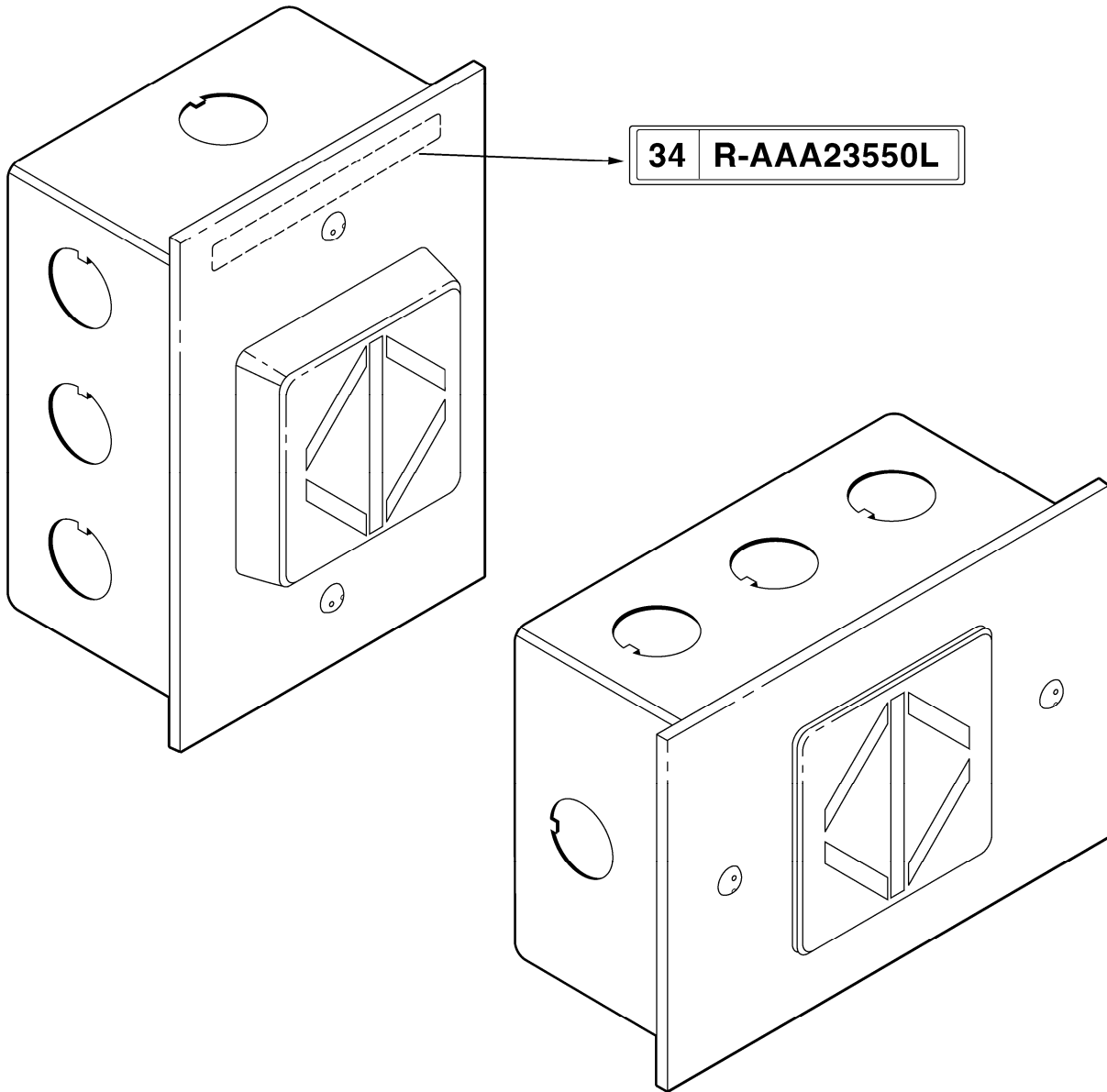


Hall Lantern Assembly

Spare Parts Leaflet

34-AAA23550L

February 1, 2000 / Page 1 of 4



OTIS

Safety First!

SERVICE ENGINEERING

**Otis Elevator Company
Bloomfield, Connecticut USA**

History

34-AAA23550L

First Published: February 1, 2000

Hall Lantern Assembly

REVISED DATE	RESPONSIBLE ENGINEER	PRIMARY REASON FOR REVISION
February 1, 2000	Troy Chicoine	New leaflet

Leaflet Description

This leaflet provides spare parts information for type AAA23550L hall lantern assemblies.

RELATED LEAFLET NUMBERS	TITLES
---	---

DRAWING REFERENCES
AAA23550L

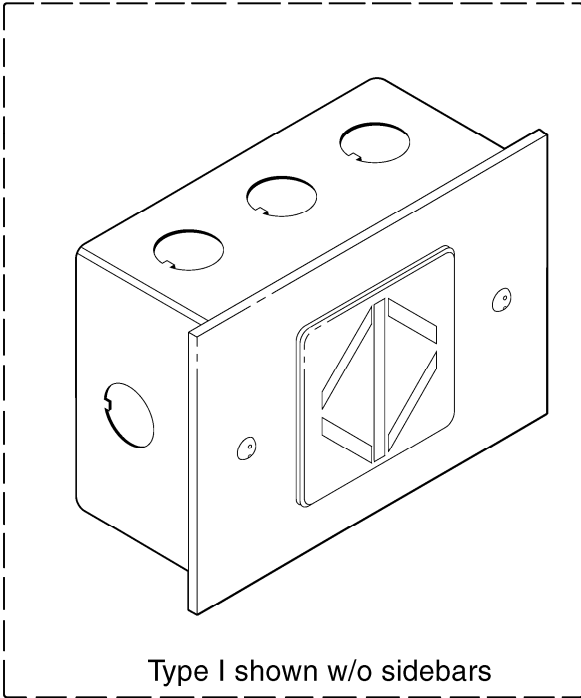
RELATED DOCUMENT NUMBERS	TITLES
---	---

This Spare Parts Leaflet (SPL) is prepared to assist you in determining the Lowest Replaceable Units (LRU) supported by the Otis Service Center for the standard version of the product titled on the preceding page. The parts are chosen by Otis associates from: Engineering, Field Engineering, Service Engineering, and Manufacturing. We attempt to make part identification as easy as possible. The SPL, however, cannot be all inclusive. Elevator and escalator contracts classified as either "special" or "custom" are not addressed. Alternative sources of information such as: the Contract Folder, Technical Information Publications, Field Education Articles, Construction Letters, etc. may give the information you are after. You live in the real world of maintaining your elevator and escalator contracts. On a daily basis, situations arise regarding parts identification and at times, for some reason, the part you need is not in the SPL. If you think a standard part not listed should be—let us know. We will respond.

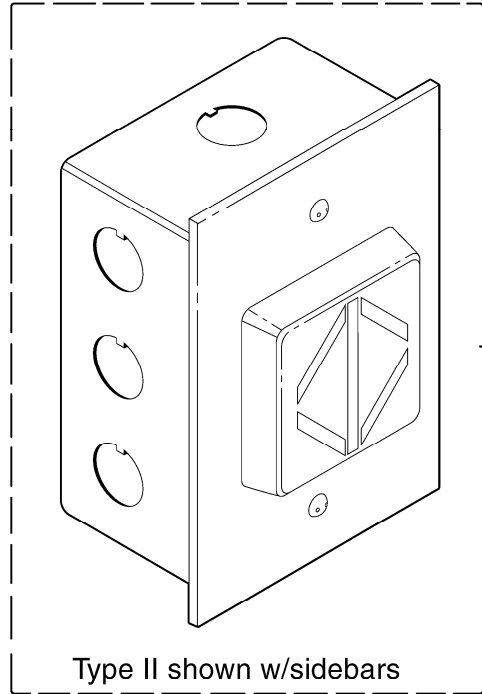
Troy Chicoine—OSC Service Engineering

Hall Lantern Assembly

**34-
AAA23550L**



Type I shown w/o sidebars

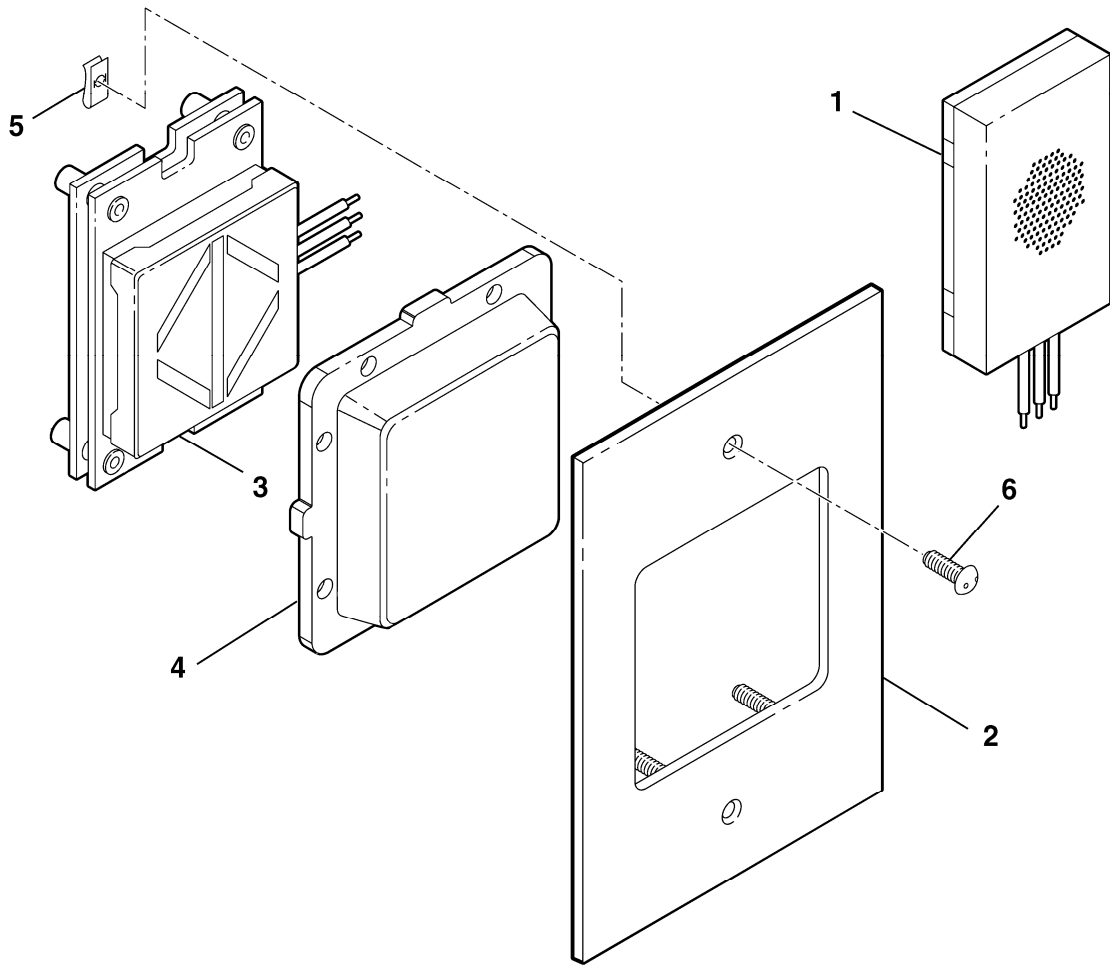


Type II shown w/sidebars

AAA23550L							
REF. NO.	PART or ML	DESCRIPTION	TYPE	VOLTAGE	SIDEBARS	FINISH	
1	AAA23550L1	Assembly, Hall Lantern	I	120 VAC	with	SS4	
	AAA23550L2					BR7	
	AAA23550L3				without	SS4	
	AAA23550L4					BR7	
	AAA23550L5			30 VDC	with	SS4	
	AAA23550L6					BR7	
	AAA23550L7				without	SS4	
	AAA23550L8					BR7	
2	AAA23550L9		Assembly, Hall Lantern	II	120VAC	with	SS4
	AAA23550L10						BR7
	AAA23550L11					without	SS4
	AAA23550L12						BR7
	AAA23550L13				30VDC	with	SS4
	AAA23550L14						BR7
	AAA23550L15					without	SS4
	AAA23550L16						BR7

NOTE: Finish SS4 is brushed stainless steel, BR7 is brushed bronze.

Hall Lantern Components



AAA23550L					
REF. NO.	PART or ML	DESCRIPTION	VOLTAGE	SIDEBARS	FINISH
1	AAA8200BW1	Gong	120 VAC	---	---
	AAA8200BW2		30VDC	---	---
2	147MT7	Faceplate	---	---	SS4
	147MT8		---	---	BR7
3	AAA23550K5	Lantern, PCB	120 VAC	with	---
	AAA23550K3		120 VAC	without	---
	AAA23550K6		30 VDC	with	---
	AAA23550K4		30 VDC	without	---
4	AAA443EC3	Lens	---	with	---
	AAA443EC2		---	without	---
5	72BX7	Nuts, Speed	---	---	---
6	AAA124GT1	Screw, Tamper Resistant	---	---	SS4
	AAA124GT2		---	---	BR7