

# Hall Lantern, Slim Series 5 Fixture

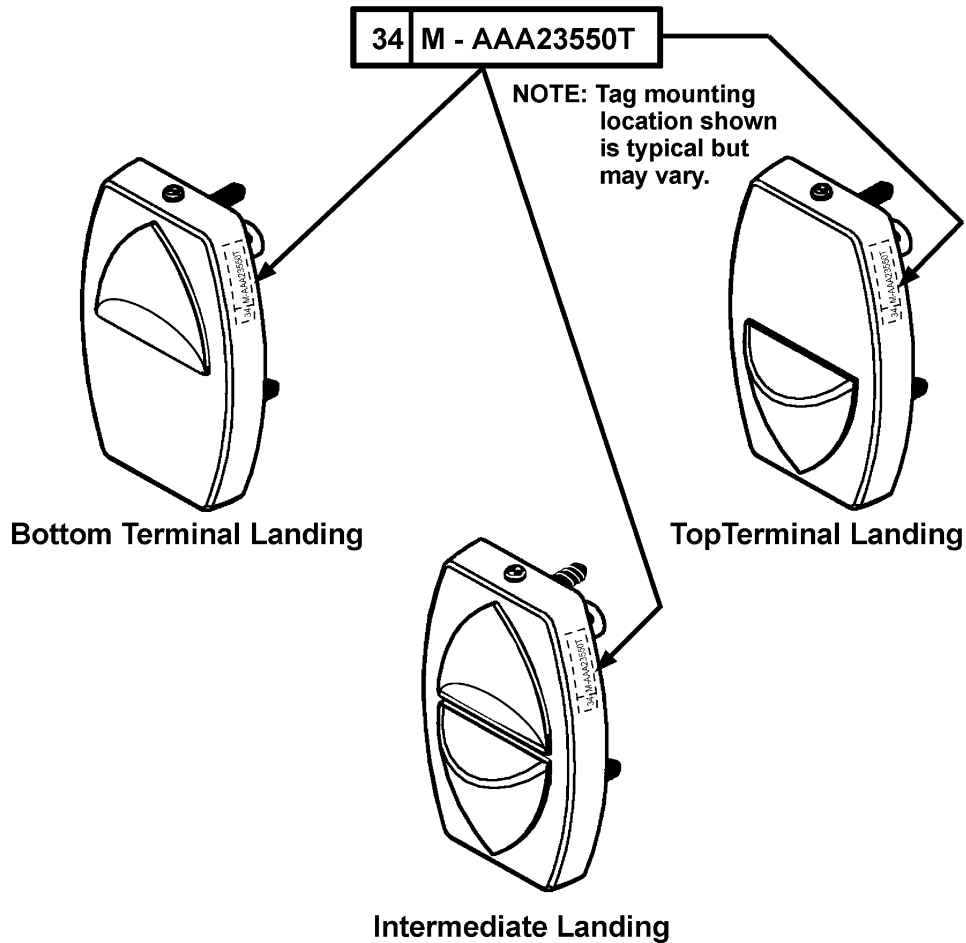
Spare Parts Leaflet

34-AAA23550T

June 19, 2024 / Page 1 of 4

# OBSOLESCENCE NOTICE

The product listed in this SPL is obsolete. Some components may still be available, but Otis recommends an upgrade (see TIP 32.2-1 for potential upgrade).



**OTIS**

This document does not contain any technical data subject to EAR or ITAR

**SERVICE ENGINEERING**  
**Otis Elevator Company**  
**Bloomfield, Connecticut USA**

Unpublished Work—© Otis Elevator Co.; 2024

## Leaflet Description

This leaflet provides spare parts information for the AAA23550T slim hall lantern Series 5 fixture.

## Leaflet Revisions

Date Revised	Subject Matter Expert	Reason for Revision
August 13, 2004	Lisa K. Mitchell	New SPL
December 22, 2006	Michael Bertini	Updated p. 4: p/ns AAA448AL997, 998, and 999 were replaced by AAA448AL994, 995, 996.
June 19, 2024	Juan Murillo	Series 5 fixtures now obsolete.

## Related Drawings

Drawing No.	Title	Drawing No.	Title
AAA23550T	Landing Fixture Slim Hall Lantern Assembly		

## Related Documents

Document ID	Title
---	---

## Subject Matter Expert

Name	Department
Juan Murillo	OSC Service Engineering

## About Spare Parts Leaflets...

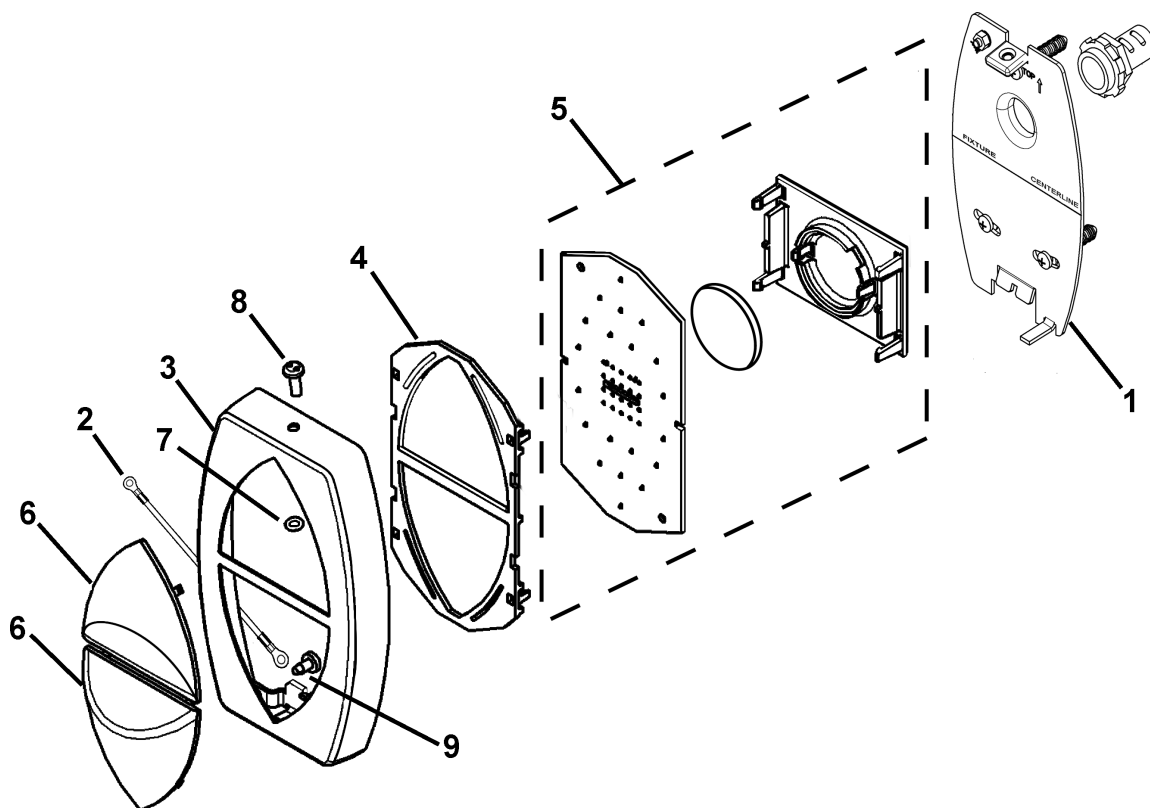
This document lists the lowest replaceable units (LRUs) for the standard version of the product. The LRUs are chosen by a team of Otis associates representing engineering and manufacturing.

While goal of this document is to make parts identification as easy as possible, the document cannot be all-inclusive. Elevator and escalator contracts classified as “special” or “custom” are not addressed here. For such contracts, please refer to specified information, the contract folder, TIPS, Field Education Articles, Construction Letters, etc. for further information.

If you have any suggestions about this document, please contact the subject matter expert listed on this page.

# Slim Hall Lantern - Series 5

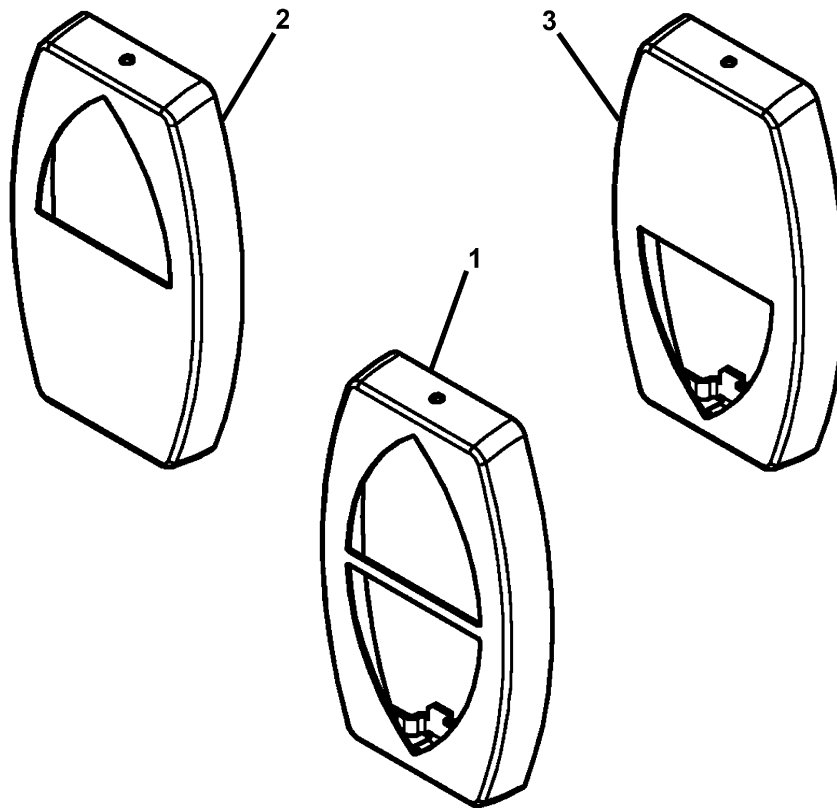
**34-AAA23550T**



AAA23550T		
REF. No.	PART No.	DESCRIPTION
1	AAA308WR4 AAA308WR9	Assembly, Plate, Electrical (NSAA only)
2	AAA175ABY1	Conductor, 14 AWG, 250 mm L (ground)
3	---	Frame (see selection on page 4)
4	AAA180HH1	Holder (PC Board)
5	AAA23550T500	Kit, Lantern PC Board, Holder, and Transducer (for RSL communication)
	AAA23550T501	Kit, Lantern PC Board, Holder, and Transducer (for Discrete communication)
6	AAA274T1	Lens
7	AAA172TY1	O-Ring, Neoprene, 1.78 mm $\varnothing$
8	AAA124HE1	Screw, Tamperproof, M4, Brushed Stainless Steel Finish
	AAA124HE2	Screw, Tamperproof, M4, Brushed Bronze Finish
	AAA124HE3	Screw, Tamperproof, M4, Mirror Stainless Steel Finish
	AAA124HE4	Screw, Tamperproof, M4, Mirror Bronze Finish
9	DIN7500CM4X8-Z-Z	Screw, M4 x 8 mm L

# Hall Lantern Frames

**34-AAA23550T**



<b>AAA23550T</b>			
<b>REF. No.</b>	<b>PART No.</b>	<b>DESCRIPTION</b>	<b>FINISH</b>
1	AAA448AL996-SSB	Frame, Intermediate Landing	Brushed Stainless Steel
	AAA448AL996-SSM	Frame, Intermediate Landing	Mirror Stainless Steel
	AAA448AL996-GOLDB	Frame, Intermediate Landing	Brushed Bronze
	AAA448AL996-GOLDM	Frame, Intermediate Landing	Mirror Bronze
2	AAA448AL995-SSB	Frame, Bottom Terminal, Up Landing	Brushed Stainless Steel
	AAA448AL995-SSM	Frame, Bottom Terminal, Up Landing	Mirror Stainless Steel
	AAA448AL995-GOLDB	Frame, Bottom Terminal, Up Landing	Brushed Bronze
	AAA448AL995-GOLDM	Frame, Bottom Terminal, Up Landing	Mirror Bronze
3	AAA448AL994-SSB	Frame, Top Terminal Down Landing	Brushed Stainless Steel
	AAA448AL994-SSM	Frame, Top Terminal, Down Landing	Mirror Stainless Steel
	AAA448AL994-GOLDB	Frame, Top Terminal, Down Landing	Brushed Bronze
	AAA448AL994-GOLDM	Frame, Top Terminal, Down Landing	Mirror Bronze