

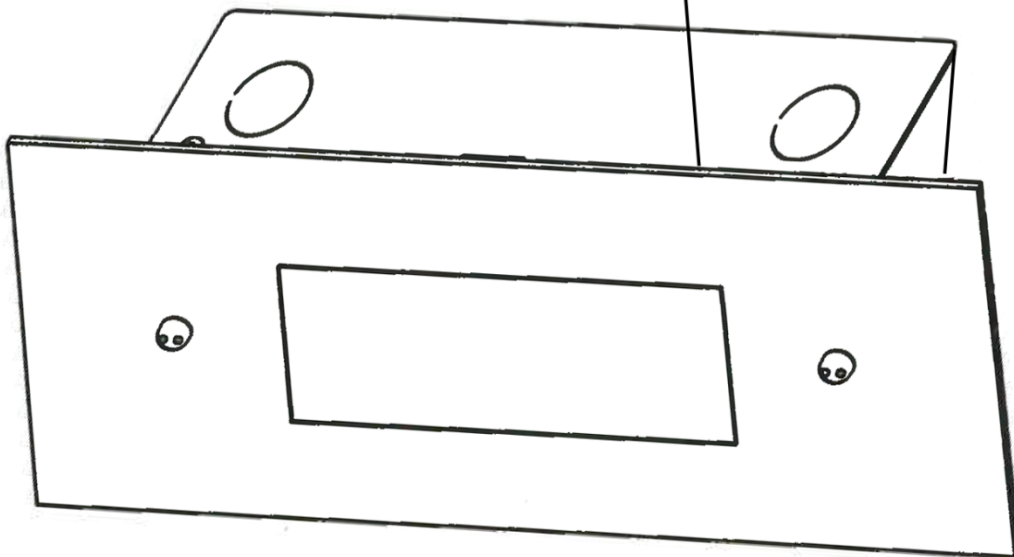
HPI Display
Assembly

Spare Parts Leaflet

34-AAA23600AJ

February 20, 2019 / Page 1 of 3

34 | H - AAA23600AJ



OTIS

This document does not contain any
technical data subject to EAR or ITAR

SERVICE ENGINEERING

Otis Elevator Company

Bloomfield, Connecticut USA

Unpublished Work—© Otis Elevator Co.; 2019

Leaflet Description

This spare parts leaflet lists the lowest replaceable units for HPI display assembly

Leaflet Revisions

Date Revised	Subject Matter Expert	Reason for Revision
December 5, 2012	Joseph Zych	New SPL
March 27, 2013	Joseph Zych	Updated ref. 4 on p. 3
April 16, 2014	Joseph Zych	Corrected illustration on cover page
June 18, 2014	Joseph Zych	Added speed nut part number ref. 10 on p. 3; corrected part numbers in ref. 11 on p. 3
May 3, 2017	Paul Kerr	Updated Ref. 4 on p. 3
February 20, 2019	Joseph Zych	Corrected Ref. 4 on p. 3

Related Drawings

Drawing No.	Title	Drawing No.	Title
AAA23600AJ	Display Assembly, HPI	---	---

Related Documents

Document ID	Title
---	---

Subject Matter Expert

Name	Department
Joseph Zych	OSC Service Engineering

About Spare Parts Leaflets...

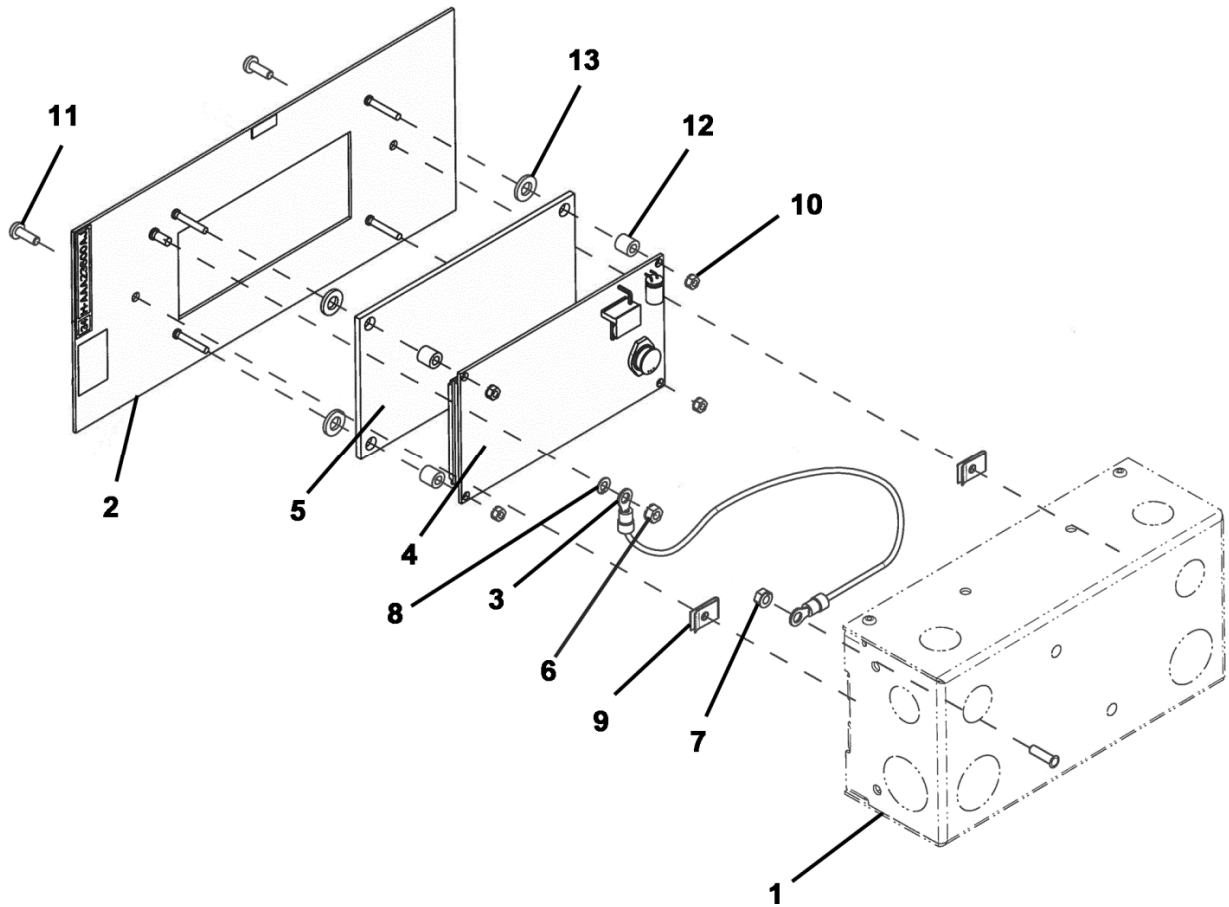
This document lists the lowest replaceable units (LRUs) for the standard version of the product. The LRUs are chosen by a team of Otis associates representing engineering and manufacturing.

While goal of this document is to make parts identification as easy as possible, the document cannot be all-inclusive. Elevator and escalator contracts classified as "special" or "custom" are not addressed here. For such contracts, please refer to specified information, the contract folder, TIPS, Field Education Articles, Construction Letters, etc. for further information.

If you have any suggestions about this document, please contact the subject matter expert listed on this page.

HPI Display Assembly

34-AAA23600AJ



REF. No.	PART No.	DESCRIPTION
	AAA23600AJ	
1	313CA4 AAA309EC2	Assembly, Electrical Box
2	AAA147TL3	Assembly, Faceplate, Ferritic Stainless Steel Finish
	AAA147TL4	Assembly, Faceplate, Tinted Bronze Finish
3	AAA175ACC6	Conductor, Ground Wire
4	DBA26800AM5 DAA26800AM1	Display, CPI, RSL Type
	DAA26800CC1	Display, CPI, CAN Type
5	AAA449CB1	Lens, HPI Display
6	NON7203M3-8-Z	Lock Nut, M3 Hexagon, w/ Lock Washer
7	NON7203M4-8-Z	Lock Nut, M4 Hexagon, w/ Lock Washer
8	DIN6797A-M4-350HV-Z	Lock Washer, Tooth, M4 External
9	72BX7	Nut, Speed, #8/M4
10	AAA72MC1	Nut, Speed, M3
11	AAA124HE5	Screw, Tamper Resistant, Ferritic Stainless Steel Finish
	AAA124HE10	Screw, Tamper Resistant, Tinted Bronze Finish
12	AAA462AL3	Spacer, Nylon
13	AAA129DW37	Washer, Nylon