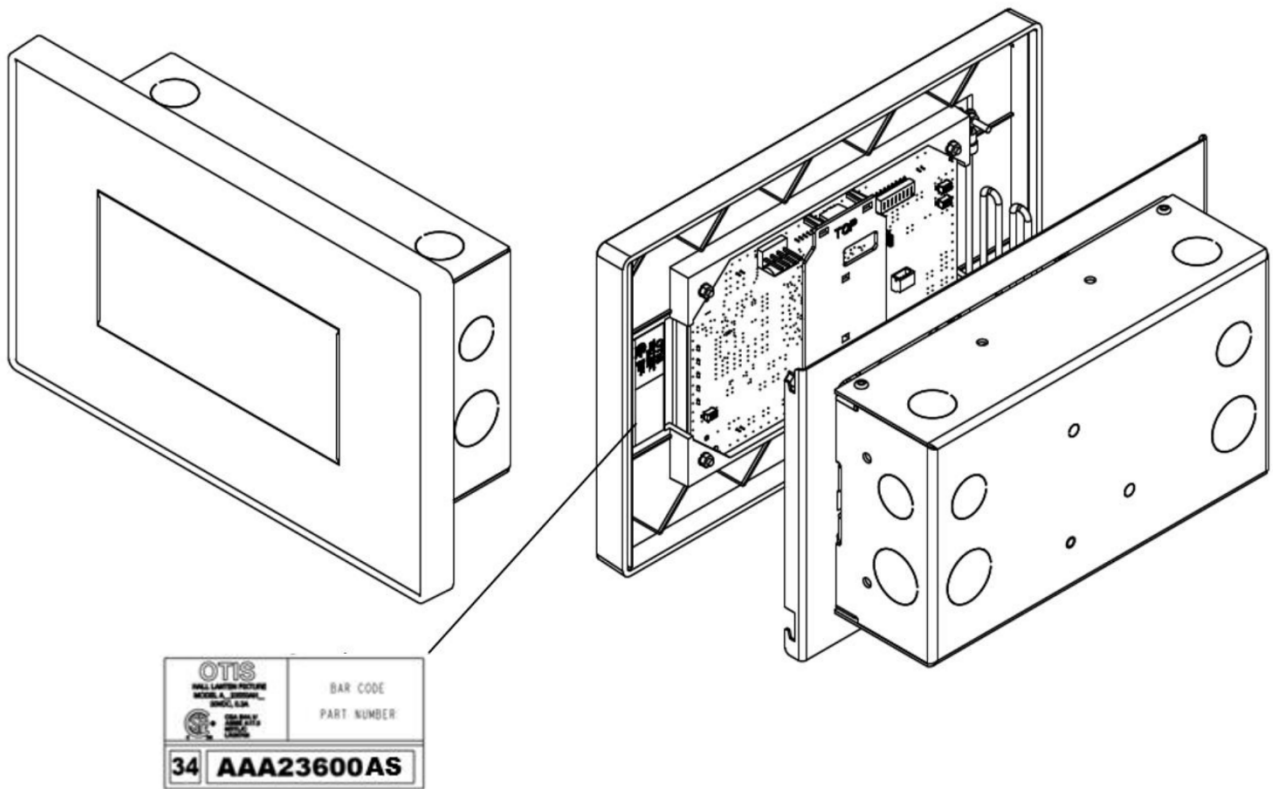


**Hall Position Assembly,  
HPI / Combo Display  
for Gen3 Core Elevator**

**Spare Parts Leaflet**

**34-AAA23600AS**

**February 14, 2024/ Page 1 of 3**



**OTIS**

This document does not contain any technical data subject to EAR or ITAR

**SERVICE ENGINEERING**  
**Otis Elevator Company**  
**Bloomfield, Connecticut USA**

Unpublished Work—© Otis Elevator Co.; 2024

# History

**34-AAA23600AS**

## Leaflet Description

This spare parts leaflet lists the lowest replaceable units for HPI/HALLCOMBO display assembly.

## Leaflet Revisions

Date Revised	Subject Matter Expert	Reason for Revision
March 1, 2023	Sathyaraj Sellapandi	New SPL
February 14, 2024	Vadzim Fedarenka	Removed AAA23600AS3 & 4 (ref. no. 2) and ABA26800BCN2 (ref. no. 3) are eliminated as not available.

## Related Drawings

Drawing No.	Title	Drawing No.	Title
AAA23600AS	Hall Position Assembly, HPI Display	---	---

## Related Documents

Document ID	Title
---	---

## Subject Matter Expert

Name	Department
Vadzim Fedarenka	OSC Service Engineering

## About Spare Parts Leaflets...

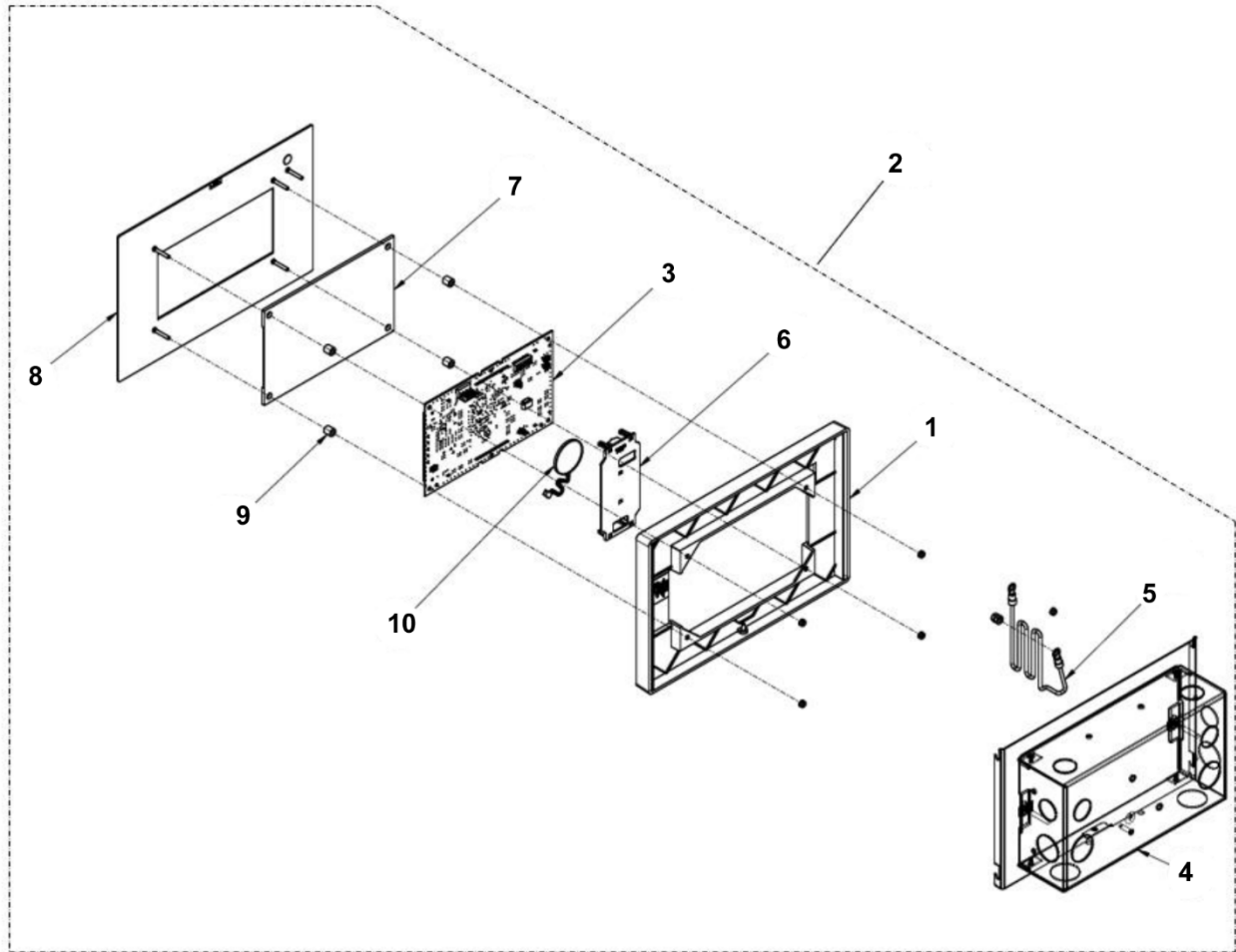
This document lists the lowest replaceable units (LRUs) for the standard version of the product. The LRUs are chosen by a team of Otis's associates representing engineering and manufacturing.

While goal of this document is to make parts identification as easy as possible, the document cannot be all-inclusive. Elevator and escalator contracts classified as "special" or "custom" are not addressed here. For such contracts, please refer to specified information, the contract folder, TIPs, Field Education Articles, Construction Letters, etc. for further information.

If you have any suggestions about this document, please contact the subject matter expert listed on this page.

# Hall Position Assembly

**34-AAA23600AS**



AAA23600AS		
REF. No.	PART No.	DESCRIPTION
1	AAA374AFS1	Assembly, Bezel
2	AAA23600AS1	Assembly, Hall Position, Blue LCD Display, w/ Gong
	AAA23600AS2	Assembly, Hall Position, Blue LCD Display, w/o Gong
3	ABA26800BCN1	Assembly, PC-Board, w/ Blue LCD Display
4	AAA309FS5	Box, Junction
5	AAA175ABY16	Conductor, Ground Wire
6	AAA180KR1	Holder
7	AAA449CB3	Lens, Display, Clear
8	AAA147ABN1-FS4	Plate, Face
9	AAA462AL3	Spacer
10	AAA655D2	Transducer, Communication