

**Combination Hall  
Lantern Position  
Indicator**

**Spare Parts Leaflet**

**34-AAA23600K**

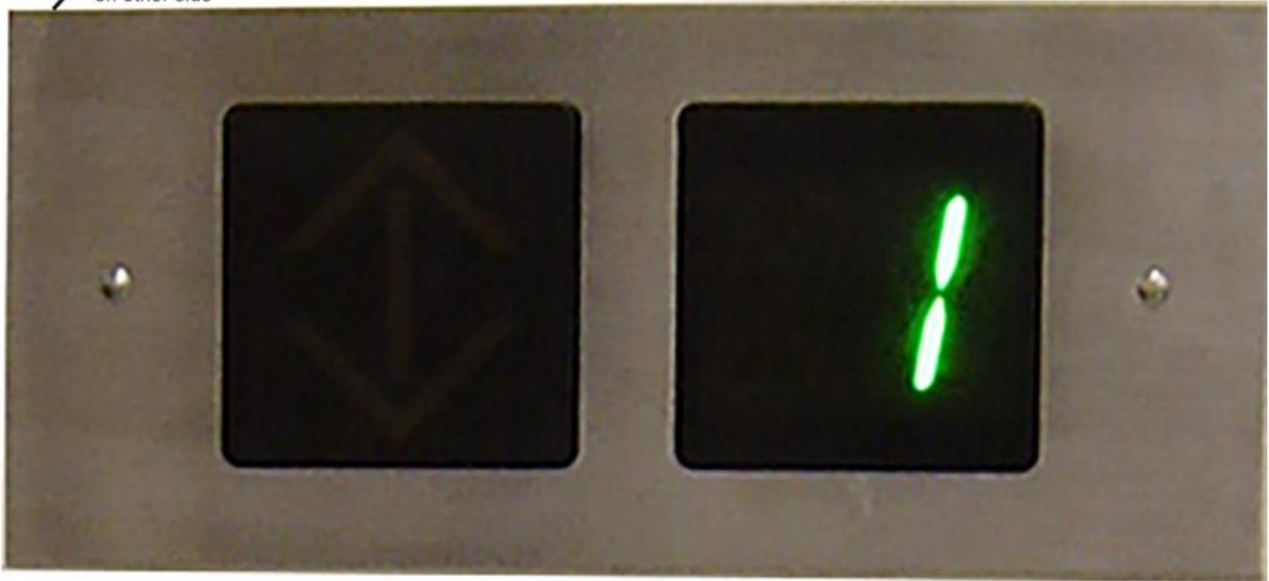
**June 14, 2023 / Page 1 of 8**

34 | A - AAA23600K

34 | A - AAB23600K

34 | A - ABB23600K

Vintage Tag  
on other side



**OTIS**

This document does not contain any  
technical data subject to EAR or ITAR

**SERVICE ENGINEERING**

**Otis Elevator Company**

**Bloomfield, Connecticut USA**

Unpublished Work—© Otis Elevator Co.; 2023

**Leaflet Description**

This leaflet provides information for Serial RSL/CAN & Discrete Combination Hall Lantern with Position Indicator.

**Leaflet Revisions**

<b>Date Revised</b>	<b>Subject Matter Expert</b>	<b>Reason for Revision</b>
August 7, 2019	Joseph Zych	New SPL
June 14, 2023	Vadzim Fedarenka	<ul style="list-style-type: none"> <li>• Updated image on p.1</li> <li>• Added TIPs 4.0-40, 4.4.3-2 and ABB23600K drawing, changed SME on history page</li> <li>• Added pp. 3, 6, 7, and 8 and replaced Ref. 4 on p. 4</li> <li>• Moved Ref. 3 (p. 4) and ref. 4 (p. 5) to p. 8</li> <li>• Updated parts and descriptions for Refs. 2, 3, 4, and 5 on pp. 4–5</li> <li>• Updated parts and descriptions for items 1, 3, 4, and 5 on p. 6</li> <li>• Added notes on p. 5</li> </ul>

**Related Drawings**

<b>Drawing No.</b>	<b>Title</b>
AAA23600K	Combination Hall Lantern Position Indicator
AAB23600K	
ABB23600K	

**Related Documents**

<b>Document ID</b>	<b>Title</b>
TIP 4.0-40	<i>New OSC RSL/CAN Fixture Boards</i>
TIP 4.4.3-2	<i>Position Indicator Installation Instructions</i>

**Subject Matter Expert**

<b>Name</b>	<b>Department</b>
Vadzim Fedarenka	OSC Service Engineering

**About Spare Parts Leaflets...**

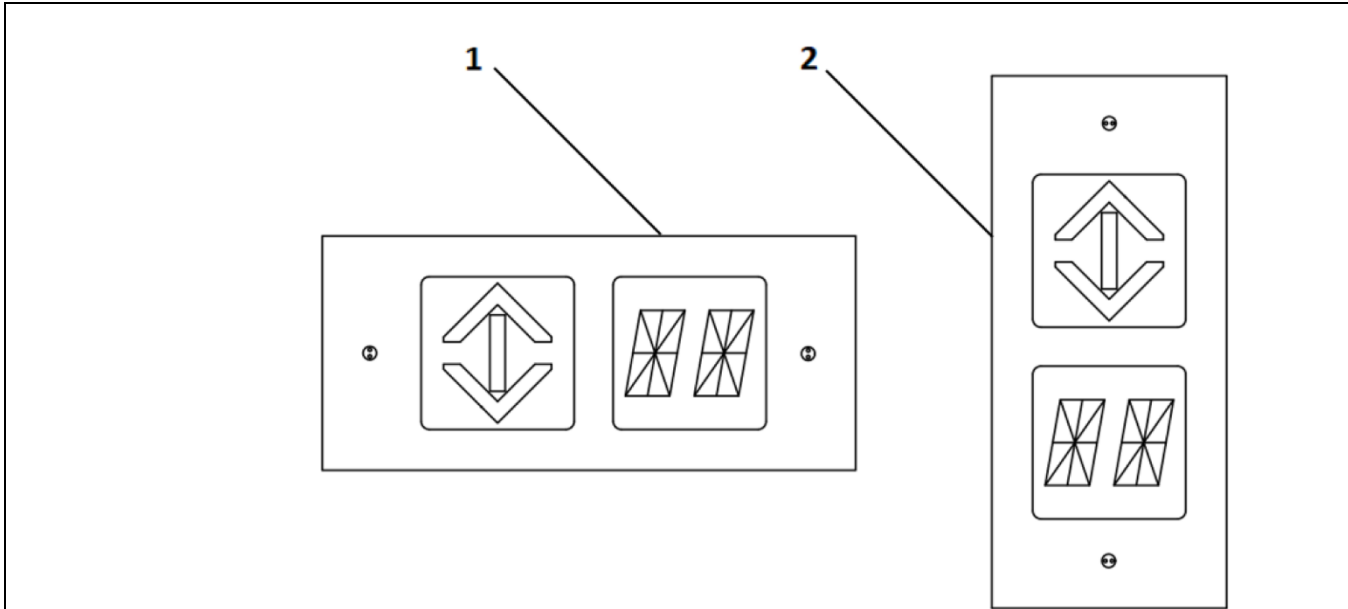
This document lists the lowest replaceable units (LRUs) for the standard version of the product. The LRUs are chosen by a team of Otis associates representing engineering and manufacturing.

While goal of this document is to make parts identification as easy as possible, the document cannot be all-inclusive. Elevator and escalator contracts classified as "special" or "custom" are not addressed here. For such contracts, please refer to specified information, the contract folder, TIPs, Field Education Articles, Construction Letters, etc. for further information.

If you have any suggestions about this document, please contact the subject matter expert listed on this page.

# Hall Lantern w/ PI Arrangements and Ordering Process

**34-AAA23600K**



### Ordering Instructions

To order ABB23600K Hall Lantern w/ Position Indicator specify “\*\*” parameters as shown below:

**ABB23600K\*-\*-\***

Arrangement #      PI Illumination Color  
Finish                      DI Illumination Color

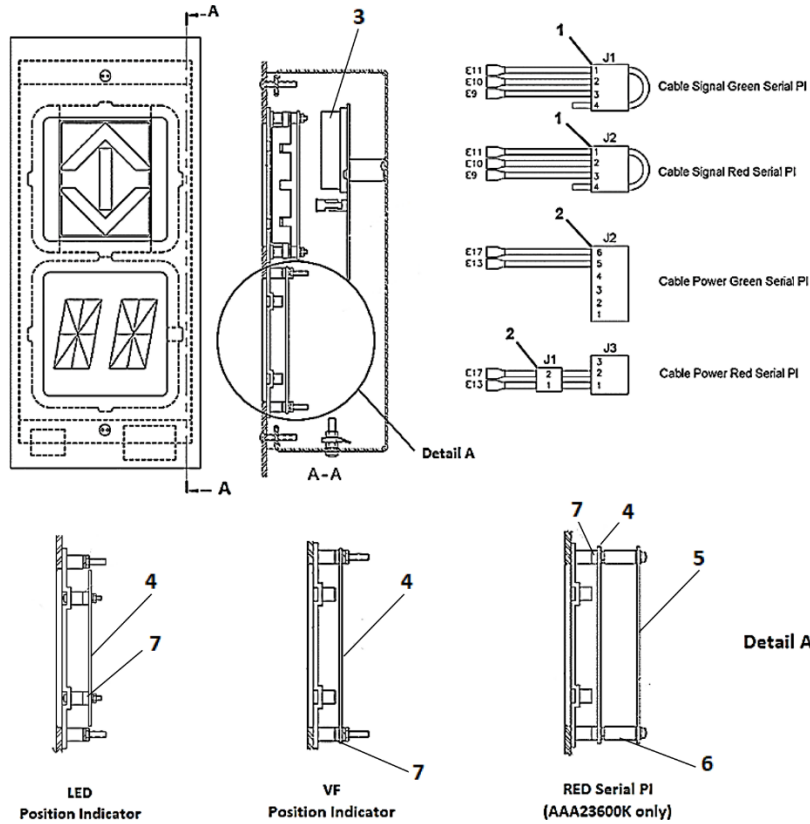
**Example:** ABB23600K3-BR7-R-W is Horizontal Discrete 120VAC Hall Lantern with PI, BR7 Brass Brushed Finish, RED Direction Indicator Illumination Color, WHITE Position Indicator Illumination Color

REF. No.	PART No.	DESCRIPTION
	<b>ABB23600K</b>	
1	ABB23600K1-*-*	Hall Lantern w/ PI, Discrete 30 VDC, Horizontal, Illumination Color: DI Red, Green, Blue, or White (all LED); PI Red (LED) or Green (VF)
	ABB23600K3-*-*	Hall Lantern w/ PI, Discrete 120 VAC, Horizontal, Illumination Color: DI Red, Green, Blue, or White (all LED), PI Red (LED) or Green (VF)
	ABB23600K5-*-*	Hall Lantern w/ PI, RSL/CAN, Horizontal, Illumination Color: DI Red, Green, Blue, or White (all LED), PI Red, Green, or Blue (all LED)
2	ABB23600K2-*-*	Hall Lantern w/ PI, Discrete 30 VDC, Vertical, Illumination Color: DI Red, Green, Blue, or White (all LED), PI Red (LED) or Green (VF)
	ABB23600K4-*-*	Hall Lantern w/ PI, Discrete 120 VAC, Vertical, Illumination Color: DI Red, Green, Blue, or White (all LED), PI Red (LED) or Green (VF)
	ABB23600K6-*-*	Hall Lantern w/ PI, RSL/CAN, Vertical, Illumination Color: DI Red, Green, Blue, or White (all LED), PI Red, Green, or Blue (all LED)

**NOTE:** Available finishes: **FS4** brushed stainless steel (covers SS4 & MIL4), **SS8** mirrored stainless steel, **BR7** brushed brass, **BR8** mirrored brass.

# 34-AAA23600K

# Hall Lantern with PI

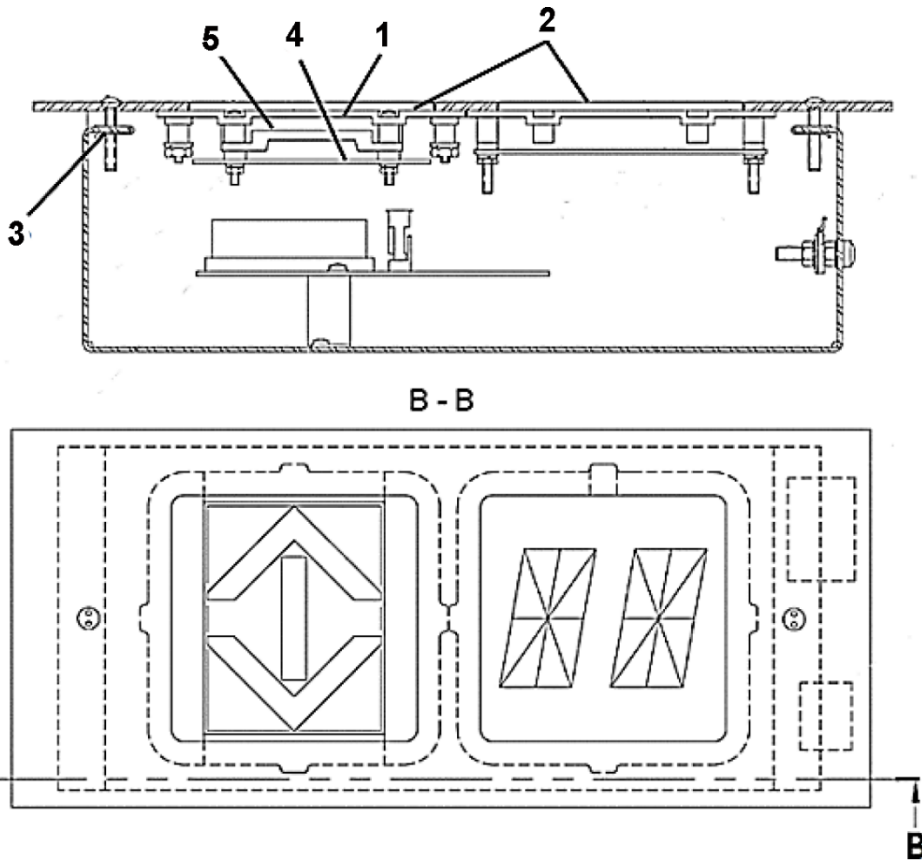


	AAA23600K	AAB23600K	
<b>REF. No.</b>	<b>PART No.</b>		<b>DESCRIPTION</b>
1	174GV2		Cable, Signal, PI J1, Serial 30 VDC, Green
	AAA00174AAL009		Cable, Signal, PI J2, Serial 30 VDC, Red
2	174GV11		Cable, Power, PI J2, Serial 30 VDC, Green
	AAA00174AAL008	174GV13	Cable, Power, PI J1, J3, Serial 30 VDC, Red
3	AAA08200AAA007	AAA08200AAA002	Gong, Serial
	A8200BE1		Gong, Discrete, 30 VDC
	AAA8200BW1 CE-SG0MV-B1		Gong, Discrete, 120 VAC
4	ACA26800HJ1 AAA27076BR4 Or AAA27076BR7		Indicator, Position, Serial, VF Green Kit, Retrofit, Position Indicator, Serial, LED Green, 2.0 in. Kit, Retrofit, Position Indicator, Serial, LED Green, 1.2 in.
	ABA26800GP2 AAA27076BR2*	---	Indicator, Position, Serial, Red Kit, Retrofit, Position Indicator, Red, 2.0 in.
	---	ACA26800AJX1	Indicator, Position, Red, 2.0 in.
	---	ACA26800AJX4	Indicator, Position, Green, 2.0 in.
	---	ACA26800AJX5	Indicator, Position, Blue, 2.0 in.
	AAA8200BV1		Indicator, Position, Discrete, Green
	AAA8200BV2		Indicator, Position, Discrete, Red
5	ABA26800GN1 AAA27076BR3*		Supply, Power, PI Display Kit, Retrofit, Position Indicator, Red, 2.0in.
	ABA26800AJX3*		Display, PI, with Term Block (Fuzzy Logic)
6	354CD74	---	Standoff M3 x 19 mm
7	462GV1		Spacer, 0.125 in. (6 mm)

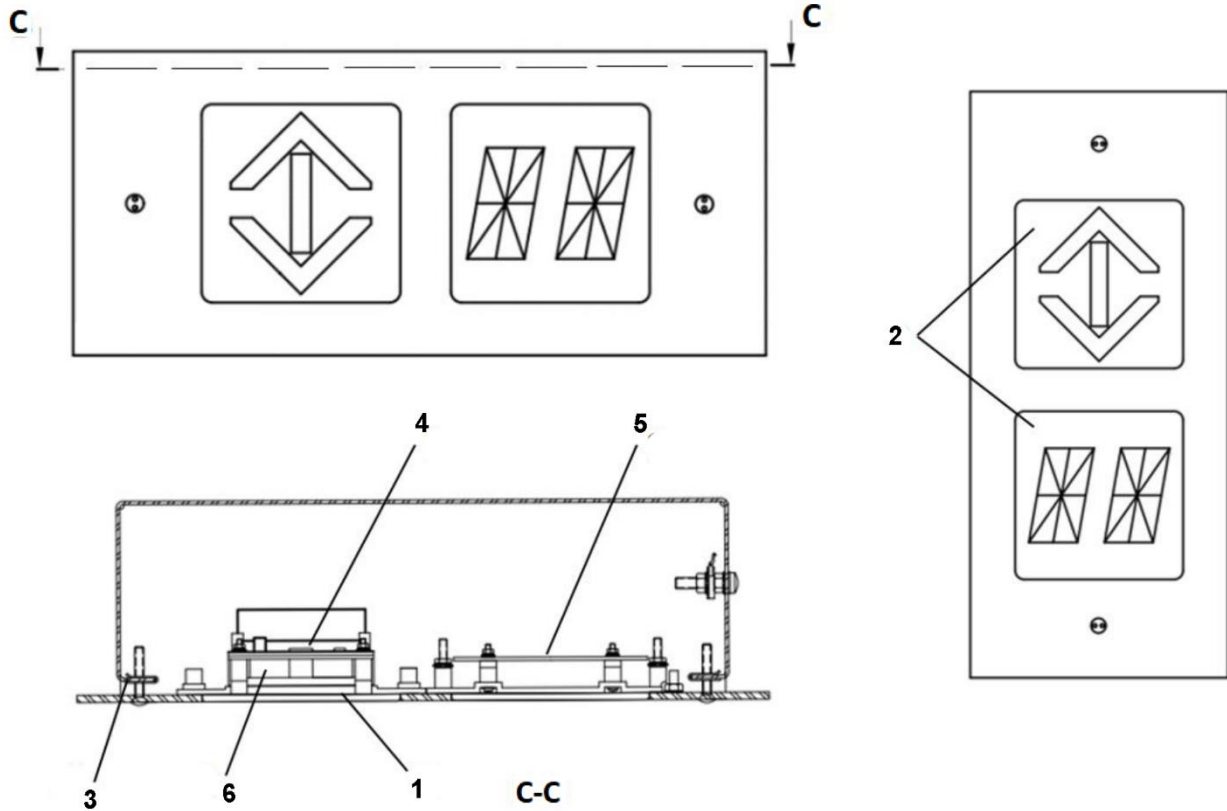
\* Refer to TIP 4.4.3-2, *Position Indicator Installation Instructions*.

# Hall Lantern with PI

**34-AAA23600K**



	AAA23600K	AAB23600K		
REF. No.	PART No.		DESCRIPTION	
1	449BH2		Diffuser	
2	443CC1		Lens, Green	
	443CC2		Lens, Red	
	---	443CC4	Lens, Gray	
3	72BX7		Nut, Speed	
4	ACA26800PL1		PCB, Lantern, 30 VDC, Red	
	ACA26800ASQ1		PCB, Lantern, 30 VDC, Green, Red, Blue (Select-A-Color)	
	ACA26800PL2		PCB, Lantern, 30 VDC, Green	
	ACA26800ASQ1		PCB, Lantern, 30 VDC, Green, Red, Blue (Select-A-Color)	
	---	ACA26800PL6	PCB, Lantern, 30 VDC, White	
	AAA26800SN2	ACA26800PL3	PCB, Lantern, 120 VAC, Red	
	ABA26800ASQ2	ABA26800ASQ2	PCB, Lantern, 120 VAC, Green, Red, Blue (Select-A-Color)	
5	---		ACA26800PL4	PCB, Lantern, 120 VAC, Green
	---		ABA26800ASQ2	PCB, Lantern, 120 VAC, Green, Red, Blue (Select-A-Color)
	---		ACA26800PL8	PCB, Lantern, 120 VAC, White
5	278HA1		Reflector, Serial	
	278HA2		Reflector, Discrete	



<b>ABB23600K</b>		
<b>REF. No.</b>	<b>PART No.</b>	<b>DESCRIPTION</b>
*	AAA124YL24	Cable, RSL/CAN
*	AAA124YL25	Cable, PI & Power
1	449BH2	Diffuser
2	443CC4	Lens
3	72BX7	Nut, Speed
4	ABA26800BAN1	PCB, Lantern w/ Gong, LED Select-A-Color (Red, Green, Blue, White)
5	ACA26800AJX1	Position Indicator, LED Red
	ACA26800AJX4	Position Indicator, LED Green
	ACA26800AJX5	Position Indicator, LED Blue
6	AAA278ER1	Shield

\* Part not shown

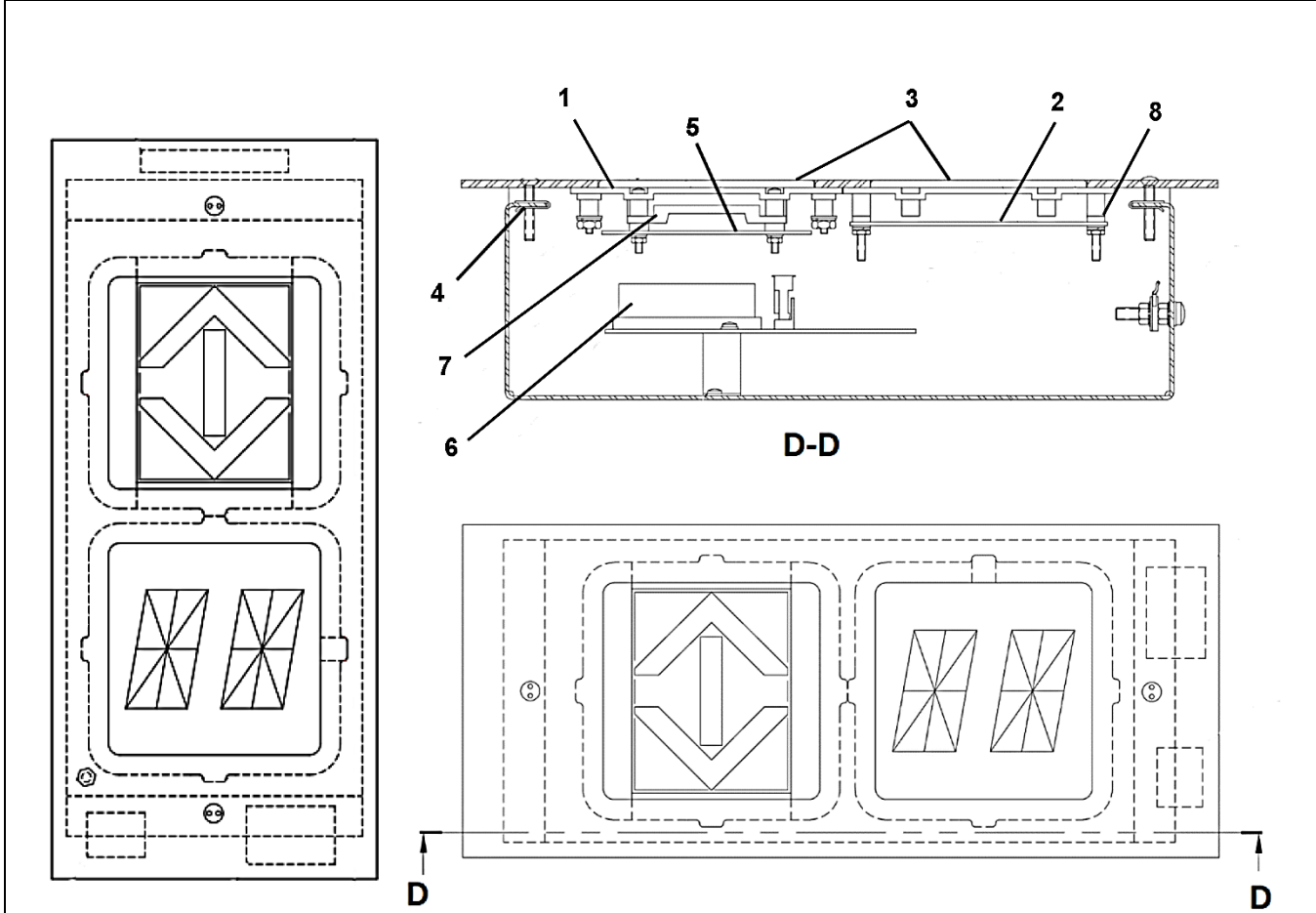
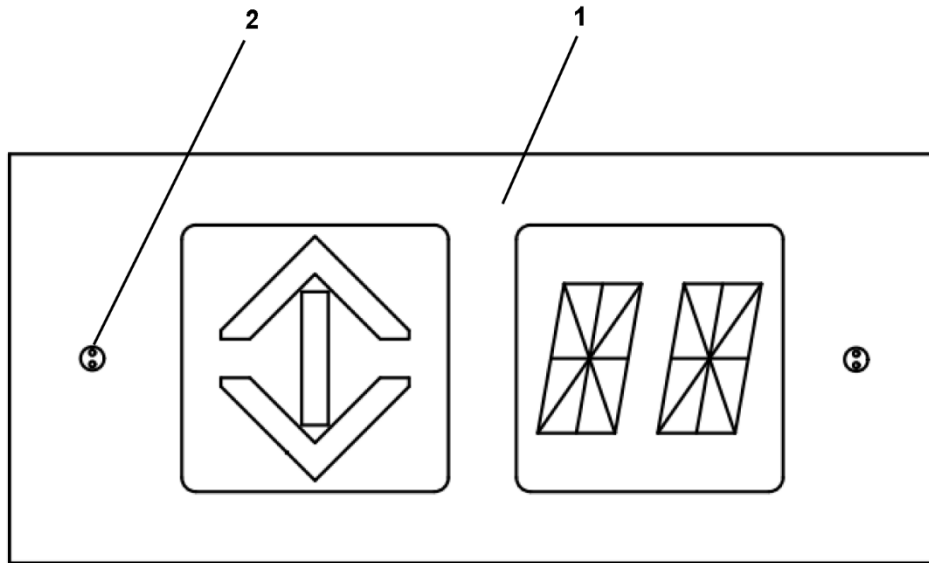


ABB23600K		
REF. No.	PART No.	DESCRIPTION
1	449BH2	Diffuser
2	A8200BE1	Gong, Discrete, 30 VDC
	AAA8200BW1	Gong, Discrete, 120 VAC
3	443CC4	Lens, Gray
4	72BX7	Nut, Speed
5	ACA26800ASQ1	PCB, Lantern, 30 VDC, LED Green, Red, Blue (Select-A-Color)
	ACA26800PL6	PCB, Lantern, 30 VDC, LED White
	ACA26800ASQ2	PCB, Lantern, 120 VAC, LED Green, Red, Blue (Select-A-Color)
	ACA26800PL8	PCB, Lantern, 120 VAC, LED White
6	AAA8200BV1	Position Indicator, VF Green
	AAA8200BV2	Position Indicator, LED Red
7	278HA2	Reflector
8	462GV1	Spacer, 0.125 in. (6 mm)



**AAA23600K  
AAB23600K  
ABB23600K**

<b>REF. No.</b>	<b>PART No.</b>	<b>DESCRIPTION</b>
1	AAA147QD6	Faceplate, FS4/SS4 Stainless Steel Brushed Finish
	AAA147QD9	Faceplate, SS8 Stainless Steel Mirrored Finish
	AAA147QD8	Faceplate, BR8 Brass Mirrored Finish
	AAA147QD7	Faceplate, BR7 Brass Brushed Finish
2	124DK7	Screw, Vandal Resistant, FS4/SS4 Stainless Steel Brushed Finish
	124DK20	Screw, Vandal Resistant, SS8 Stainless Steel Mirrored Finish
	124DK8	Screw, Vandal Resistant, BR7 Brass Brushed Finish
	124DK19	Screw, Vandal Resistant, BR8 Brass Mirrored Finish