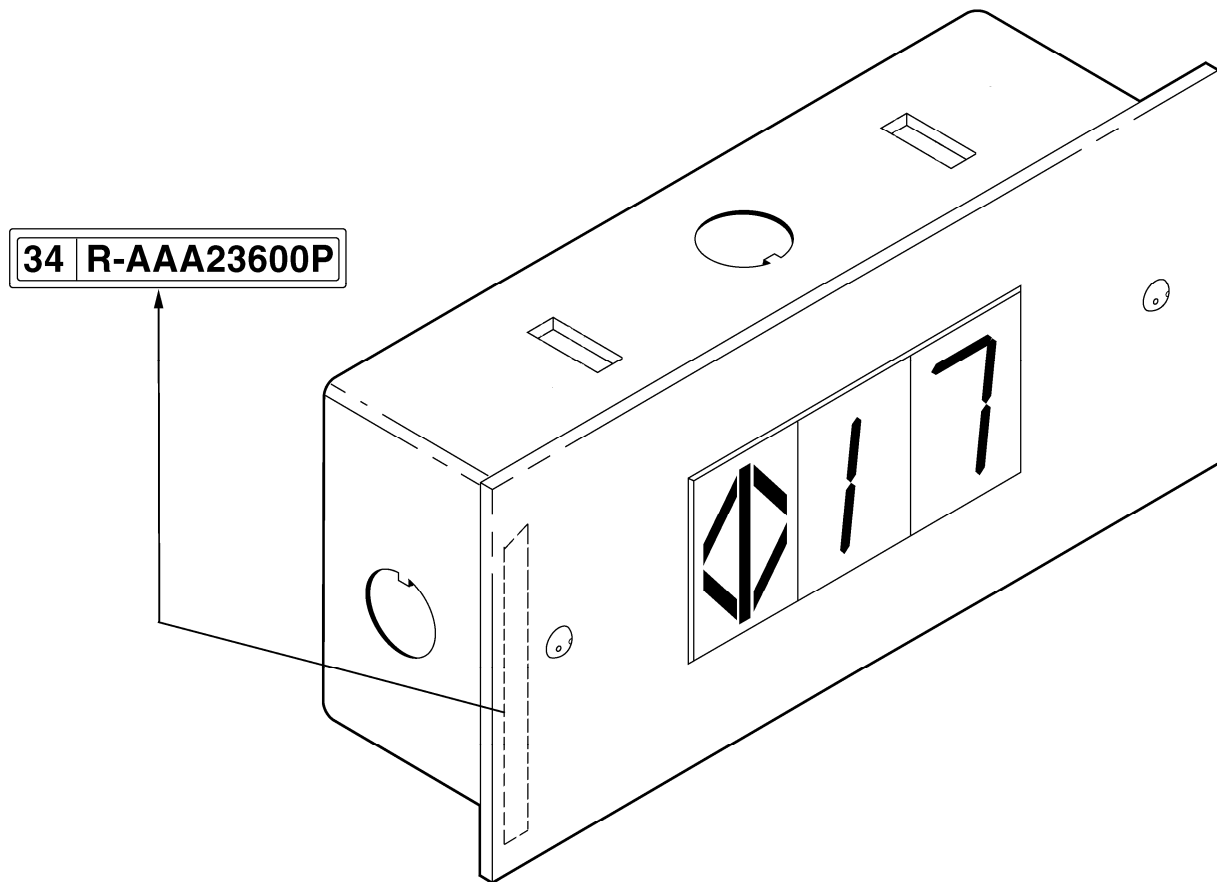


**Hall
Position Indicator
Assembly**

Spare Parts Leaflet

34-AAA23600P

April 1, 2000 / Page 1 of 5



OTIS

Safety First!

SERVICE ENGINEERING

**Otis Elevator Company
Bloomfield, Connecticut USA**

History
34-AAA23600P
First Published: April 1, 2000

Hall
Position Indicator
Assembly

REVISED DATE	RESPONSIBLE ENGINEER	PRIMARY REASON FOR REVISION
April 1, 2000	Stephen Karvazy	New Leaflet

Leaflet Description

This leaflet provides spare parts information for type AAA23600P Hall Position Indicator Assembly.

RELATED LEAFLET NUMBERS	TITLES
---	---

DRAWING REFERENCES
AAA23600P

RELATED DOCUMENT NUMBERS	TITLES
---	---

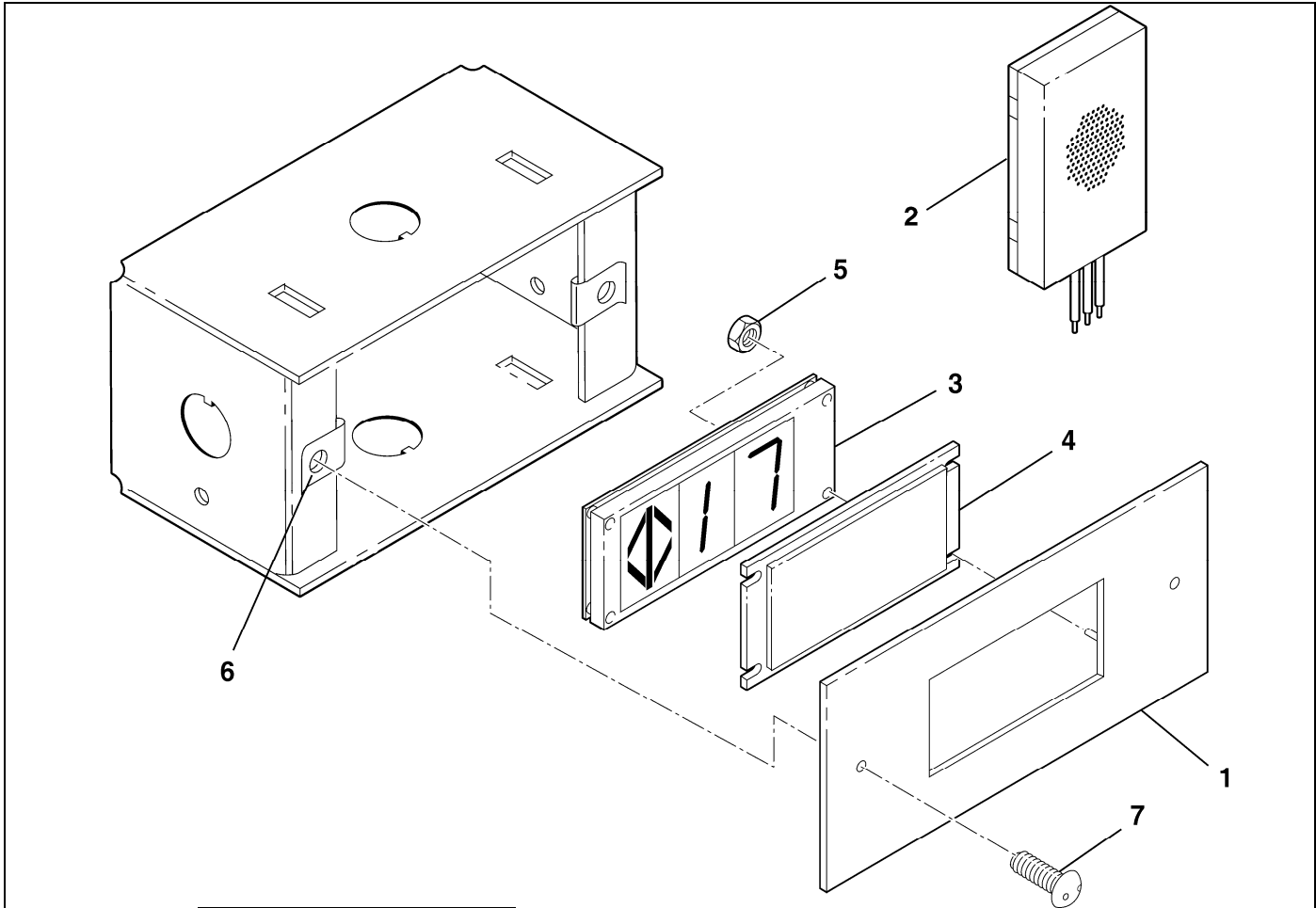
This Spare Parts Leaflet (SPL) is prepared to assist you in determining the Lowest Replaceable Units (LRU) supported by the Otis Service Center for the standard version of the product titled on the preceding page. The parts are chosen by Otis associates from: Engineering, Field Engineering, Service Engineering, and Manufacturing. We attempt to make part identification as easy as possible. The SPL, however, cannot be all inclusive. Elevator and escalator contracts classified as either "special" or "custom" are not addressed. Alternative sources of information such as: the Contract Folder, Technical Information Publications, Field Education Articles, Construction Letters, etc. may give the information you are after. You live in the real world of maintaining your elevator and escalator contracts. On a daily basis, situations arise regarding parts identification and at times, for some reason, the part you need is not in the SPL. If you think a standard part not listed should be—let us know. We will respond.

--

Stephen Karvazy—OSC Service Engineering

Hall Position Indicator Components

**34-
AAA23600P**



AAA23600P			
REF. NO.	PART or ML	DESCRIPTION	
1	AAA147RM1	Faceplate	SS4
	AAA147RM2		BR7
2	AAA8200BW1	Gong	115 VAC, Note 2
	AAA8200BW2		24 VDC, Note 2
	AAA8200BW3		Micro-Comm, Note 3
3	---	Indicator, Type AAA8200BV, p. 4 & 5 for Details	
4	AAA443EC1	Lens	
5	---	Nut, Kept, M3	
6	72BX7	Nut, Speed	
7	AAA124GT1	Screw, Tamper Resistant	SS4
	AAA124GT2		BR7

NOTE 1: Finish SS4 is brushed stainless steel, BR7 is brushed bronze.

NOTE 2: Refer to an engineering drawing AAA25000CV for Discrete Input Position Indicator Connection Information.

NOTE 3: Refer to an engineering drawing AAA25000CT for Micro-Comm Position Indicator Connection Information.

**Discrete Input Position Indicator
Module Assembly**

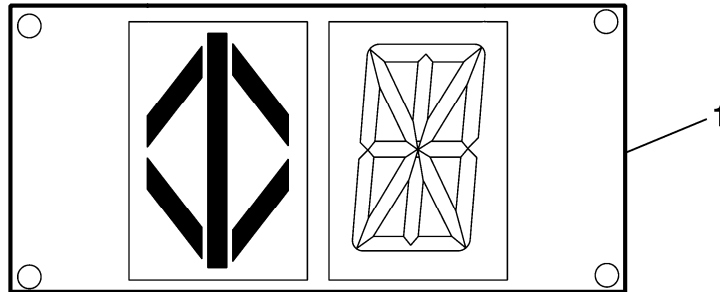


Figure I

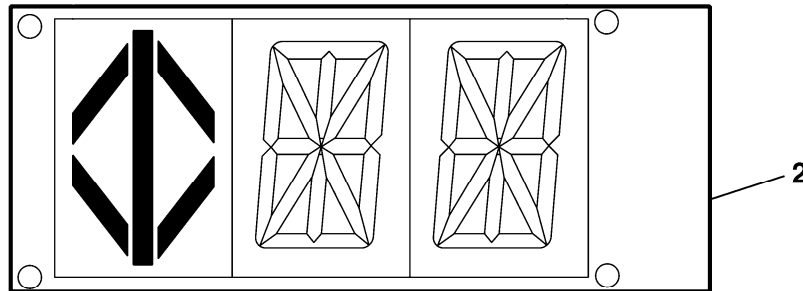


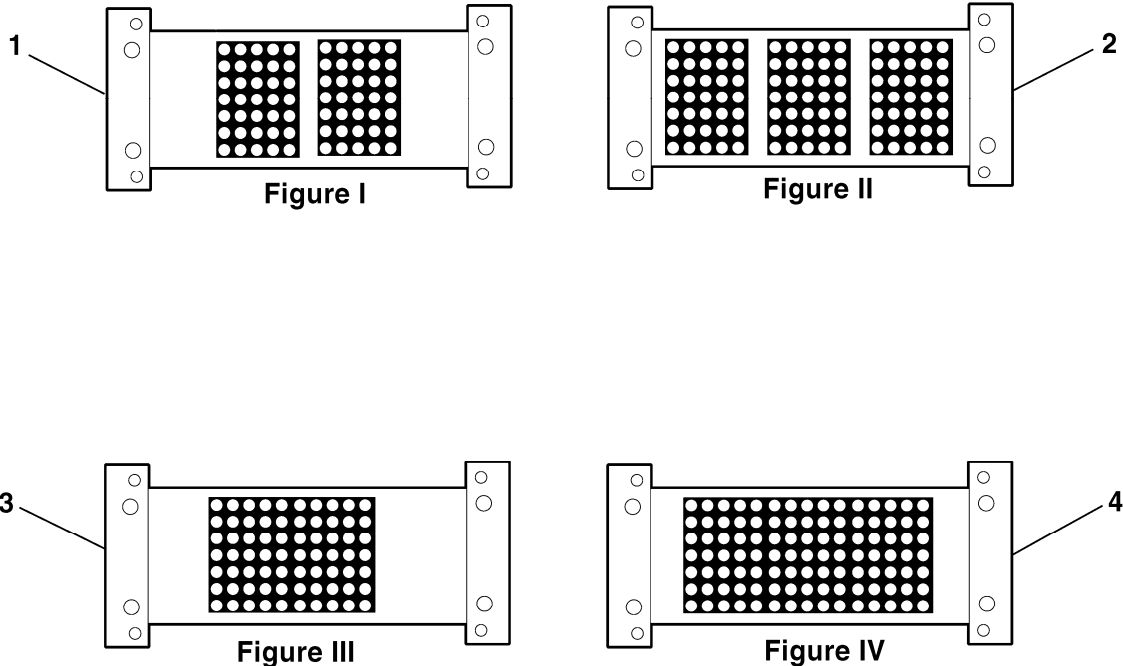
Figure II


REF. NO.	AAA23600P PART or ML	DESCRIPTION	FIGURE	CHARACTERS	VOLTAGE
1	AAA8200BV4	Indicator, Position, PCB 16-Segment	I	1 w/arrow	Micro-Comm Driver Required
2	AAA8200BV5		II	2 w/arrow	Micro-Comm Driver Required

(Continued on Next Page)

Discrete Input Position Indicator Module Assembly

**34-
AAA23600P**



AAA23600P					
REF. NO.	PART or ML	DESCRIPTION	FIGURE	CHARACTERS	VOLTAGE
1	AAA8200BV999	Indicator, Position, PCB Dot Matrix  Note	I	2	115 VAC
	AAA8200BV998				24-30 VDC
2	AAA8200BV997		II	3	115 VAC
	AAA8200BV996				24-30 VDC
3	AAA8200BV995	III	2	Micro-Comm Driver Required	
4	AAA8200BV994	IV	3	Micro-Comm Driver Required	

NOTE: Position Indicators AAA8200BV6-11 are furnished with an EEPROM that is programmed with the building-specific Floor Markings. When ordering a replacement indicator it is necessary to either:

1. Order an unprogrammed indicator AAA8200BV6-11 and transfer the programmed EEPROM from the existing indicator to the replacement unit.
2. Order a preprogrammed indicator AAA8200BV994-999 specifying the Floor Markings to be programmed by OSC:
 - AAA8200BV6 order AAA8200BV999 specify desired floor marking
 - AAA8200BV7 order AAA8200BV998 specify desired floor marking
 - AAA8200BV8 order AAA8200BV997 specify desired floor marking
 - AAA8200BV9 order AAA8200BV996 specify desired floor marking
 - AAA8200BV10 order AAA8200BV995 specify desired floor marking
 - AAA8200BV11 order AAA8200BV994 specify desired floor marking