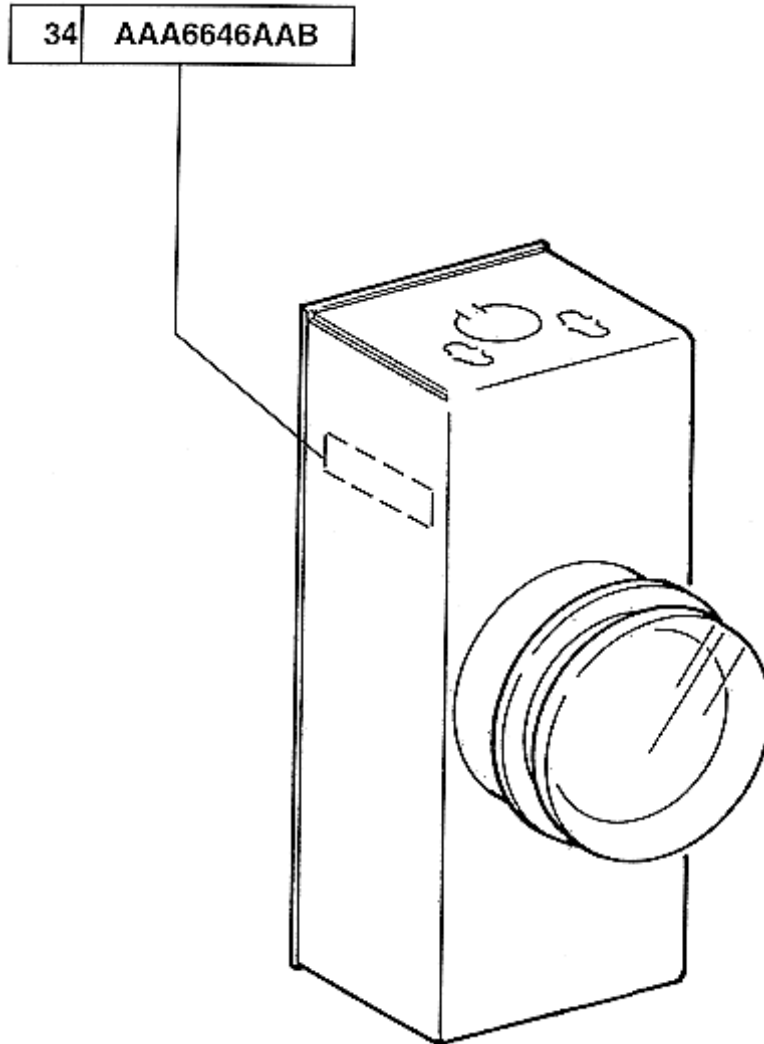


SPL 34-AAA6646AAB - Hall Lantern Terminal Landing With Remote Station For Modular Control

Unpublished Work - © Otis Elevator Company. Any unauthorized reproduction, disclosure, or distribution of copies or content by any person of any portion of this work may be a violation of Copyright Law of the United States of America. All rights reserved.

SUPERSEDES SPL 34-A..06646AAB DATED FEBRUARY 1990
June 1997

Page 1



SPL 34-AAA6646AAB - Hall Lantern Terminal Landing With Remote Station For Modular Control

Page 2

REVISED DATE	RESPONSIBLE ENGINEER	PRIMARY REASON FOR REVISION
02/90		New leaflet
06/97	John Kulikowski	Correct leaflet & p/n's; add new p/n's & history page

Leaflet Description

SPL 34-AAA6646AAB covers terminal landing hall lanterns. The lanterns have remote stations for modular control. A terminal landing is the topmost landing or the lowest landing of an elevator.

This revision corrects the vintage tag and SPL number. It also adds a new callous and parts.

RELATED LEAFLETS
SPL 34-AAA6646AAC
SPL 34-AAA6646AAD
SPL 34-AAA6646AAE

DRAWING REFERENCES
AAA6646AAB
(Rev. Date 95-9-15)

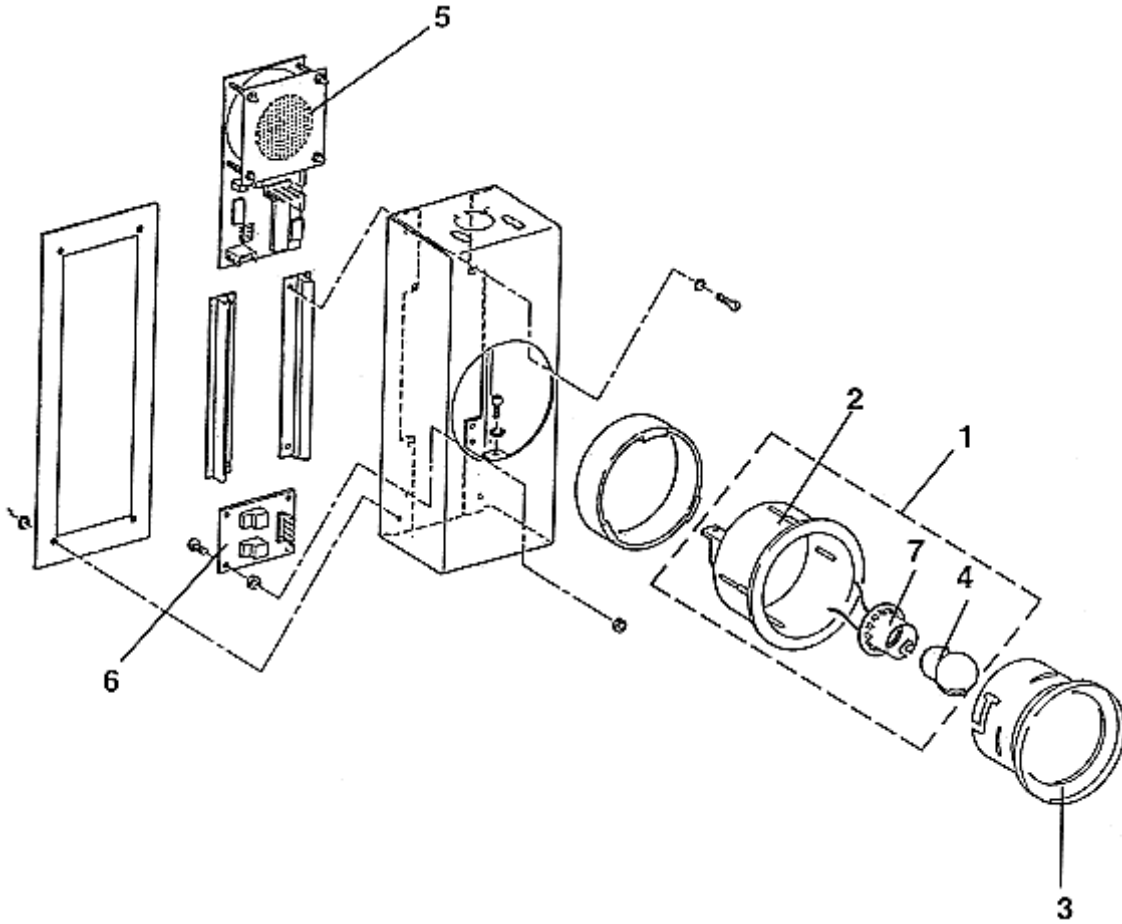
RELATED DOCUMENTS

This Spare Parts Leaflet (SPL) is prepared to assist you in determining the Lowest Replaceable Units (LRU) supported by the Otis Service Center for the standard version of the product titled on the preceding page. The parts are chosen by Otis associates from: Engineering, Field Engineering, Service Engineering, and Manufacturing. We attempt to make part identification as easy as possible. The SPL, however, cannot be all inclusive. Elevator and escalator contracts classified as either "special" or "custom" are not addressed. Alternative sources of information such as: the Contract Folder, Technical Information Publications, Field Education Articles, Construction Letters, etc. may give the information you are after. You live in the real world of maintaining your elevator and escalator contracts. On a daily basis, situations arise regarding parts identification and at times, for some reason, the part you need is not in the SPL. If you think a standard part not listed should be — let us know. We will respond.

John Kulikowski - Service Engineering

SPL 34-AAA6646AAB - Hall Lantern Terminal Landing With Remote Station For Modular Control

Page 3 - TERMINAL FLOOR HALL LANTERN



AAA6646AAB		
REF. No.	PART OR ML	DESCRIPTION
1	6646EJ1	Assembly, Lamp, Stainless Steel, Mirror Finish
	6646EJ2	Assembly, Lamp, Stainless Steel, Brushed Finish
	6646EJ3	Assembly, Lamp, Brass, Mirror Finish
	6646EJ4	Assembly, Lamp, Brass, Brushed Finish
2	448AF2	Frame, Mirror Stainless Steel
	448AF3	Frame, Satin Stainless Steel
	448AF4	Frame, Mirror Bronze
	440AF5	Frame, Satin Bronze
3	6646EK1	Assembly, Lens, Clear
	6646EK2	Assembly, Lens, Red
4	424D5	Lamp, Incandescent, 35V, 0.61A (S-8)
5	AAA08200AAA003	PC Board, Gong
6	C8121BB1	PC Board, Lantern Power Buffer
7	467AW1	Socket, Lamp