

Hall Lantern Intermediate Landing

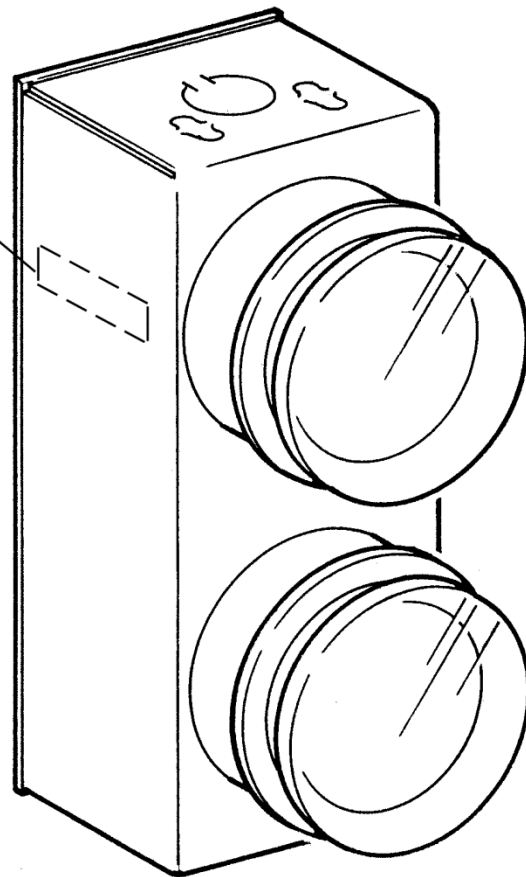
(w/ Remote Station
for Modular Control)

Spare Parts Leaflet

34-AAA6646AAC

March 23, 2016 / Page 1 of 3

34	AAA6646AAC
----	------------



OTIS

SERVICE ENGINEERING
Otis Elevator Company
Bloomfield, Connecticut USA

Unpublished Work—© Otis Elevator Co.; 2016

Leaflet Description

This leaflet provides spare parts information for intermediate landing hall lanterns. The lanterns have remote stations for modular control. An intermediate landing is between the topmost landing and the lowest landing.

Leaflet Revisions

Date Revised	Subject Matter Expert	Reason for Revision
February 1990	John Kulikowski	New SPL
June 1997	John Kulikowski	Corrected part numbers; Added new part numbers; Added history page
March 23, 2016	Joseph Zych	Added p/n 384WM1 on p. 3

Related Drawings

Drawing No.	Title	Drawing No.	Title
AAA6646AAC	Hall Lantern Intermediate Landing		

Related Documents

Document ID	Title
SPL 34-AAA6646AAB	<i>Hall Lantern Terminal Landing with Remote Station for Modular Control</i>
SPL 34-AAA6646AAD	<i>Hall Lantern with Faceplate</i>
SPL 34-AAA6646AAE	<i>Hall Lantern & Position Indicator, with Remote Station for Modular Control</i>

Subject Matter Expert

Name	Department
Joseph Zych	OSC Service Engineering

About Spare Parts Leaflets...

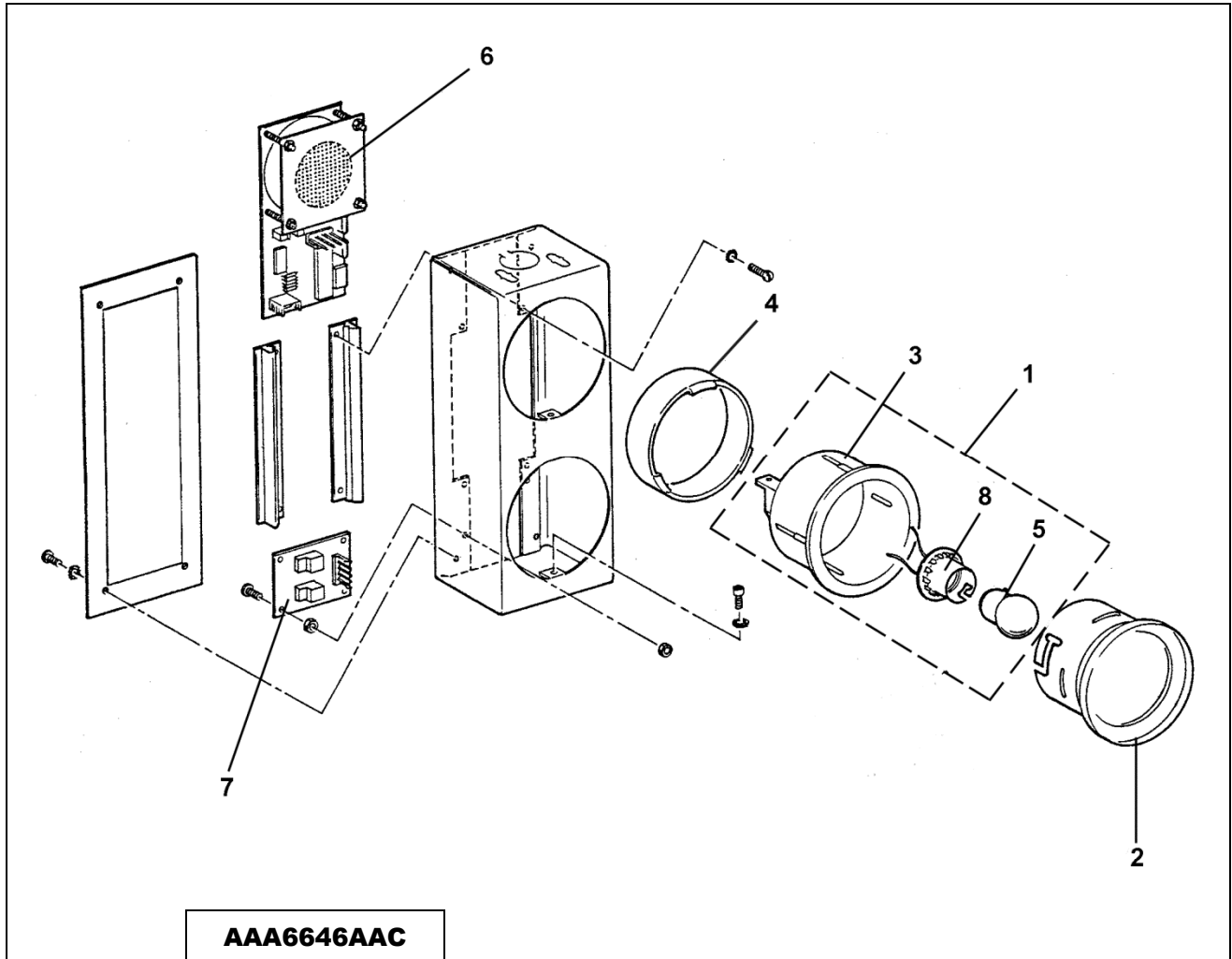
This document lists the lowest replaceable units (LRUs) for the standard version of the product. The LRUs are chosen by a team of Otis associates representing engineering and manufacturing.

While goal of this document is to make parts identification as easy as possible, the document cannot be all-inclusive. Elevator and escalator contracts classified as “special” or “custom” are not addressed here. For such contracts, please refer to specified information, the contract folder, TIPs, Field Education Articles, Construction Letters, etc. for further information.

If you have any suggestions about this document, please contact the subject matter expert listed on this page.

Intermediate Floor Hall Lantern

34-AAA6646AAC



AAA6646AAC		
REF. No.	PART No.	DESCRIPTION
1	6646EJ1	Assembly, Lamp, Stainless Steel, Mirror Finish
	6646EJ2	Assembly, Lamp, Stainless Steel, Brushed Finish
	6646EJ3	Assembly, Lamp, Brass, Mirror Finish
	6646EJ4	Assembly, Lamp, Brass, Brushed Finish
2	6646EK1	Assembly, Lens, Clear
	6646EK2	Assembly, Lens, Red
3	448AF2	Frame, Mirror Stainless Steel
	448AF3	Frame, Satin Stainless Steel
	448AF4	Frame, Mirror Bronze
	448AF5	Frame, Satin Bronze
4	384WM1	Guard
5	424D5	Lamp, Incandescent, 35V, 0.61A (S-8)
6	AAA08200AAA003	PC Board, Gong
7	C8121BB1	PC Board, Lantern Power Buffer
8	467AW1	Socket, Lamp