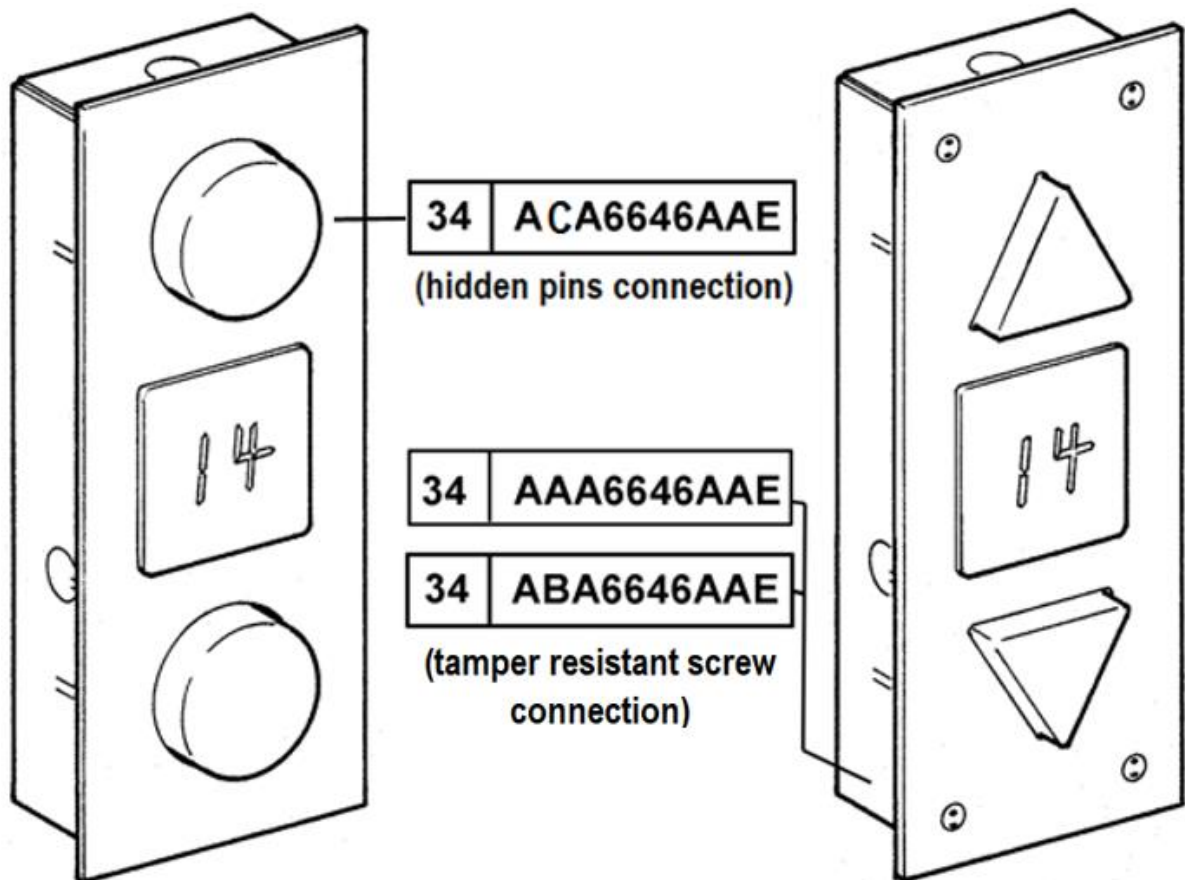


**Hall Lantern & Position
Indicator,
with Remote Station for
Modular Control**

**Spare Parts Leaflet
34-AAA6646AAE**

October 26, 2022 / Page 1 of 8

ABA(AAA)6646AAE Assemblies are replaced by ACA6646AAE and are not available any more. For lower level parts order see below.



For ACA6646AAE replacement parts listing and details,
see SPL 34-ACA6646AAE

OTIS

This document does not contain any
technical data subject to EAR or ITAR

**SERVICE ENGINEERING
Otis Elevator Company
Bloomfield, Connecticut USA**

Unpublished Work—© Otis Elevator Co.; 2022

Leaflet Description

SPL 34-AAA6646AAE covers hall lanterns with position indicators. The lanterns have remote stations for modular control. The hall lantern indicates an elevator's direction of travel. The position indicator indicates which floor or landing an elevator is at.

Leaflet Revisions

Date Revised	Subject Matter Expert	Reason for Revision
February 1990	Unknown	New SPL
June 1997	John Kulikowski	Correct leaflet and part numbers; add new part numbers and history page
September 12, 2012	Joseph D. Zych	Updated part numbers
February 5, 2014	Joseph D. Zych	Corrected ref. 3 on p. 6
March 26, 2014	Joseph D. Zych	Corrected spelling mistakes on pp. 6–8
July 1, 2015	Joseph D. Zych	Added ABA6646AAE21 through 28; Added 443BK3 and 443CC4
June 27, 2018	Oliver Cai	Updated Ref. 5 on p. 6
October 26, 2022	Vadzim Fedarenka	Updated cover image and history page; Added new parts for items 1–8 on p. 3; Added Note on p. 6

Related Drawings

Drawing No.	Title	Drawing No.	Title
AAA6646AAE	Assembly and Arrangement Hall Lantern and Position Indicator (LED)	ABA6646AAE	Assembly and Arrangement Hall Lantern and Position Indicator (LED)
ACA6646AAE	Assembly and Arrangement Hall Lantern and Position Indicator (LED)		

Related Documents

Document ID	Title
SPL 34-AAA6646AAB	Hall Lantern Terminal Landing With Remote Station For Modular Control
SPL 34-AAA6646AAC	Hall Lantern Intermediate Landing With Remote Station For Modular Control
SPL 34-AAA6646AAD	Hall Lantern with Faceplate
SPL 34-ACA6646AAE	Hall Lantern with Position Indicator, RSL/CAN

Subject Matter Expert

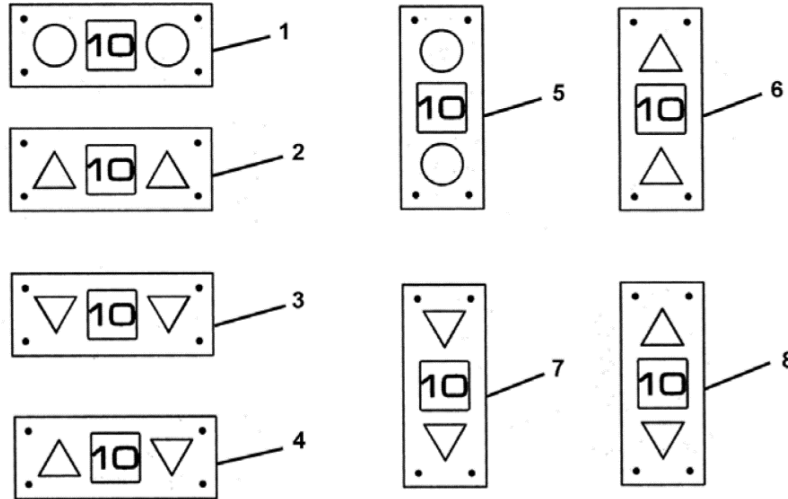
Name	Department
Vadzim Fedarenka	OSC Service Engineering

About Spare Parts Leaflets...

This document lists the lowest replaceable units (LRUs) for the standard version of the product. The LRUs are chosen by a team of Otis associates representing engineering and manufacturing. While goal of this document is to make parts identification as easy as possible, the document cannot be all-inclusive. Elevator and escalator contracts classified as "special" or "custom" are not addressed here. For such contracts, please refer to specified information, the contract folder, TIPs, Field Education Articles, Construction Letters, etc. for further information. If you have any suggestions about this document, please contact the subject matter expert listed on this page.

Hall Lanterns & Position Indicators

34-AAA6646AAE

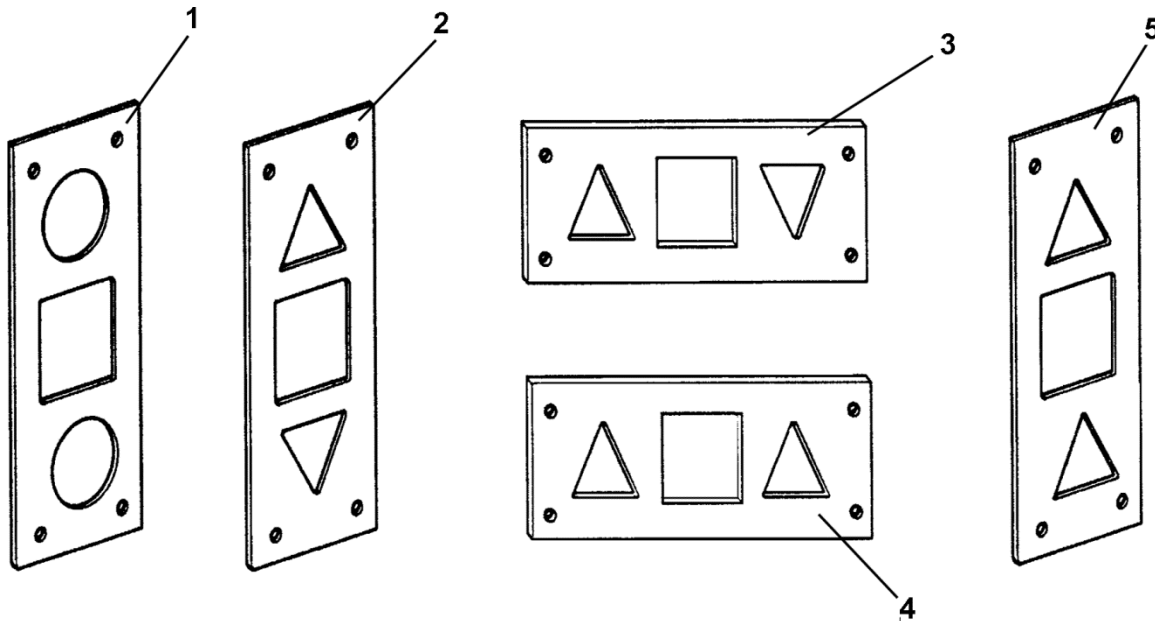


REF. No.	ABA6646AAE PART No.	FINISH SUFFIX	MOUNTING	LENS SHAPE	LENS ILLUMINATION COLOR
1	ABA6646AAE13	FS4 SS8 BR7 BR8	Horizontal	Round	Green
	ABA6646AAE2		Horizontal	Round	Red
	ABA6646AAE17		Horizontal	Round	Red & Green
	ABA6646AAE9		Horizontal	Round	Red & White
	ABA6646AAE4		Horizontal	Round	White
	*ABA6646AAE21-__		Horizontal	Round	Red, Green, Blue, or White
	ACA6646AAE1-_-		Horizontal	Round	Red, Green, Blue, or White
2	ABA6646AAE15		Horizontal	Triangular	Green
	ABA6646AAE5		Horizontal	Triangular	White
	*ABA6646AAE23-__		Horizontal	Triangular	Red, Green, Blue, or White
	ACA6646AAE4-_-		Horizontal	Triangular	Red, Green, Blue, or White
3	ABA6646AAE6		Horizontal	Triangular	Red
	*ABA6646AAE24-__		Horizontal	Triangular	Red, Green, Blue, or White
	ACA6646AAE7-_-		Horizontal	Triangular	Red, Green, Blue, or White
4	ABA6646AAE19		Horizontal	Triangular	Red & Green
	ABA6646AAE11		Horizontal	Triangular	Red & White
	*ABA6646AAE27-__		Horizontal	Triangular	Red, Green, Blue, or White
	ACA6646AAE3-_-		Horizontal	Triangular	Red, Green, Blue, or White
5	ABA6646AAE14		Vertical	Round	Green
	ABA6646AAE4		Vertical	Round	Red
	ABA6646AAE18		Vertical	Round	Red & Green
	ABA6646AAE10		Vertical	Round	Red & White
	ABA6646AAE3		Vertical	Round	White
	*ABA6646AAE22-__		Vertical	Round	Red, Green, Blue, or White
	ACA6646AAE2-_-		Vertical	Round	Red, Green, Blue, or White
6	ABA6646AAE16		Vertical	Triangular	Green
	ABA6646AAE7		Vertical	Triangular	White
	*ABA6646AAE25-__		Vertical	Triangular	Red, Green, Blue, or White
	ACA6646AAE6-_-	Vertical	Triangular	Red, Green, Blue, or White	
7	ABA6646AAE8	Vertical	Triangular	Red	
	*ABA6646AAE26-__	Vertical	Triangular	Red, Green, Blue, or White	
	ACA6646AAE5-_-	Vertical	Triangular	Red, Green, Blue, or White	
8	ABA6646AAE20	Vertical	Triangular	Red & Green	
	ABA6646AAE12	Vertical	Triangular	Red & White	
	*ABA6646AAE28-__	Vertical	Triangular	Red, Green, Blue, or White	
	ACA6646AAE8-_-	Vertical	Triangular	Red, Green, Blue, or White	

* The available four finished are: FS4 (brushed stainless), SS8 (mirror stainless), BR7 (brushed mirror), and BR8 (mirror brass). When ordering, include a finish suffix, for example ABA6646AAE21-SS4.

34-AAA6646AAE

Faceplates

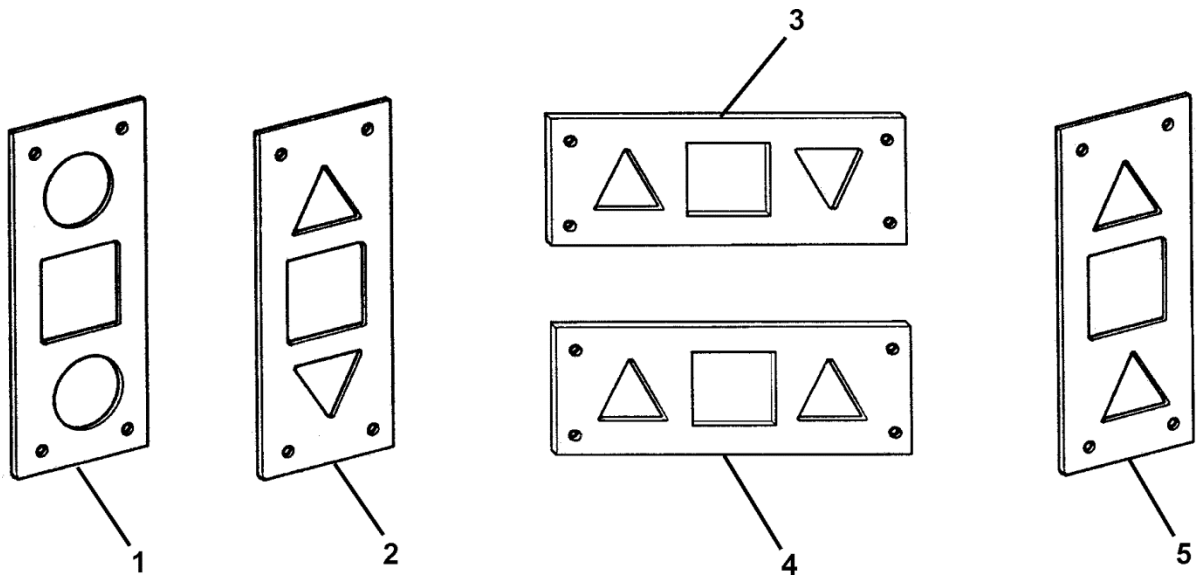


AAA6646AAE		DESCRIPTION		
REF. No.	PART No.	MATERIAL	FINISH	MOUNTING
1*	147MV1	Stainless Steel	Brushed	Horizontal
	147MV2	Brass		
	147MV11	Stainless Steel	Mirror	Vertical
	147MV12	Brass		
2*	147MV3	Stainless Steel	Brushed	Vertical
	147MV4	Brass		
	147MV13	Stainless Steel	Mirror	Vertical
	147MV14	Brass		
3*	147MV5	Stainless Steel	Brushed	Horizontal
	147MV6	Brass		
	147MV15	Stainless Steel	Mirror	Horizontal
	147MV16	Brass		
4*	147MV7	Stainless Steel	Brushed	Horizontal
	147MV8	Brass		
	147MV17	Stainless Steel	Mirror	Horizontal
	147MV18	Brass		
5*	147MV9	Stainless Steel	Brushed	Vertical
	147MV10	Brass		
	147MV19	Stainless Steel	Mirror	Vertical
	147MV20	Brass		

* See p. 5 for the newest available faceplate configurations.

34-AAA6646AAE

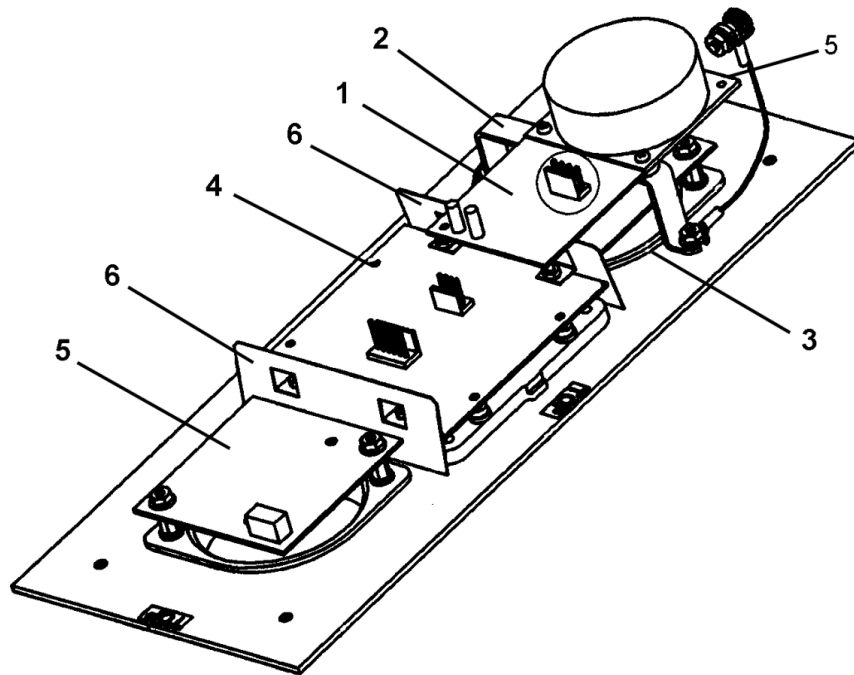
Faceplates



ABA6646AAE		DESCRIPTION		
REF. No.	PART No.	MATERIAL	FINISH	MOUNTING
1	AAA147RZ1	Stainless Steel	SS4	Vertical
	AAA147RZ2	Brass		
	AAA147RZ11	Stainless Steel	SS8	
	AAA147RZ12	Brass		
	AAA147RZ21	Stainless Steel	FS4	
	AAA147RZ26	Brass	Contract Specific	
2	AAA147RZ3	Stainless Steel	SS4	Vertical
	AAA147RZ4	Brass		
	AAA147RZ13	Stainless Steel	SS8	
	AAA147RZ14	Brass		
	AAA147RZ22	Stainless Steel	FS4	
	AAA147RZ27	Brass	Contract Specific	
3	AAA147RZ5	Stainless Steel	SS4	Horizontal
	AAA147RZ6	Brass		
	AAA147RZ15	Stainless Steel	SS8	
	AAA147RZ16	Brass		
	AAA147RZ23	Stainless Steel	FS4	
	AAA147RZ28	Brass	Contract Specific	
4	AAA147RZ7	Stainless Steel	SS4	Horizontal
	AAA147RZ8	Brass		
	AAA147RZ17	Stainless Steel	SS8	
	AAA147RZ18	Brass		
	AAA147RZ24	Stainless Steel	FS4	
	AAA147RZ29	Brass	Contract Specific	
5	AAA147RZ9	Stainless Steel	SS4	Vertical
	AAA147RZ10	Brass		
	AAA147RZ19	Stainless Steel	SS8	
	AAA147RZ20	Brass		
	AAA147RZ25	Stainless Steel	FS4	
	AAA147RZ30	Brass	Contract Specific	

Hall Lantern & Position Indicator Spare Parts

34-AAA6646AAE

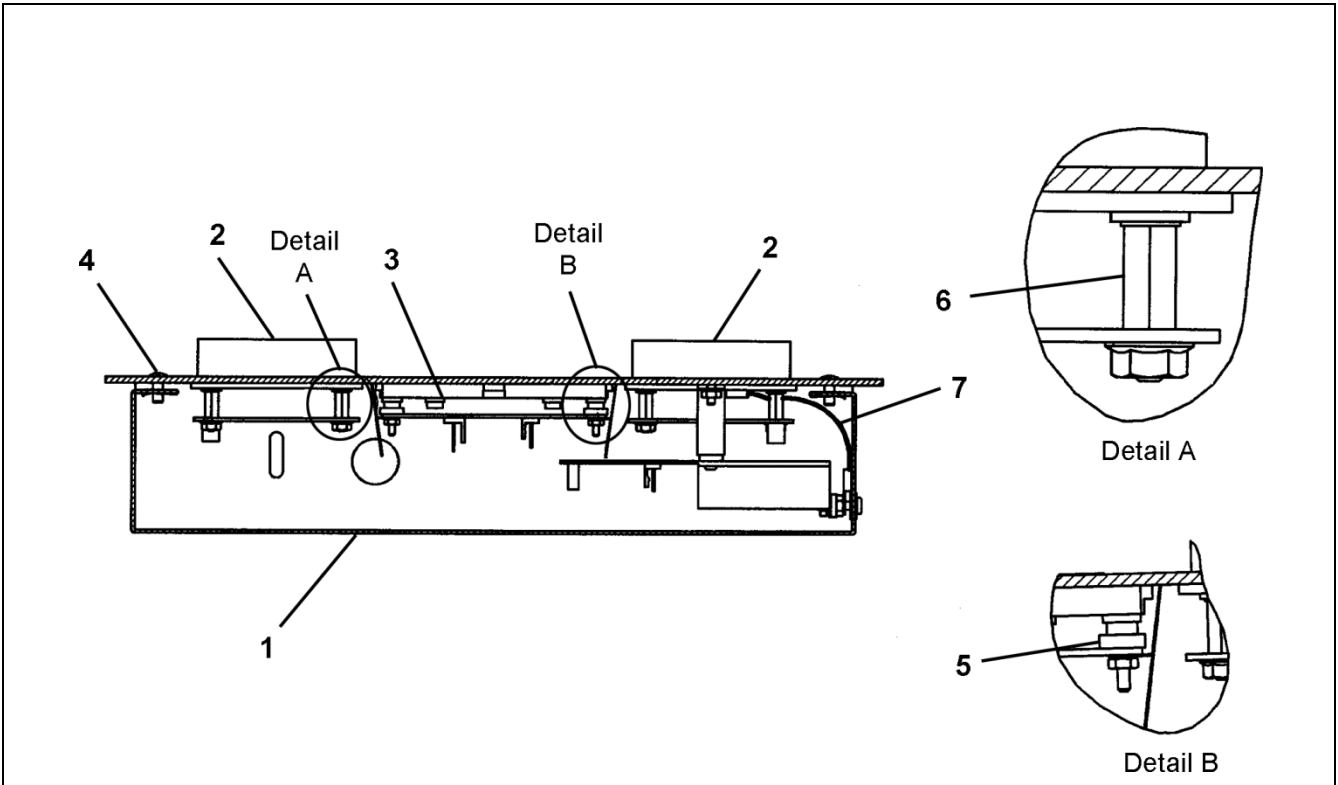


Arrangements 1, 2, 9, 13, and 17 Shown

AAA6646AAE ABA6646AAE		
REF. No.	PART No.	DESCRIPTION
1	GCA23550B1	Assembly, Gong Board, See NOTE
2	AAA316GWZ1	Bracket, Mounting
3	443BK3	Diffuser, for Triangular Lens
	443BK5	Diffuser, for Round Lens
4	ACA26800HJ1	Indicator, Position, See NOTE
5	AAA26800AJW2 ABA26800ASR4 ACA26800ASR1	Lantern, Hall, Select-a-Color, Multicolor, See NOTE
	AAA26800AJW4 ABA26800ASR4 ACA26800ASR1	Lantern, Hall, Select-a-Color, Multicolor, See NOTE
	AAA26800AJW3 ABA26800ASR2 ACA26800ASR2	Lantern, Hall, Select-a-Color, White, See NOTE
6	AAA6646FC1	Shade, Light

NOTE: The parts are available until stock depletes. After that, order AAA26800BBR (horizontal) or AAA26800BBT (vertical) PC-Board to replace Ref. items 1, 4 or 5 and AAA174YL24 Cable.

Hall Lantern & Position Indicator Spare Parts



AAA6646AAE
ABA6646AAE

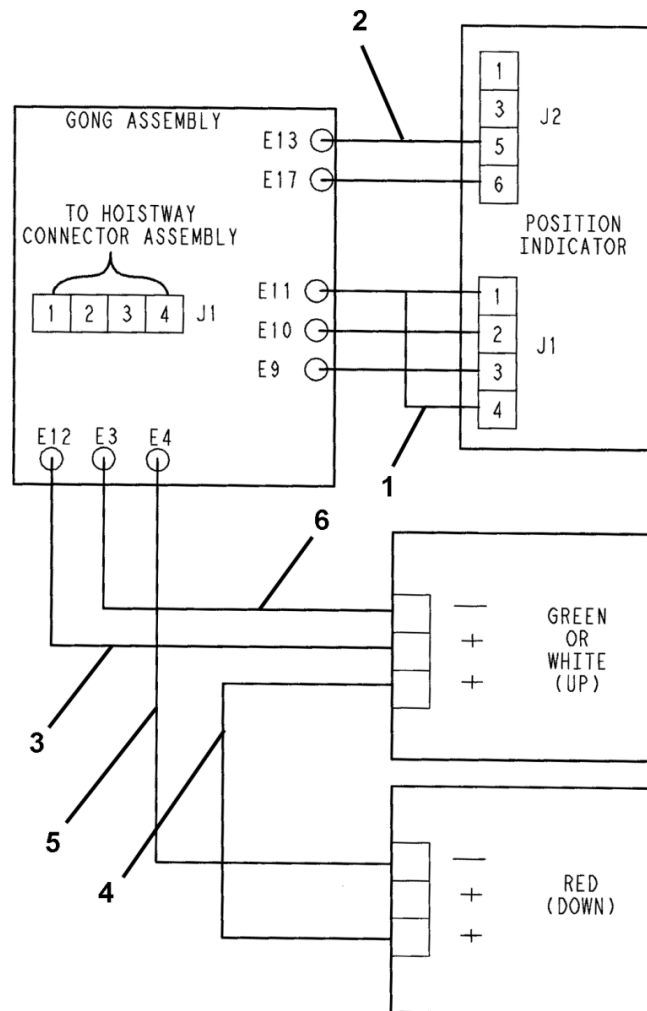
REF. No.	PART No.	DESCRIPTION	
1	AAA313DB2	Box	
*	AAA447AC3	Connector, IDC	
*	AAA447AC11	Cover, Strain Relief, IDC	
2	449BA1	Glass, Round	
	A449AS1	Glass, Triangular	
3	443CC1	Lens, Position Indicator, Green	
	443CC4	Lens, Position Indicator, Grey	
4	124DK7	Screw, Spanner	SS4
	124DK8		BR7
	124DK19		SS8
	124DK20		BR8
5	462GV1	Spacer	
6	354AG128	Standoff	
7	AAA175ACC6	Wire, 14 AWG, Green/Yellow (Ground)	

* Part not shown.

Hall Lantern & Position

34-AAA6646AAE

Indicator Cables & Wires



AAA6646AAE
ABA6646AAE

REF. No.	PART No.	DESCRIPTION
1	174GV2	Assembly, Cable
2	174GV11	Assembly, Cable
3	AAA175ACC1	Wire, 22 AWG, Brown
4	AAA175ACC2	Wire, 22 AWG, Brown
5	AAA175ACC3	Wire, 22 AWG, Brown w/Red Stripe
6	AAA175ACC4	Wire, 22 AWG, Brown w/Yellow Stripe
*	AAA175ACC5	Wire, 22 AWG, Brown w/White Stripe

* Part not shown.