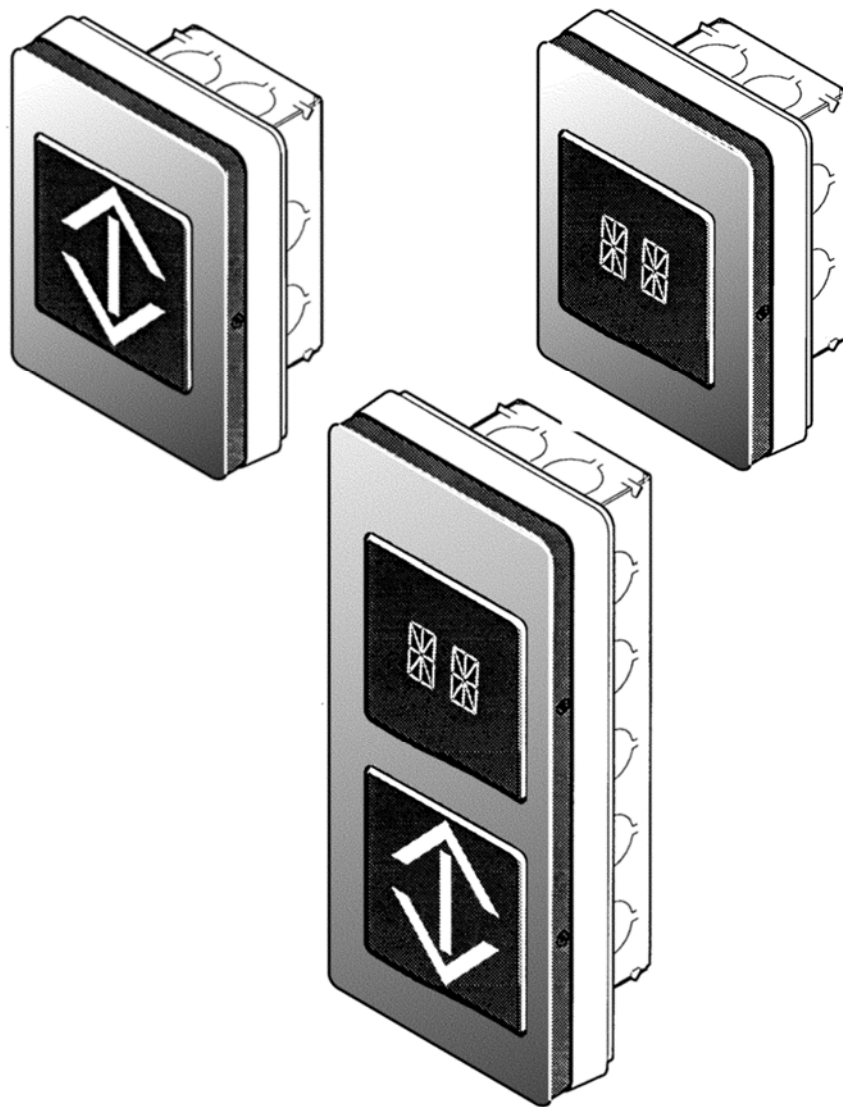


Hall Lanterns & Hall
Station Indicators
w/Modular Control

Spare Parts Leaflet

34-AAA6646EZ

March 12, 2019 / Page 1 of 6



OTIS

This document does not contain any
technical data subject to EAR or ITAR

SERVICE ENGINEERING
Otis Elevator Company
Bloomfield, Connecticut USA

Unpublished Work—© Otis Elevator Co.; 2019

Leaflet Description

The type AAA6646EZ fixture is an advanced type with addition of modular control utilizing serial link communication. With the exception of the remote-station and modular gong PC boards, all parts are identical to the advanced type fixture 6646CY.

Leaflet Revisions

Date Revised	Subject Matter Expert	Reason for Revision
August 1997	- - -	New leaflet
April 1999	Val Minnes	Correct information on p. 3
January 1, 2000	Val Minnes	Update parts on p. 3
January 15, 2006	Joseph D. Zych	Updated the SPL template; updated parts in ref. 6, p. 3; added two new hall position indicator assemblies on p. 6, ref. 2; added spanner screw information on pp. 3, 4, and 5
October 26, 2011	Jeffrey Holmes	Added ACA26800PL6, ABA26800ASQ1, ACA26800AJX1, ACA26800AJX4, ACA26800AJX5
June 27, 2018	Oliver Cai	Added ACA26800ASQ1 in ref. 6 on p. 3; Updated document template
March 12, 2019	Ramone Reynolds	Corrected description for p/n AAA6646EZ6 on p. 6

Related Drawings

Drawing No.	Title	Drawing No.	Title
AAA6646EZ	Assembly and Arrangement Hall Lantern and Hall Position Indicator		

Related Documents

Document ID	Title
32-AAA147NX	Fixture—Part; Advanced, Raised Faceplate

Subject Matter Expert

Name	Department
Oliver Cai	OSC Service Engineering

About Spare Parts Leaflets...

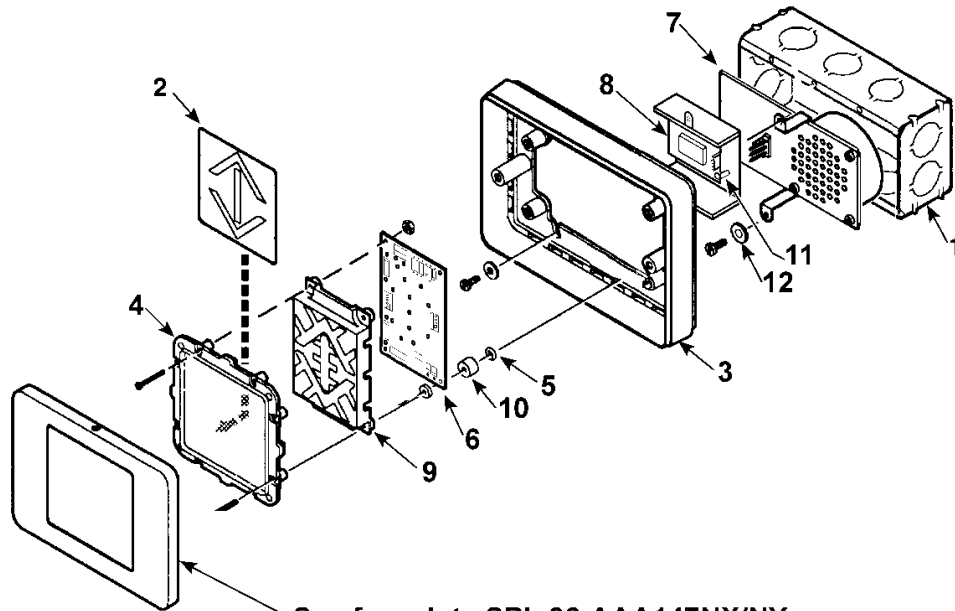
This document lists the lowest replaceable units (LRUs) for the standard version of the product. The LRUs are chosen by a team of Otis associates representing engineering and manufacturing.

While goal of this document is to make parts identification as easy as possible, the document cannot be all-inclusive. Elevator and escalator contracts classified as "special" or "custom" are not addressed here. For such contracts, please refer to specified information, the contract folder, TIPs, Field Education Articles, Construction Letters, etc. for further information.

If you have any suggestions about this document, please contact the subject matter expert listed on this page.

Hall Lantern

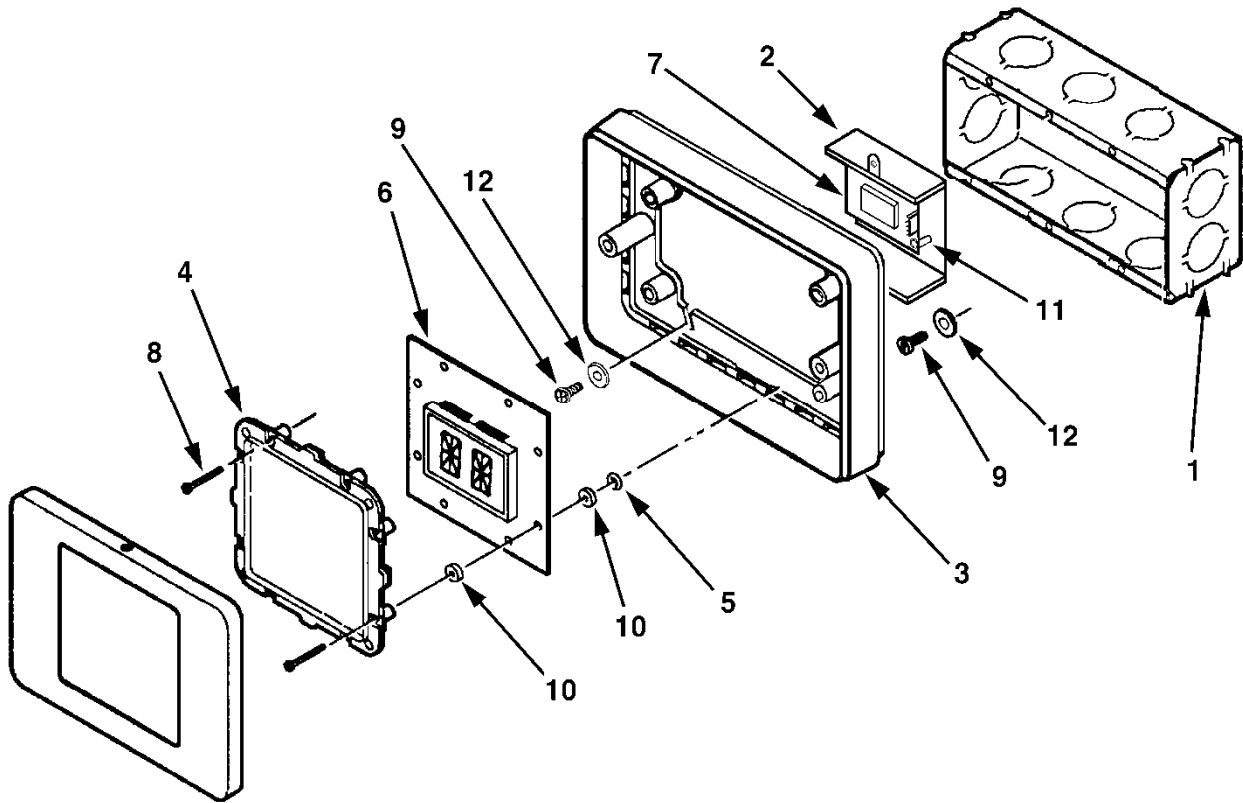
34-AAA6646EZ



REF. No.	PART No.	DESCRIPTION	
	AAA6646EZ		
1	309BN11	Box, Electrical, 3-Gang	
2	449BH2	Diffuser-Mask	
3	A396JJ1	Housing	
4	443CC1	Lens, Green	
	443CC2	Lens, Red	
	443CC4	Lens, Grey	
5	182H5	O-Ring	
6	ABA26800PL1 ACA26800PL1	PC Board, Lantern, for Red Filter 443CC2	
	ABA26800PL2 ACA26800PL2	PC Board, Lantern, for Green Filter 443CC1	
	ACA26800PL6	PC Board, Lantern, White. See NOTE .	
	ABA26800ASQ1 ACA26800ASQ1	PC Board, Lantern, Select-A-Color (Red, Green, Blue). See NOTE .	
7	GCA23550B1	PC Board, Modular Gong	
8	GCA23550D1	PC Board, Remote-Station 5 (RS5)	
9	278HA1	Reflector	
*	124DK11	Screw, Spanner	SS4 = Brushed Stainless Steel
	124DK12		BR7 = Brushed Brass
	124DK23		SS8 = Mirror Stainless Steel
	124DK24		BR8 = Mirror Brass
10	462GV2	Spacer (used with horizontally mounted lantern only)	
11	354CD57	Stand-Off	
12	131CN1	Washer	

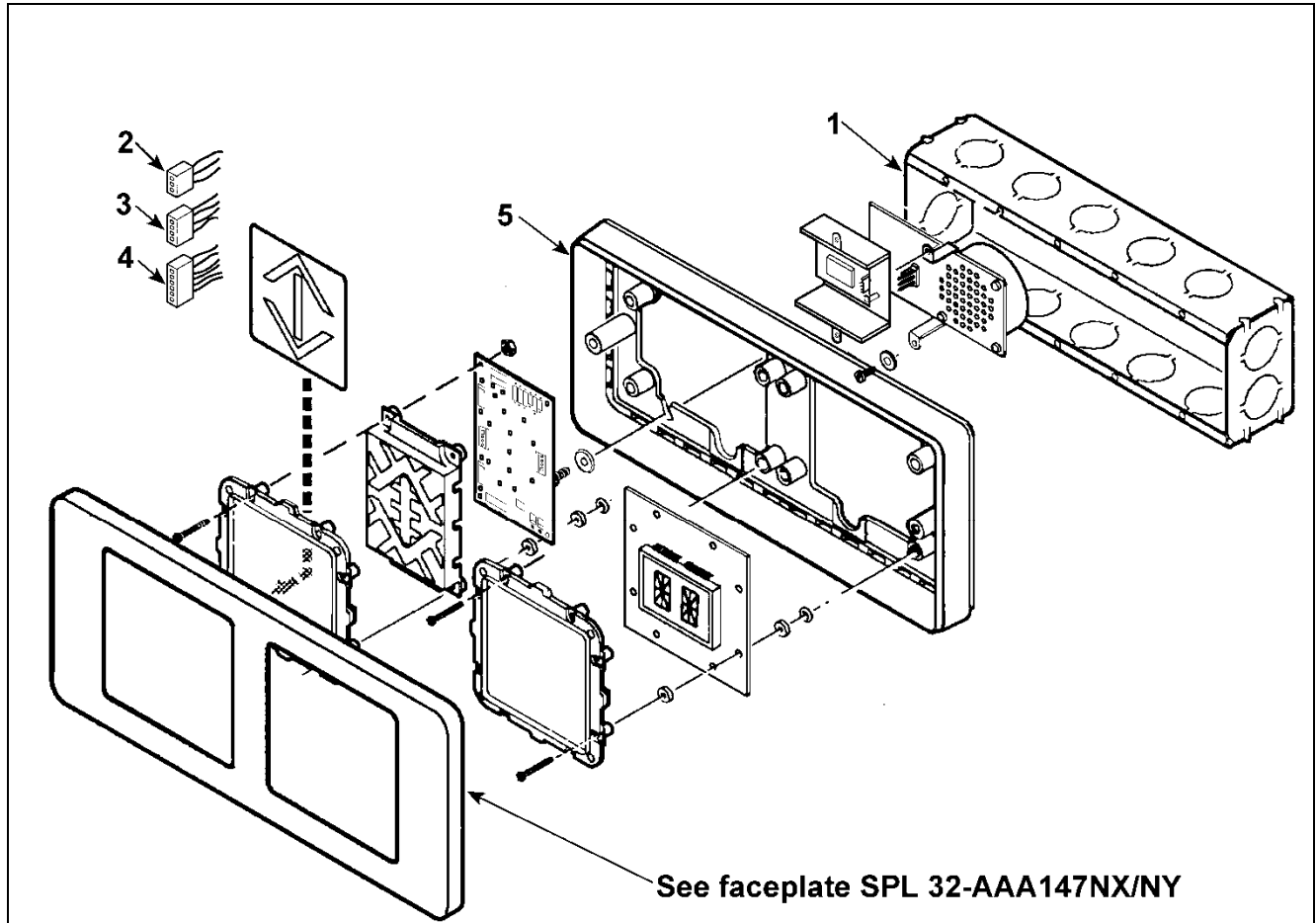
* Not shown. Order two if specified.

NOTE: Order grey lens (443CC4) if upgrading to this option.



AAA6646EZ			
REF. No.	PART No.	DESCRIPTION	
1	309BN11	Box, Electrical, 3-Gang	
2	316EAV1	Bracket	
3	A396JJ1	Housing	
4	443CC1	Lens, Green	
5	182H5	O-Ring	
6	ACA26800HJ1	PC Board, Position Indicator, VF	
	ACA26800AJX1	PC Board, Position Indicator, LED Red	
	ACA26800AJX4	PC Board, Position Indicator, LED Green	
	ACA26800AJX5	PC Board, Position Indicator, LED Blue	
7	GCA23550D1	PC Board, Remote-Station 5 (RS5)	
8	Obtain Locally	Screw, Machine, Pan Head, 6-32 x 1-1/2 in.	
9	Obtain Locally	Screw, Fillet Head, M3 x 25 mm	
*	124DK11	Screw, Spanner	SS4 = Brushed Stainless Steel
	124DK12		BR7 = Brushed Brass
	124DK23		SS8 = Mirror Stainless Steel
	124DK24		BR8 = Mirror Brass
10	462GV1	Spacer	
11	354CD57	Stand-Off	
12	131CN1	Washer	

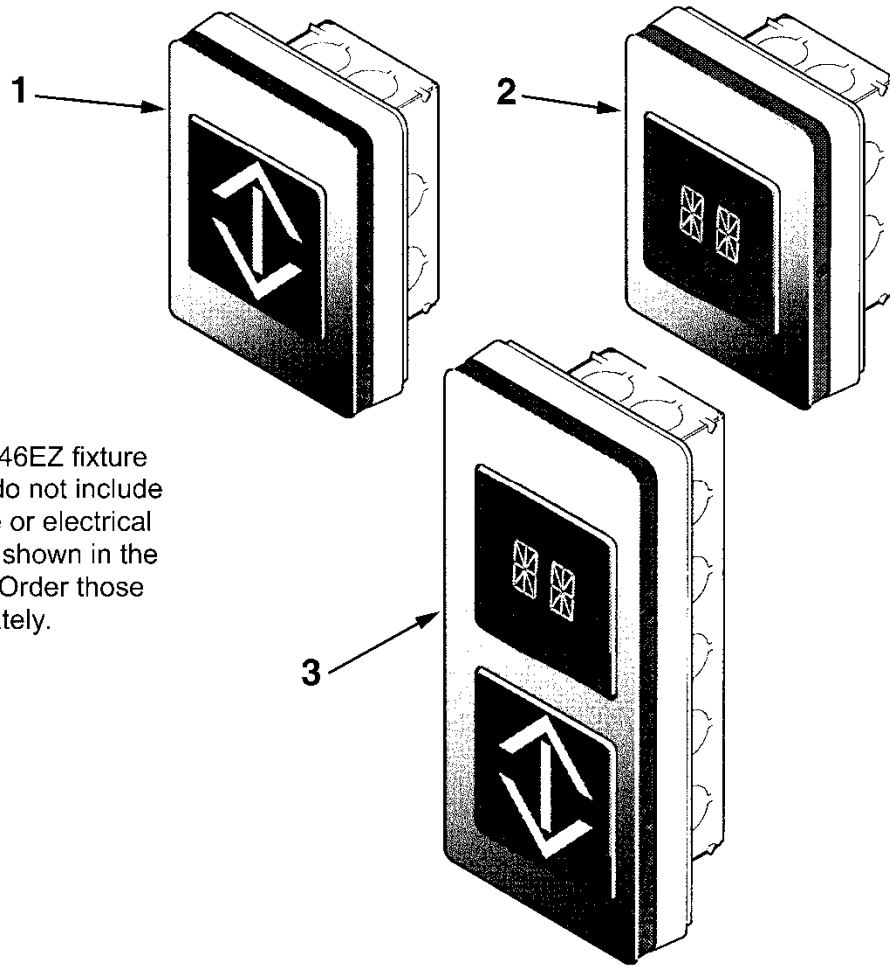
* Not shown. Order two if specified



REF. No.	PART No.	DESCRIPTION	
1	309BN12	Box, Electrical, 5-Gang	
2	AAA447AC5	Connector, Feed-Through, 3-Circuit	
3	AAA447AC3	Connector, Feed-Through, 4-Circuit	
4	AAA00176AAD003	Connector, Feed-Through, 6-Circuit	
5	A396JL2	Housing	
*	124DK25	Screw, Spanner	SS4 = Brushed Stainless Steel
	124DK26		BR7 = Brushed Brass
	124DK27		SS8 = Mirror Stainless Steel
	124DK28		BR8 = Mirror Brass

* Not shown. Order two if specified.

NOTE: This page lists unique LRUs for the combination hall lantern and position indicator. Pages 3 and 4 list the lantern and position indicator parts.



NOTE:
Type AAA6646EZ fixture assemblies do not include the faceplate or electrical gang box as shown in the illustrations. Order those items separately.

REF. No.	PART No.	DESCRIPTION
	AAA6646EZ	
1	AAA6646EZ1	Assembly, Hall Lantern, Horizontal Mounting, Less Faceplate w/Gong PC Board-Remote Station
	AAA6646EZ2	Assembly, Hall Lantern, Vertical Mounting, Less Faceplate w/Gong PC Board-Remote Station
2	AAA6646EZ3	Assembly, Hall Position Indicator, Horizontal Mounting, Less Faceplate, w/Remote Station PC Board p/n AAA08200AAB001
	AAA6646EZ7	Assembly, Hall Position Indicator, Horizontal Mounting, Less Faceplate, w/Remote Station PC Board p/n AAA08200AAB004
	AAA6646EZ4	Assembly, Hall Position Indicator, Vertical Mounting, Less Faceplate, w/Remote Station PC Board p/n AAA08200AAB001
	AAA6646EZ8	Assembly, Hall Position Indicator, Vertical Mounting, Less Faceplate, w/Remote Station PC Board p/n AAA08200AAB004
3	AAA6646EZ5	Assembly, Combination Hall Lantern & Position Indicator, Horizontal Mounting, Less Faceplate w/Gong PC Board-Remote Station
	AAA6646EZ6	Assembly, Combination Hall Lantern & Position Indicator, Vertical Mounting, Less Faceplate w/Gong PC Board-Remote Station