

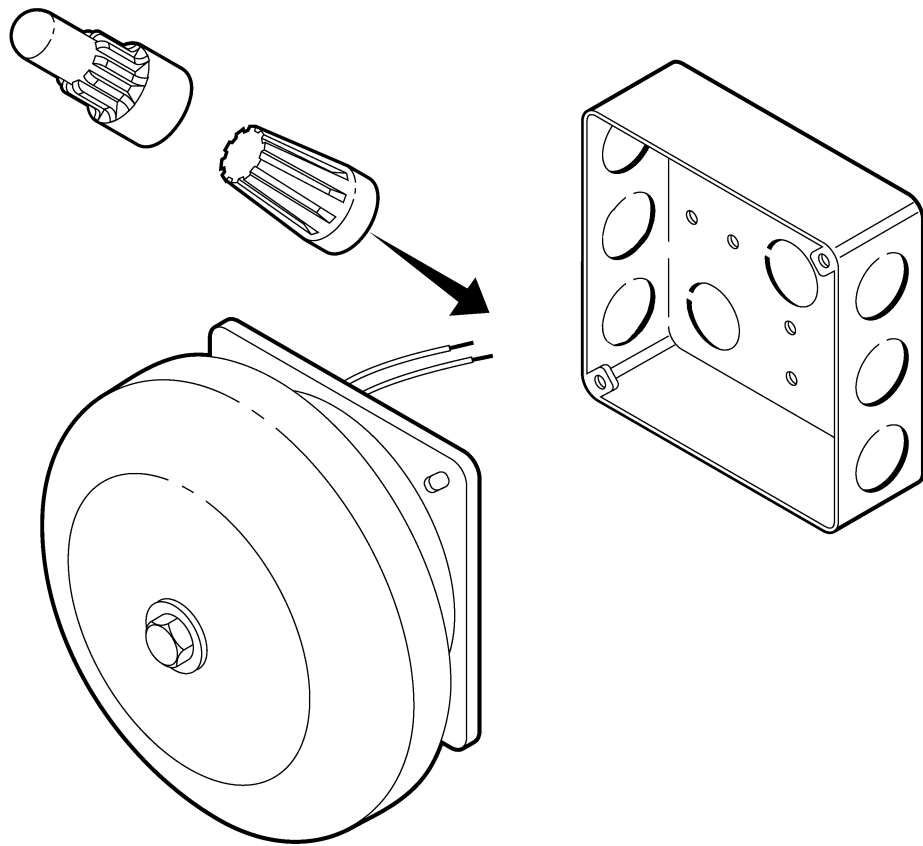
**Bell Assembly:
Second Audible Signal
Device**

Spare Parts Leaflet

34-AAA7003BK

September 1, 1999 / Page 1 of 3

**W/O
VINTAGE**



Unpublished Work—© Otis Elevator Co.; 1999

OTIS

Safety First!

SERVICE ENGINEERING

Otis Elevator Company
Bloomfield, Connecticut USA

History
34-AAA7003BK
First Published: September 1, 1999

**Bell Assembly:
Second Audible Signal
Device**

REVISED DATE	RESPONSIBLE ENGINEER	PRIMARY REASON FOR REVISION
September 1, 1999	Burt Greenfield	Spare parts information, new leaflet

Leaflet Description

This leaflet provides spare parts information for type AAA7003BK bell.

RELATED LEAFLET NUMBERS	TITLES
---	---

DRAWING REFERENCES
AAA7003BK
AAA311E

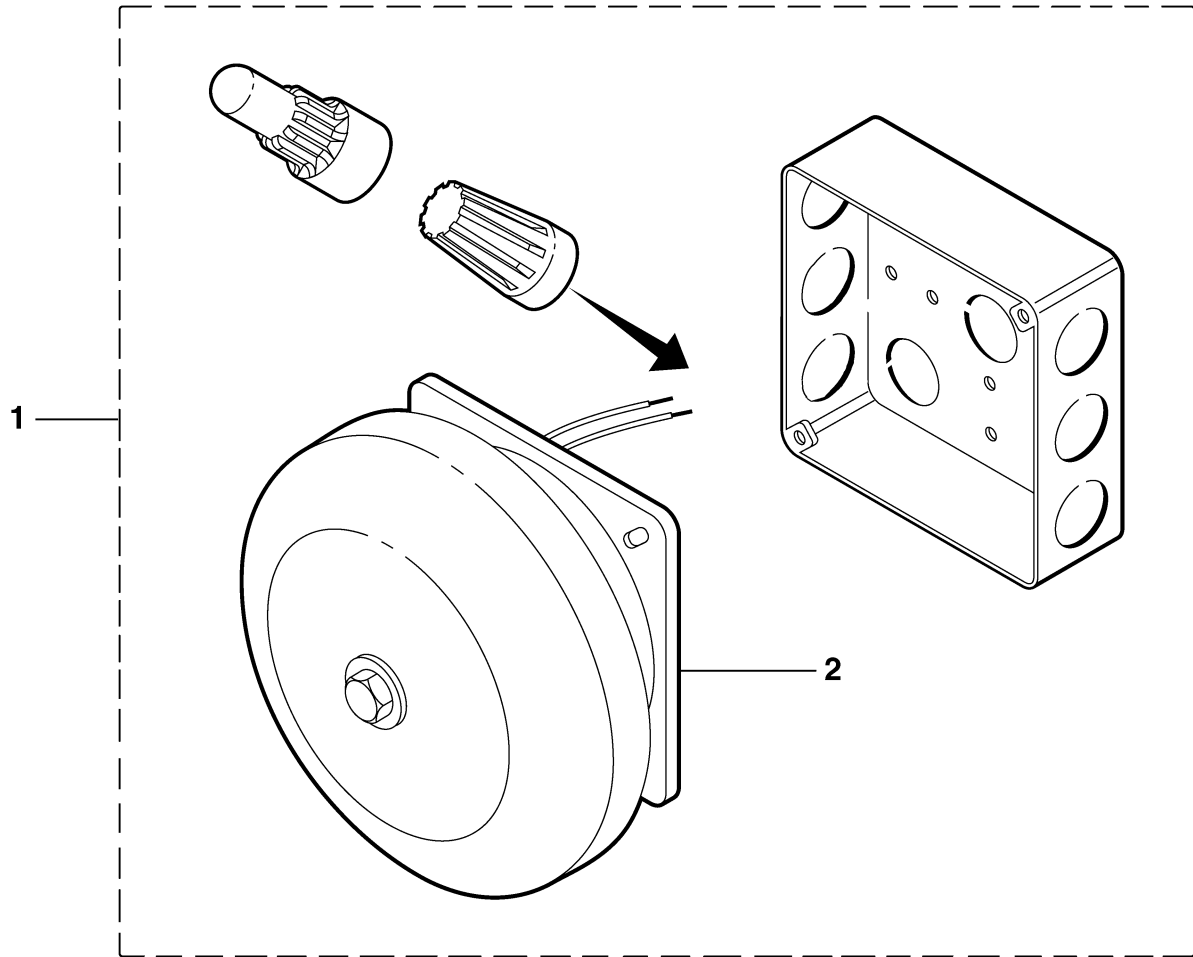
RELATED DOCUMENT NUMBERS	TITLES
---	---

This Spare Parts Leaflet (SPL) is prepared to assist you in determining the Lowest Replaceable Units (LRU) supported by the Otis Service Center for the standard version of the product titled on the preceding page. The parts are chosen by Otis associates from: Engineering, Field Engineering, Service Engineering, and Manufacturing. We attempt to make part identification as easy as possible. The SPL, however, cannot be all inclusive. Elevator and escalator contracts classified as either "special" or "custom" are not addressed. Alternative sources of information such as: the Contract Folder, Technical Information Publications, Field Education Articles, Construction Letters, etc. may give the information you are after. You live in the real world of maintaining your elevator and escalator contracts. On a daily basis, situations arise regarding parts identification and at times, for some reason, the part you need is not in the SPL. If you think a standard part not listed should be—let us know. We will respond.

Burt Greenfield-OSC Service Engineering

Type AAA7003BK Bell Assembly

34-AAA7003BK



REF. NO.	W/O VINTAGE	DESCRIPTION
	PART or ML	
1	AAA7003BK1	Assembly, Bell. Includes Bell AAA311E2, Wire Joint AAA651C4 & Box 309CA1
	AAA7003BK2	Assembly, Bell. Includes Bell AAA311E1, Wire Joint AAA651C4 & Box 309CA1
2	AAA311E1	Bell, 6 Volts, Direct Current
	AAA311E2	Bell, 12 Volts, Direct Current