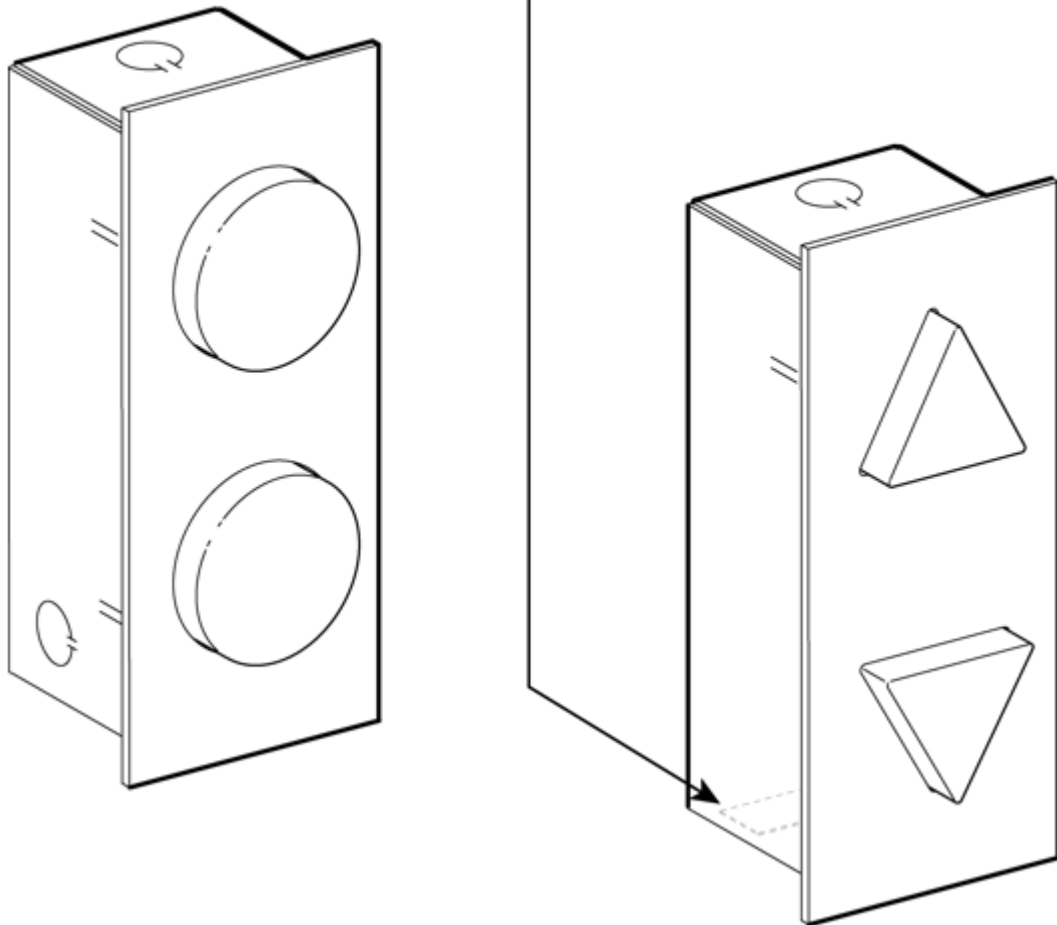


**Hall Lantern (LED),
RSL/CAN**

**Spare Parts Leaflet
34-ACA6646AAD**

June 26, 2024 / Page 1 of 5

34 C - ACA6646AAD



OTIS

This document does not contain any
technical data subject to EAR or ITAR

**SERVICE ENGINEERING
Otis Elevator Company
Bloomfield, Connecticut USA**

Unpublished Work—© Otis Elevator Co.; 2024

History

34-ACA6646AAD

Leaflet Description

This leaflet provides information for modular control systems and E2/Global OP controller support. ACA6646AAD replaces ABA(AAA)6646AAD hall lanterns with faceplate. The hall lantern indicates an elevator's direction of travel.

Leaflet Revisions

Date Revised	Subject Matter Expert	Reason for Revision
February 22, 2023	Vadzim Fedarenka	New SPL
August 16, 2023	Ali Bozorgzadeh	Corrected p/n in Ref. 6 on p. 5
January 17, 2024	Vadzim Fedarenka	Updated illustration of AAA376HL13 & -14 due to shape change.
June 26, 2024	Vadzim Fedarenka	Corrected box part number (item 1 on p. 5).

Related Drawings

Drawing No.	Title	Drawing No.	Title
ACA6646AAD	Assembly and Arrangement Hall Lantern and Position Indicator (LED)	ABA6646AAD	Assembly and Arrangement Hall Lantern and Position Indicator (LED)
AAA6646AAD	Assembly and Arrangement Hall Lantern with Faceplate		

Related Documents

Document ID	Title
34-AAA6646AAD	Hall Lantern with Faceplate

Subject Matter Expert

Name	Department
Vadzim Fedarenka	OSC Service Engineering

About Spare Parts Leaflets...

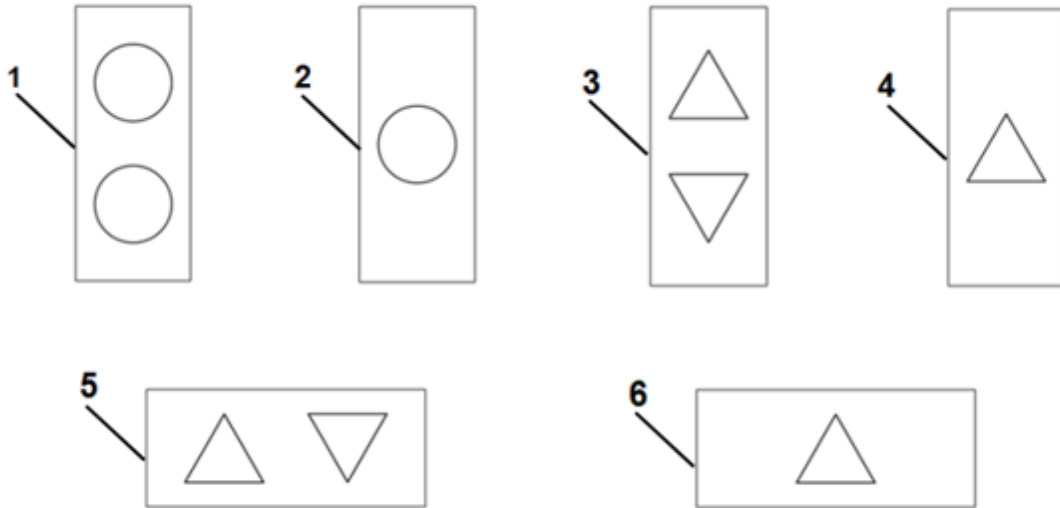
This document lists the lowest replaceable units (LRUs) for the standard version of the product. The LRUs are chosen by a team of Otis associates representing engineering and manufacturing.

While goal of this document is to make parts identification as easy as possible, the document cannot be all-inclusive. Elevator and escalator contracts classified as "special" or "custom" are not addressed here. For such contracts, please refer to specified information, the contract folder, TIPs, Field Education Articles, Construction Letters, etc. for further information.

If you have any suggestions about this document, please contact the subject matter expert listed on this page.

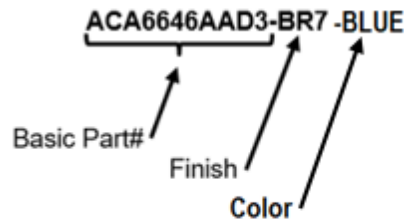
Arrangements & Ordering Process

ACA6646AAD Arrangements:



ACA6646AAD Ordering Process:

When ordering, you need to complete the part number with:



Example: Part number above indicates Vertical Intermediate Hall Lantern, (2) Triangular Lenses, Brass Brushed finished, Blue Illumination Color

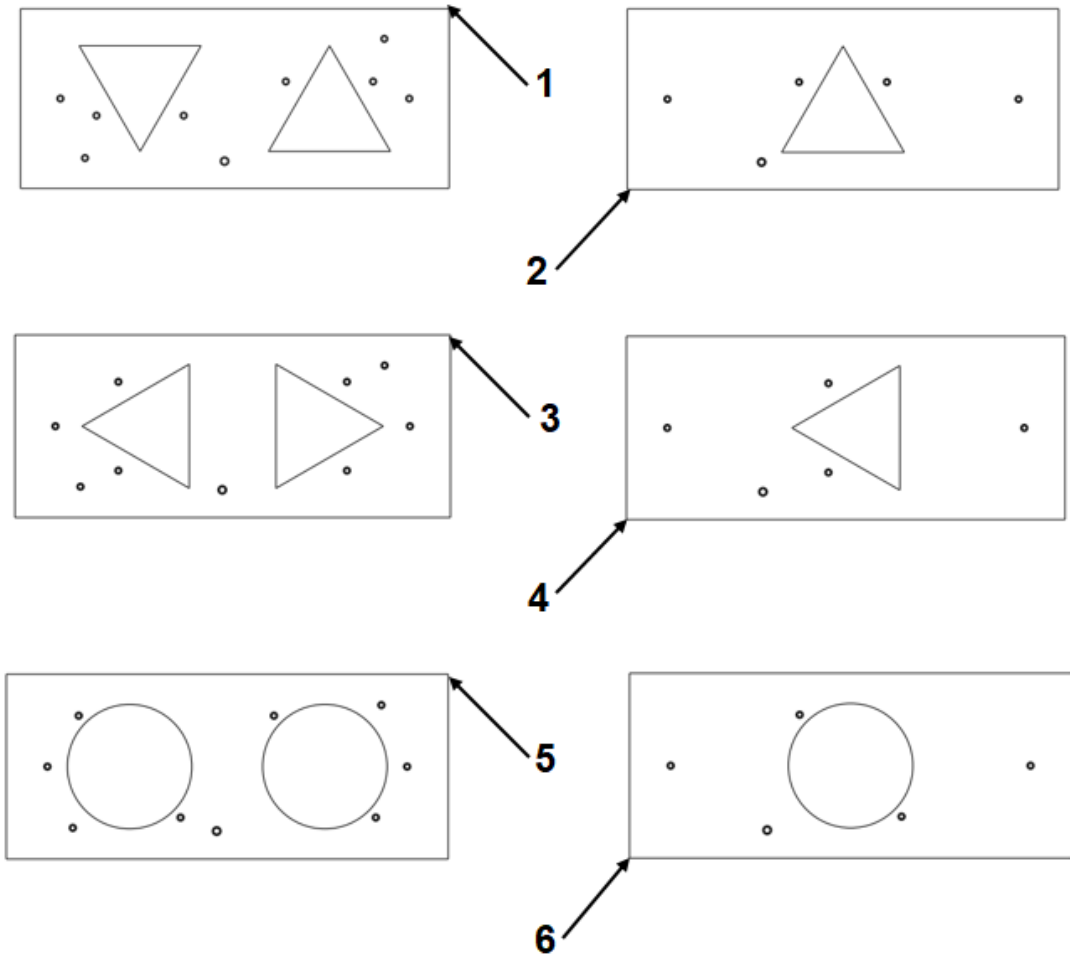
REF. No.	Part No.	DESCRIPTION
1	ACA6646AAD1-__*__**	Hall Lantern, Vertical/Horizontal, Round Lenses, Terminal/Intermediate
2	ACA6646AAD2-__*__**	Hall Lantern, Vertical/Horizontal, Round Lens, Bottom/Top Terminal
3	ACA6646AAD3-__*__**	Hall Lantern, Vertical, Triangular Lenses, Intermediate
4	ACA6646AAD4-__*__**	Hall Lantern, Vertical, Triangular Lens, Bottom/Top Terminal
5	ACA6646AAD5-__*__**	Hall Lantern, Horizontal, Triangular Lenses, Intermediate
6	ACA6646AAD6-__*__**	Hall Lantern, Horizontal, Triangular Lens, Bottom/Top Terminal

* The available four finishes are: FS4 (brushed stainless, covers MF4 & SS4), SS8 (mirror stainless), BR7 (brushed brass), and BR8 (mirror brass).

** The available lens illumination colors: RED, GREEN, BLUE, WHITE

Faceplates

34-ACA6646AAD

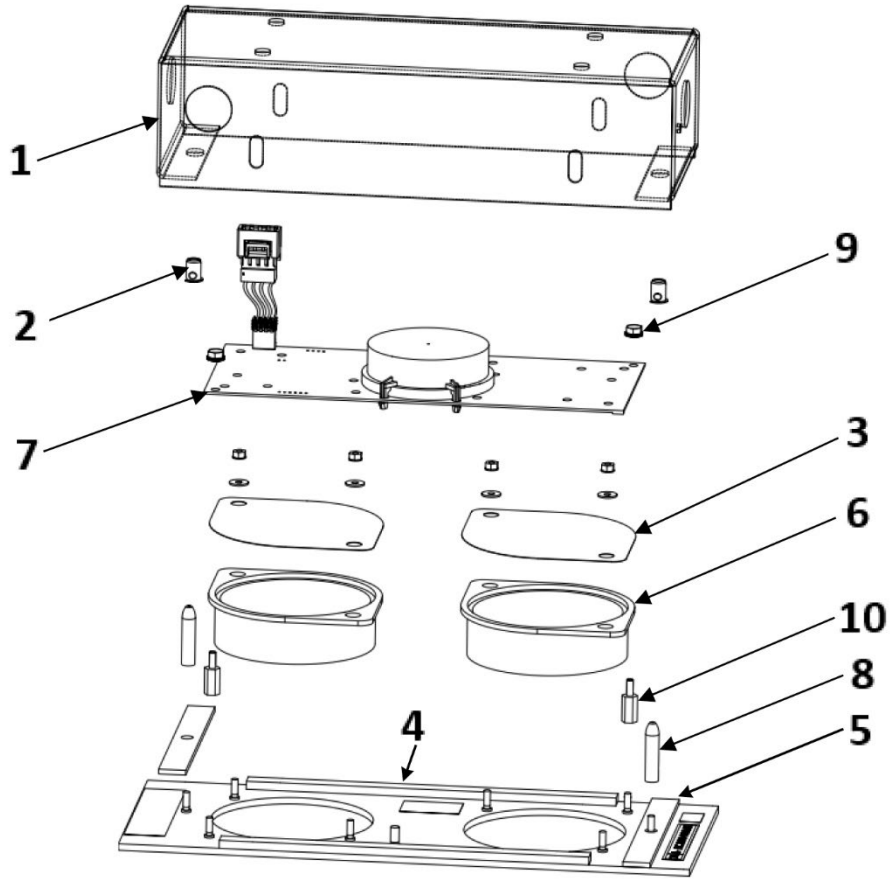


ACA6646AAD			
REF. No.	PART No.	Available Finish	APPLICATION
1	AAA147AAV1-__*	FS4, SS8, BR7, BR8	ACA6646AAD5-__-__
2	AAA147AAV3-__*		ACA6646AAD6-__-__
3	AAA147AAV5-__*		ACA6646AAD3-__-__
4	AAA147AAV7-__*		ACA6646AAD4-__-__
5	AAA147AAV9-__*		ACA6646AAD1-__-__
6	AAA147AAV11-__*		ACA6646AAD2-__-__

* - When ordering, include finish suffix in part number. For example: **AAA147AAV1-BR7**

Hall Lantern Spare Parts

34-ACA6646AAD



ACA6646AAD		
REF. No.	PART No.	DESCRIPTION
1	313CA4	Box
---	AAA174YL24	Cable (not shown)
2	AAA339QH1	Clip, Tubular
3	443BK3	Diffuser, Triangle
	443BK5	Diffuser, Round
4	AAA376HL13	Gasket, Dust
5	AAA376HL14	
6	449BA1	Lens, Hall Lantern, Round, White
	A449AS1	Lens, Hall Lantern, Triangle, White
7	AAA26800BCD1	PC-Board, Dual LED, RED-GREEN-BLUE-WHITE Illuminated *
	AAA26800BCM1	PC-Board, Single LED, RED-GREEN-BLUE-WHITE Illuminated **
8	AAA81QP3	Pin, Guidepost
9	AAA72MC1	Speed Nut
10	354BX1	Standoff

* applicable with ACA6646AAD1, 3, and 5

** applicable with ACA6646AAD2, 4, and 6