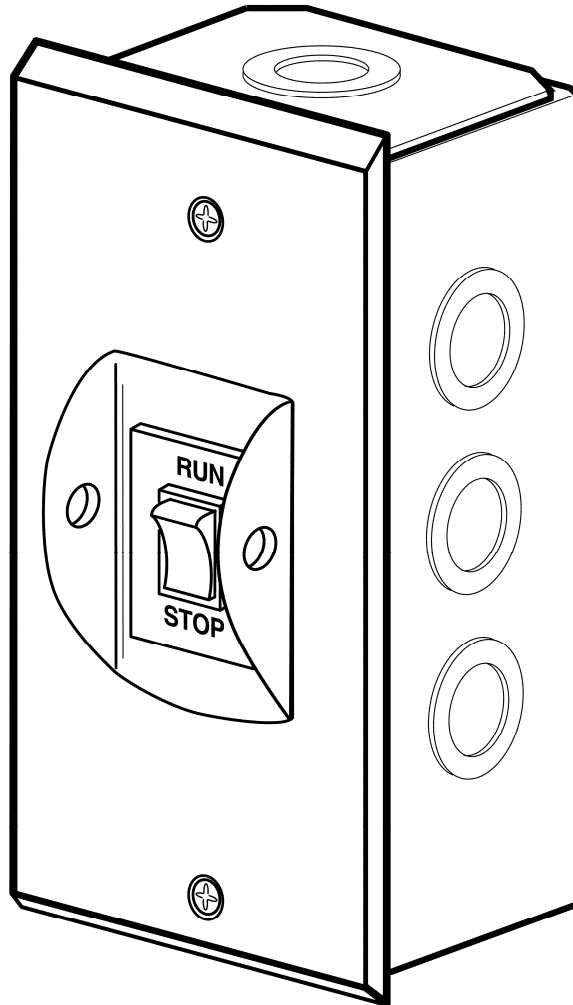


Pit Switch

Spare Parts Leaflet

35-AAA22800A

April 1999 / Page 1 of 3



OTIS

Safety First!

SERVICE ENGINEERING

**Otis Elevator Company
Bloomfield, Connecticut USA**

History
35-AAA22800A
First Published: April 1999

Pit Switch

REVISED DATE	RESPONSIBLE ENGINEER	PRIMARY REASON FOR REVISION
April 1999	B. Greenfield	Initial Release

Leaflet Description

This is enclosed Stop/Run pit switch box assembly.

RELATED LEAFLET NUMBERS	TITLES
40-AAA29000J	LVM System Leaflet

DRAWING REFERENCES
AAA29000J
AAA22800A

RELATED DOCUMENT NUMBERS	TITLES
PCAN 2709	Product Change creating product

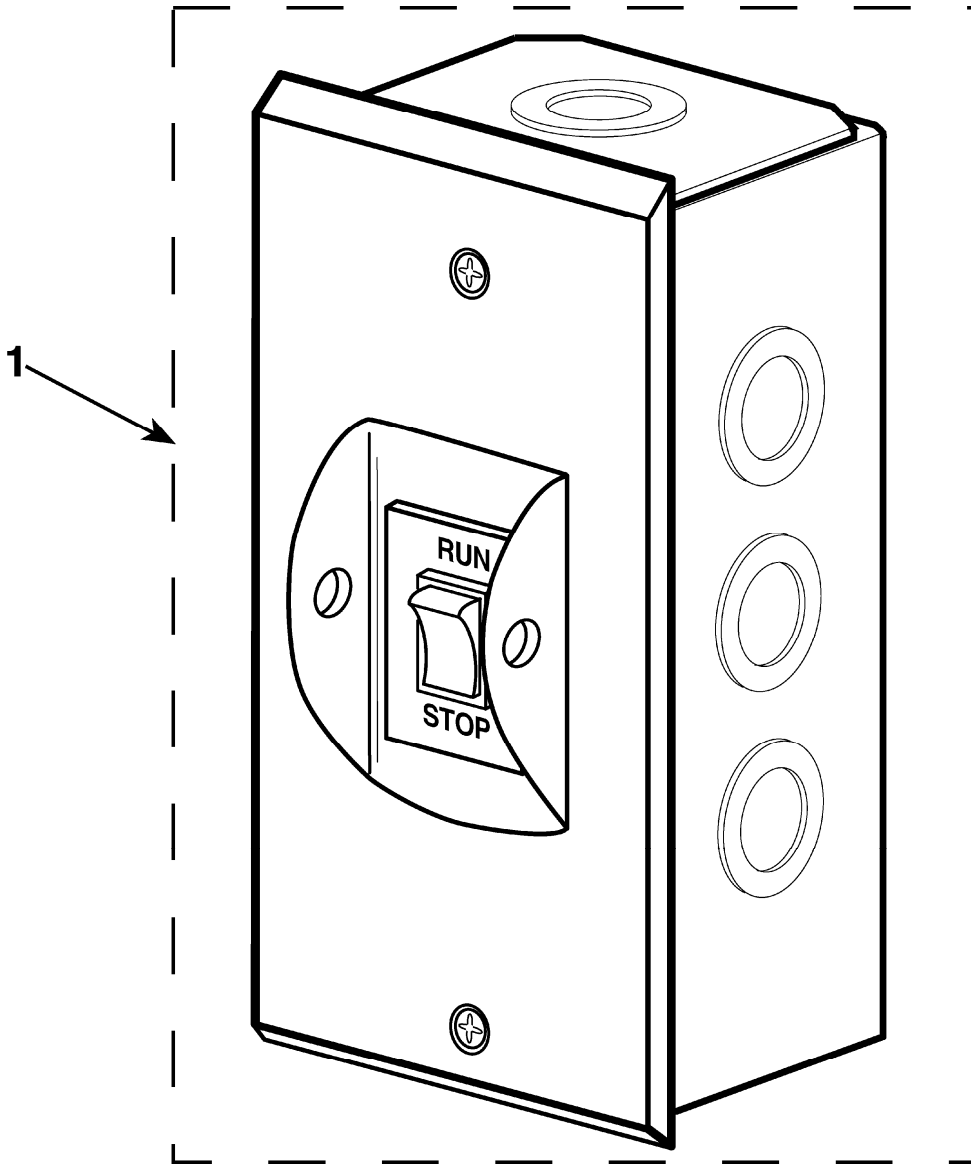
This Spare Parts Leaflet (SPL) is prepared to assist you in determining the Lowest Replaceable Units (LRU) supported by the Otis Service Center for the standard version of the product titled on the preceding page. The parts are chosen by Otis associates from: Engineering, Field Engineering, Service Engineering, and Manufacturing. We attempt to make part identification as easy as possible. The SPL, however, cannot be all inclusive. Elevator and escalator contracts classified as either "special" or "custom" are not addressed. Alternative sources of information such as: the Contract Folder, Technical Information Publications, Field Education Articles, Construction Letters, etc. may give the information you are after. You live in the real world of maintaining your elevator and escalator contracts. On a daily basis, situations arise regarding parts identification and at times, for some reason, the part you need is not in the SPL. If you think a standard part not listed should be—let us know. We will respond.

--

Burt Greenfield-Service Engineering

Stop/Run Pit Switch Assembly

35-AAA22800A



REF. NO.	W/O VINTAGE PART or ML	DESCRIPTION
1	AAA22800A1	Switch Assembly for Pit with non-illuminated Switch Activator, Single-Pole, Single-Throw Switch
	AAA22800A2	Switch Assembly for Top-of-Car with Lighted Red Rocker Activator, Single-Pole, Double-Throw Switch