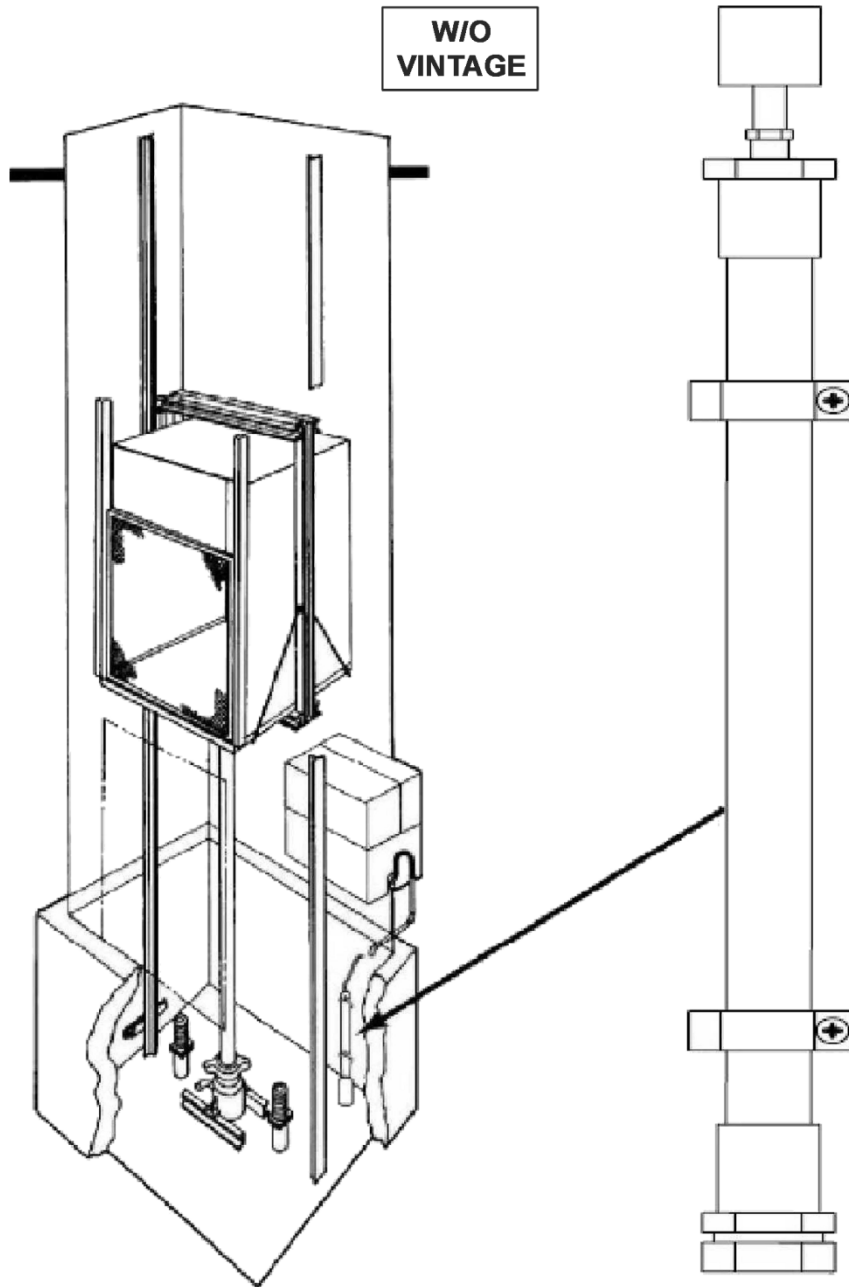


# Float Switch Assembly Flood

Spare Parts Leaflet  
35-AAA22800AG

March 1, 2017 / Page 1 of 3



# OTIS

This document does not contain any technical data subject to EAR or ITAR

SERVICE ENGINEERING  
Otis Elevator Company  
Bloomfield, Connecticut USA

Unpublished Work—© Otis Elevator Co.; 2017

## Leaflet Description

This leaflet provides spare parts information for the flood float switch assembly used on Gen2 Underslung, Gen2 Overslung, and Hydro.

### Leaflet Revisions

Date Revised	Subject Matter Expert	Reason for Revision
March 1, 2017	Priyank Mehta	New SPL

### Related Drawings

Drawing No.	Title	Drawing No.	Title
AAA22800AG	Assembly, Flood Float Switch	AAA21600KK	Electrical Cable, Flood Float Switch
AAA389CQ	Hanger w/ Bolt		

### Related Documents

Document ID	Title
---	---
---	---

### Subject Matter Expert

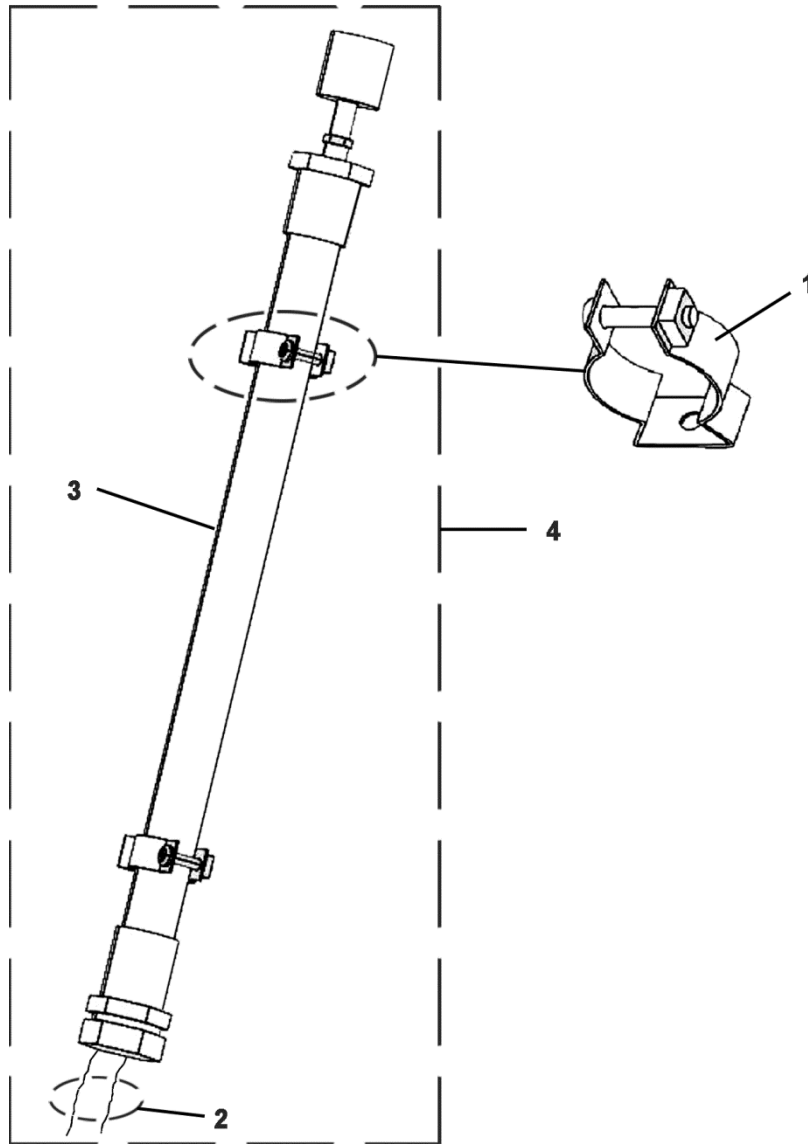
Name	Department
Troy Chicoine	OSC Service Engineering

### About Spare Parts Leaflets...

This document lists the lowest replaceable units (LRUs) for the standard version of the product. The LRUs are chosen by a team of Otis associates representing engineering and manufacturing.

While goal of this document is to make parts identification as easy as possible, the document cannot be all-inclusive. Elevator and escalator contracts classified as “special” or “custom” are not addressed here. For such contracts, please refer to specified information, the contract folder, TIPs, Field Education Articles, Construction Letters, etc. for further information.

If you have any suggestions about this document, please contact the subject matter expert listed on this page.



W/O VINTAGE		
REF. No.	PART No.	DESCRIPTION
1	AAA389CQ1	Hanger, Mounting Bracket w/ Bolt, 1 in. Dia.
2	AAA21600KK1	Harness, Wire (for flood switch)
3	AAA22800AG1	Switch, Float
4	AAA22800AG2	Switch, Float and Mounting Clamps