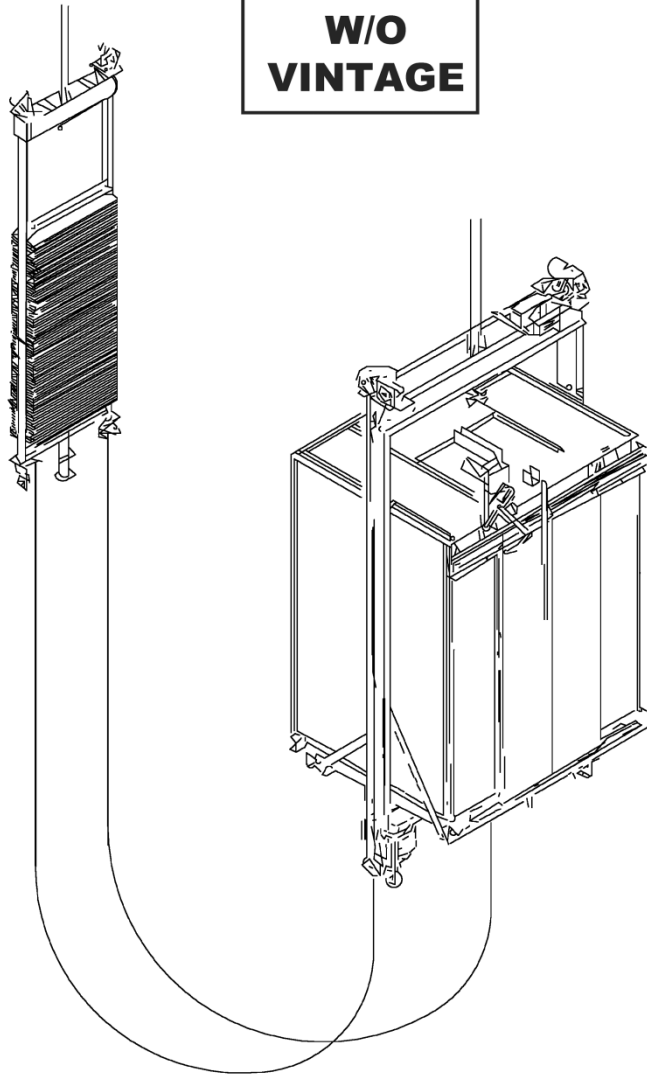


Compensation Chain and Hitch

Spare Parts Leaflet
36-AAA24800F

June 19, 2024 / Page 1 of 12

**W/O
VINTAGE**



OTIS

This document contains technical data
subject to EAR. ECCN=EAR99

SERVICE ENGINEERING
Otis Elevator Company
Bloomfield, Connecticut USA

Unpublished Work—© Otis Elevator Co.; 2024

History

36-AAA24800F

Leaflet Description

This SPL lists the common hitch parts used to secure chain type compensation (bare and foam encapsulated) beneath the carframe and counterweight.

Leaflet Revisions

Date Revised	Subject Matter Expert	Reason for Revision
See Next Page for Revision History		

Related Drawings

Drawing No.	Title	Drawing No.	Title
AAA24800F	Compensation Chain Arrangement	AAA332BR	Compensation Chain
AAA22350B	Compensation Chain Arrangement	AAA385SP	Compensation Guides
HAA332AE	Compensation Chain		

Related Documents

Document ID	Title
SPL 16-AAA6055DA	Counterweight, 7" Uprights, with or without Tie-Down Compensation, 13,500 lb. Max.
SPL 16-AAA6055DE	Counterweight, 7" Uprights, with Tie-Down Compensation and Inertia Release Device, 13,500 lb. Max.
SPL 16-AAA6055DR	Counterweight, 6" Uprights, with or without Chain Compensation, 11,000 lb. Max.
SPL 16-AAA6055CP	Counterweight, 7" Uprights, with Tie-Down Compensation, 14,300–16,000 lb.
SPL 16-AAA25800H	Counterweight, Wood Blocking
SPL 16-AAA22000AAC	Counterweight, Displacement Detector
TIP 15.2-1	Guide for Compensation Chain

Subject Matter Expert

Name	Department
Gary Mendrala	OSC Service Engineering

About Spare Parts Leaflets...

This document lists the lowest replaceable units (LRUs) for the standard version of the product. The LRUs are chosen by a team of Otis associates representing engineering and manufacturing.

While goal of this document is to make parts identification as easy as possible, the document cannot be all-inclusive. Elevator and escalator contracts classified as "special" or "custom" are not addressed here. For such contracts, please refer to specified information, the contract folder, TIPs, Field Education Articles, Construction Letters, etc. for further information.

If you have any suggestions about this document, please contact the subject matter expert listed on this page.

History (continued)

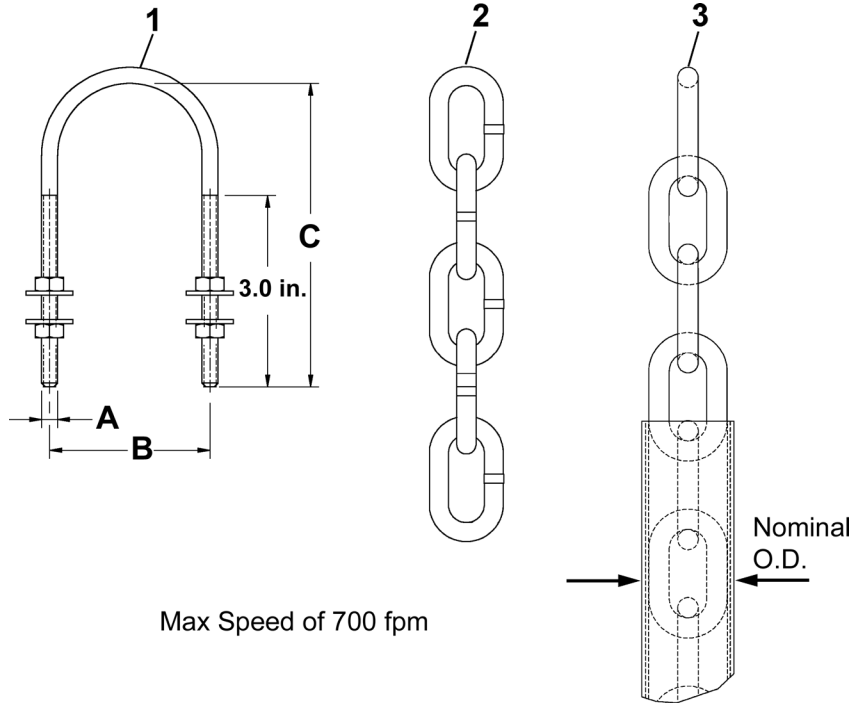
36-AAA24800F

Leaflet Revisions

Date Revised	Subject Matter Expert	Reason for Revision
June 2, 2005	Sean Mismas	New SPL
May 26, 2010	Gary Mendrala	Added AAA332BR compensation chain
May 9, 2012	Gary Mendrala	Added AAA385SP403, AAA430FP1, 339E1, and 377T5
November 9, 2016	Gary Mendrala	Added AAA332BR990 and 991 (p. 30; Inserted new p. 7; Added p/n 430EK1 (p. 9).
June 21, 2017	Gary Mendrala	Added REP-WF-RDD4 and REP-WF-RDD4-RLR; updated illustrations on p. 5.
May 9, 2018	Gary Mendrala	Added p/n AAA385RS1 on p. 4
June 19, 2024	Gary Mendrala	Added HAA332AE compensation chains, 509W2 S-hook, 430E3 & 4 links.

Compensation Hitch Parts

36-AAA24800F

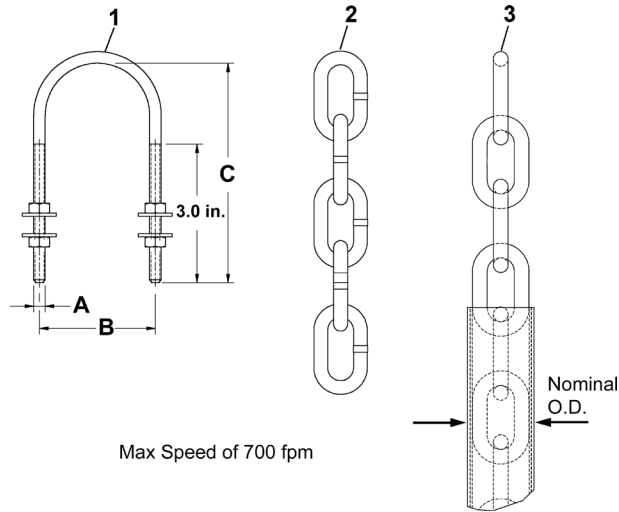


		W/O VINTAGE
REF. No.	PART No.	DESCRIPTION
1	AAA65GF5	Bolt, U-Type with Hardware, A: 3/8-16 in., B:1.76 in., C: 4.75 in.
	AAA65GF4	Bolt, U-Type with Hardware, A: 3/8-16 in., B: 5.00 in., C: 6.30 in.
	AAA65GF2	Bolt, U-Type with Hardware, A: 3/8-16 in., B: 2.50 in., C: 4.75 in.
2	AAA332BQ1	Chain, Bare, 3/16 in., 48 in. L
	AAA332BQ2	Chain, Bare, 1/4 in., 48 in. L
	AAA332BQ3	Chain, Bare, 5/16 in., 48 in. L
	AAA332BQ4	Chain, Bare, 3/8 in., 48 in. L

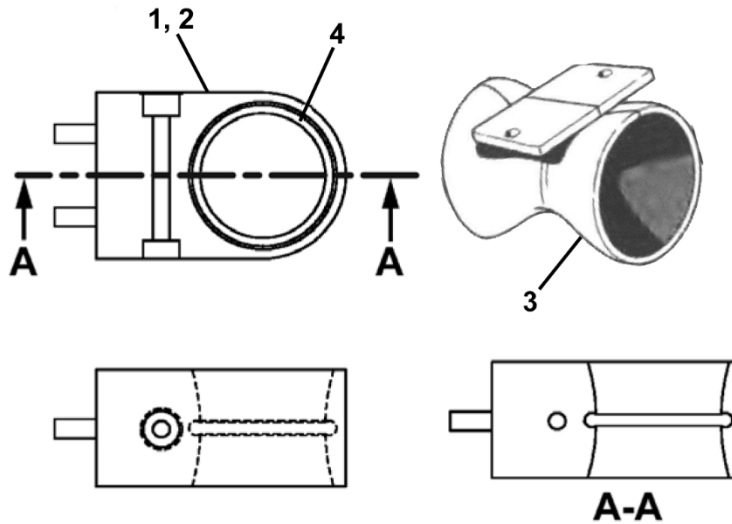
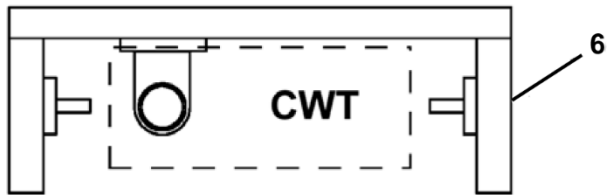
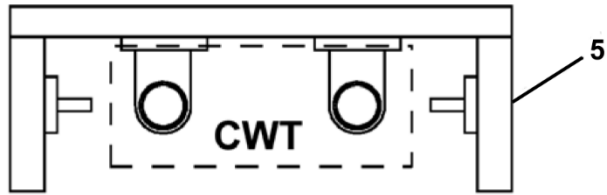
(Continued on next page)

Compensation Hitch Parts (continued)

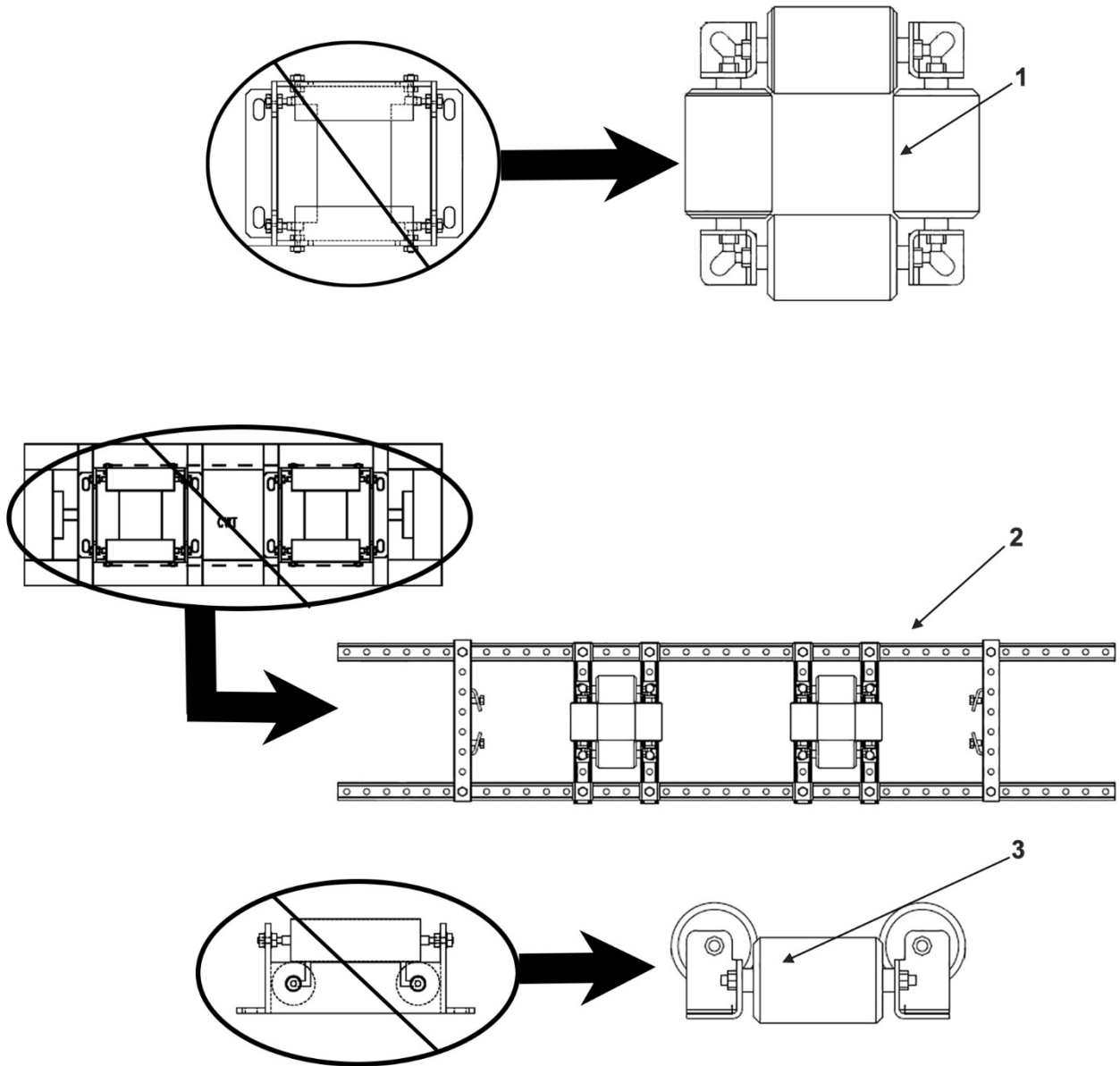
36-AAA24800F



REF. No.	W/O VINTAGE	DESCRIPTION			
	PART No.	NOMINAL (in.)	MAX. HANG LENGTH (ft.)	CHAIN WEIGHT (lb./ft.)	PRODUCT CODE
3	WHISPERFLEX, FOAM ENCAPSULATED CHAIN				
	AAA332BR992	1.05	600	0.75	WF075
	AAA332BR999	1.15	600	1.0	WF10
	AAA332BR998	1.36	600	1.5	WF15
	AAA332BR997	1.50	520	2.0	WF20
	AAA332BR991	1.57	262	1.75	WF17.5
	AAA332BR996	1.63	600	2.5	WF25
	AAA332BR990	1.68	231	2.25	WF22.5
	AAA332BR995	1.77	500	3.0	WF30
	AAA332BR994	1.91	600	3.5	WF35
	AAA332BR993	2.03	530	4.0	WF40
	WFQS, PLASTIC ENCAPSULATED CHAIN				
	HAA332AE9	1.05	600	0.75	WFQS075
	HAA332AE8	1.15	600	1.0	WFQS100
	HAA332AE2	1.36	600	1.5	WFQS150
	HAA332AE3	1.50	520	2.0	WFQS20
	HAA332AE10	1.57	262	1.75	WFQS175
	HAA332AE4	1.63	600	2.5	WFQS25
	HAA332AE5	1.77	500	3.0	WFQS30
	HAA332AE6	1.91	600	3.5	WFQS35
HAA332AE7	2.03	530	4.0	WFQS40	



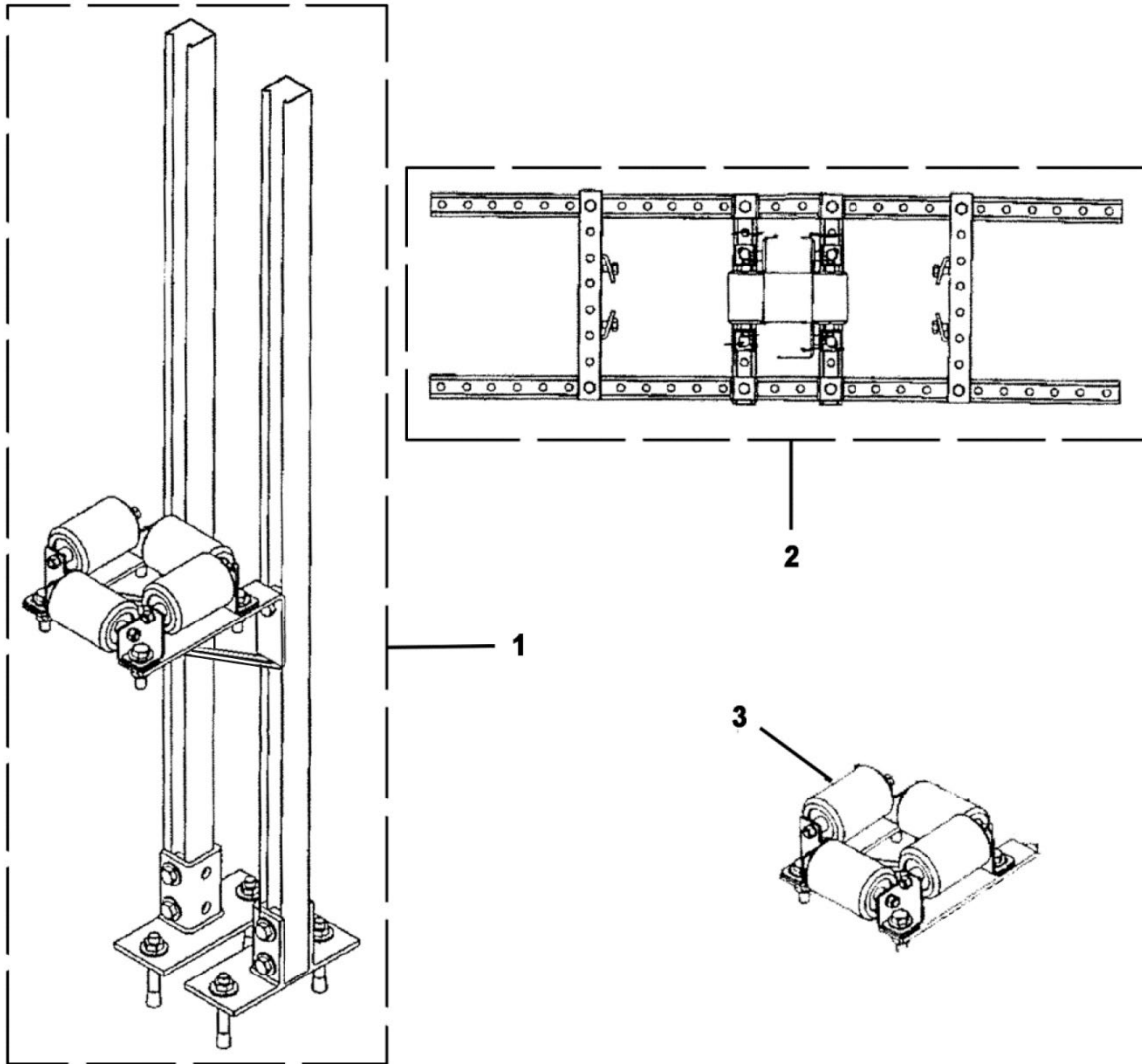
REF. No.	W/O VINTAGE		SPEED (fpm)
	PART No.	DESCRIPTION	
1	WF-SRD-1	Guide (1 in Kit)	200–500
2	WF-SRD	Guide (2 in Kit)	200–500
3	AAA385RS1	Guide, 2.7 in. ID	200–500
4	AAA385SP500	Ring, Brass	200–500
5	AAA385SP400	Swayless Guide, Dual	200–500
6	AAA385SP402	Swayless Guide, Single	200–500



W/O VINTAGE			
REF. No.	PART No.	DESCRIPTION	SPEED (fpm)
1	REP-WF-RDD2 REP-WF-RDD4	Roller Assembly	351-700
2	AAA385SP401	Roller Assembly, Dual	351-700
3	REP-WF-RDD2-RLR REP-WF-RDD4-RLR	Roller, Individual	351-700

Compensation Roller Guides

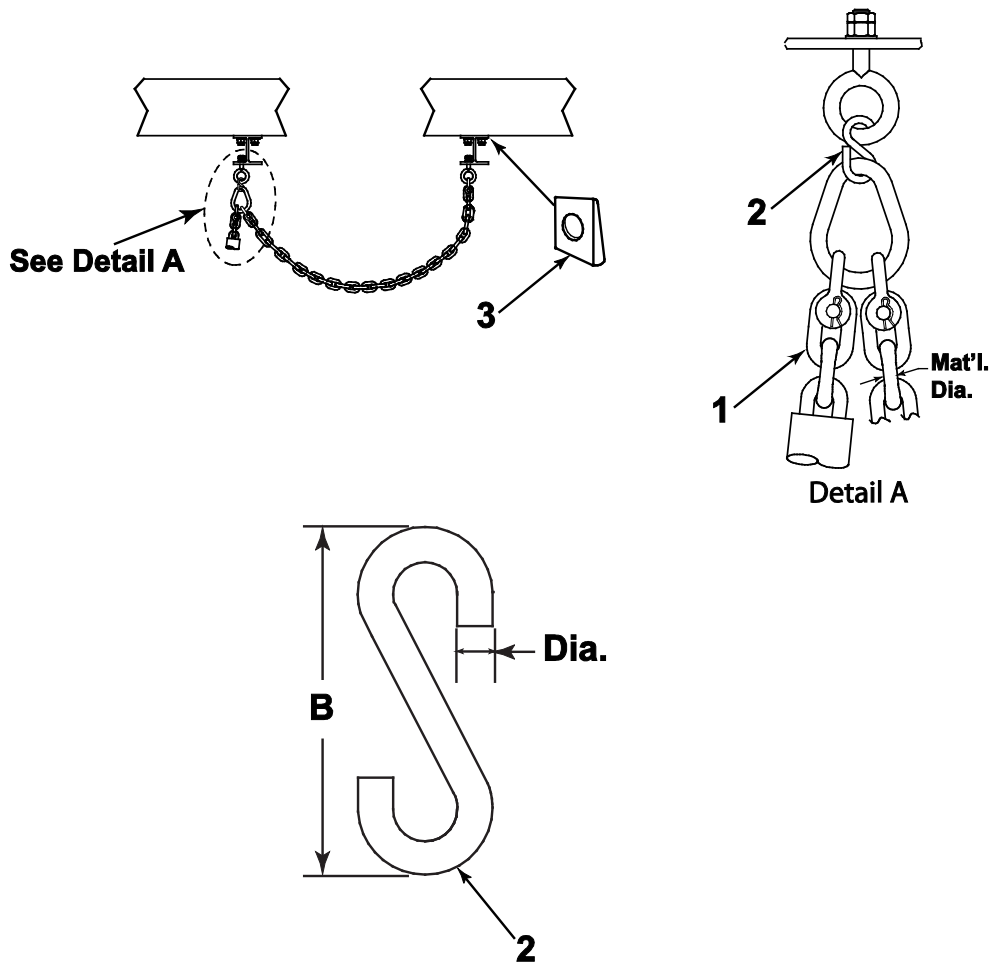
36-AAA24800F



W/O VINTAGE		
REF. No.	PART No.	DESCRIPTION
1	AAA385SP404	Guide Assembly, Floor Mount Includes Two Roller Guide Assemblies (1 is shown)
2	AAA385SP405	Guide Assembly, Horizontal
3	REP-WF-RDD4-RLR	Guide, Roller

Compensation Hitch Parts

36-AAA24800F

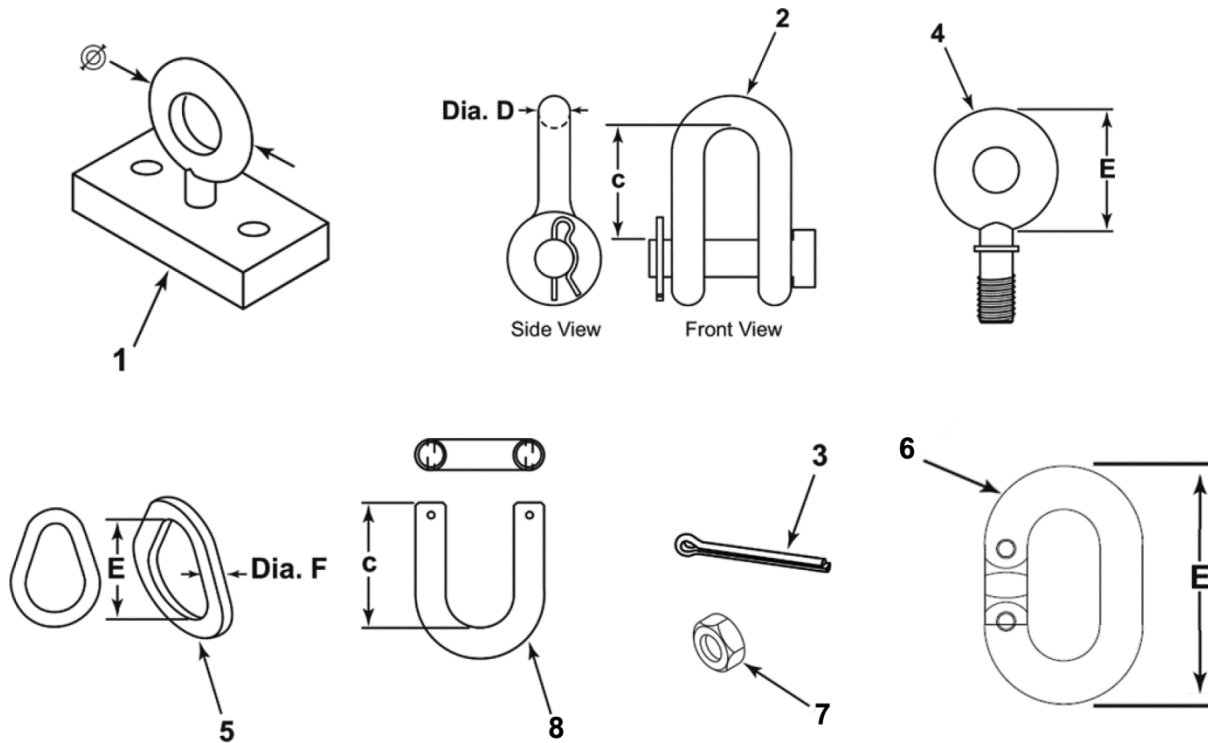


W/O VINTAGE		
REF. No.	PART No.	DESCRIPTION
1	AAA332BQ1	Chain, 3/16, 0.213 \varnothing , 0.41/lb per ft., 800 lbs. WLL, \boxed{W} WF10/075
	AAA332BQ2	Chain, 1/4, 0.279 \varnothing , 0.72/lb per ft., 1300 lbs. WLL, \boxed{W} WF15/20
	AAA332BQ3	Chain, 5/16, 0.335 \varnothing , 1.06/lb per ft., 1900 lbs. WLL, \boxed{W} WF25/30
	AAA332BQ4	Chain, 3/8, 0.401 \varnothing , 1.55/lb per ft., 2650 lbs. WLL, \boxed{W} WF35/40
2	509W2	Hook, S-Type, Open End, B = 3.000 in., 0.250 \varnothing
	509W3	Hook, S-Type, Open End, B = 3.125 in., 0.375 \varnothing
	509W4	Hook, S-Type, Open End, B = 3.500 in., 0.375 \varnothing
	509W5	Hook, S-Type, Open End, B = 3.750 in., 0.375 \varnothing
3	131A8	Washer, Bevel (for 3/8 in. Bolt)
	131A10	Washer, Bevel (for 5/8 in. Bolt)

WLL = working load limit

Chain Hardware Parts

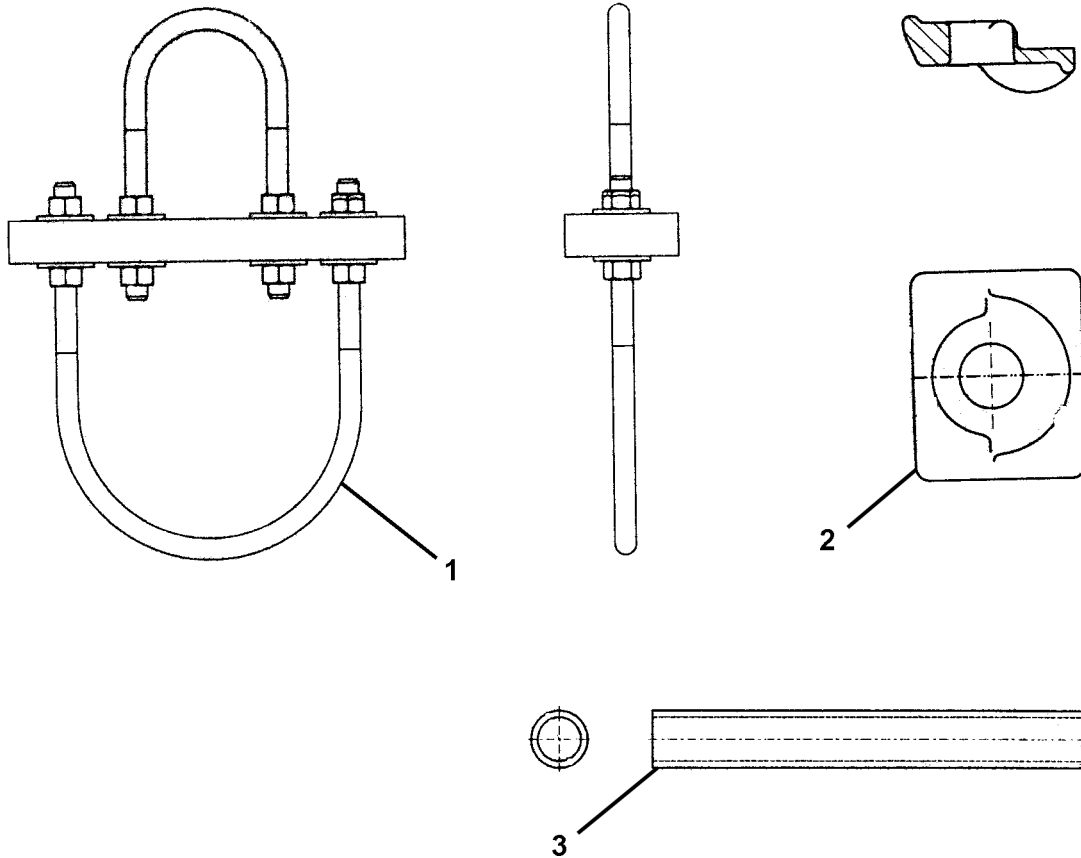
36-AAA24800F



		W/O VINTAGE			
REF. No.	PART No.	DESCRIPTION	Load Limit (lbs.)	Dia. F (in.)	E (in.)
1	AAA386LYL2	Assembly, Eye Bolt, 1.687 in.			
	AAA386LYL1	Assembly, Eye Bolt, 2.125 in.			
2	AAA338BJ3	Clevis Dia. D = 0.250 in., Dim C = 0.875 in.			
	AAA338BJ2	Clevis Dia. D = 0.375 in., Dim C = 1.25 in.			
3	PIN COT1/8X1CP	Cotter Pin 1/8 x 1 in. L (2 required)			
4	56B15	Eye Bolt 3/8-16 Thread, Dim E = 1.687 in., 1300 lb. WLL			
	56B13	Eye Bolt 1/2-13 Thread, Dim E = 2.125 in., 2400 lb. WLL			
5	AAA430FX2	Link, Sling	1600	0.375	2.25
	AAA430FX1	Link, Sling	2900	0.500	3.00
6	430EK4	Link, Trade Size 3/16. E = 1.19 in.			
	430EK3	Link, Trade Size 1/4. E = 1.5 in.			
	430EK2	Link, Trade Size 5/16. E = 1.68 in.			
	430EK1	Link, Trade Size 3/8. E = 2.06 in.			
7	NUT FH3/8-16	Nut, 3/8-16 (4 required)			
8	65C20	U-Bolt, C = 0.375-16, Dim C = 3.13 in.			

Compensation Rope Clamp

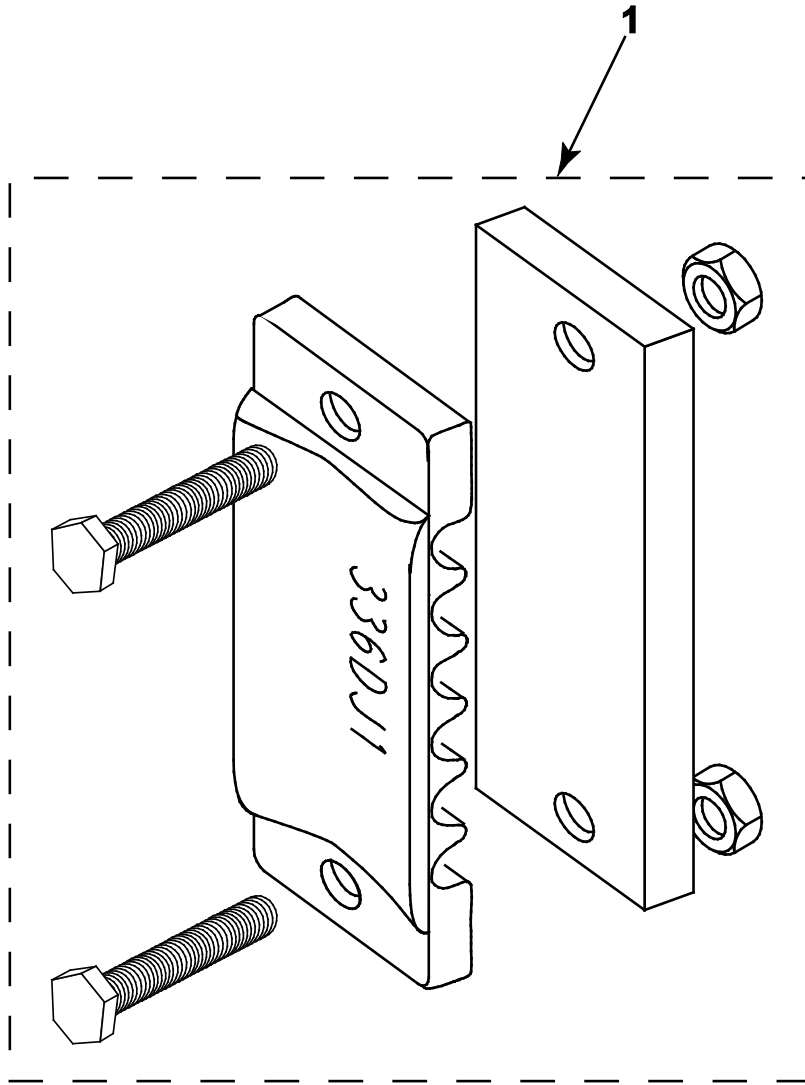
36-AAA24800F



W/O VINTAGE		
REF. No.	PART No.	DESCRIPTION
1	AAA430FP1	Assembly, U-Bolt, 3/8 Thread
2	339E1	Clip, Forge Rail, #2 Rail
3	377T5	Spacer, Pipe, 1 in. Diameter, 2-1/8 in. Long

Compensation Rope Clamp

36-AAA24800F



W/O VINTAGE		
REF. No.	PART No.	DESCRIPTION
1	1F-6055CJ2	Clamp, Compensation Rope, \overline{W} 6 Ropes, 5/8–11/16 Rope \otimes
	1F-6055CJ3	Clamp, Compensation Rope, \overline{W} 6 Ropes, 3/4 Rope \otimes
	1F-6055CJ5	Clamp, Compensation Rope, \overline{W} 6 Ropes, 7/8 Rope \otimes
	1F-6055CJ1	Clamp, Compensation Rope, \overline{W} 7 Ropes, 5/8–11/16 Rope \otimes
	1F-6055CJ4	Clamp, Compensation Rope, \overline{W} 7 Ropes, 3/4 Rope \otimes