

Compensation Chain

Spare Parts Leaflet

36-AAA332BW

May 20, 2014 / Page 1 of 3



OTIS

SERVICE ENGINEERING
Otis Elevator Company
Bloomfield, Connecticut USA

Unpublished Work—© Otis Elevator Co.; 2014

Leaflet Description

This leaflet provides information for compensation chain and associated components. Used in the GMH Global Model high rise products.

Leaflet Revisions

Date Revised	Subject Matter Expert	Reason for Revision
May 20, 2014	Yasuhiro Goto	New SPL

Related Drawings

Drawing No.	Title	Drawing No.	Title
AAA332BW	Compensation chain	DAA22640C	Guide, Roller
AAA332BR	Compensation chain		

Related Documents

Document ID	Title
36-AAA24800F	Chain, Compensation Hitch

Subject Matter Expert

Name	Department
Gary Mendrala	Service Engineering

About Spare Parts Leaflets...

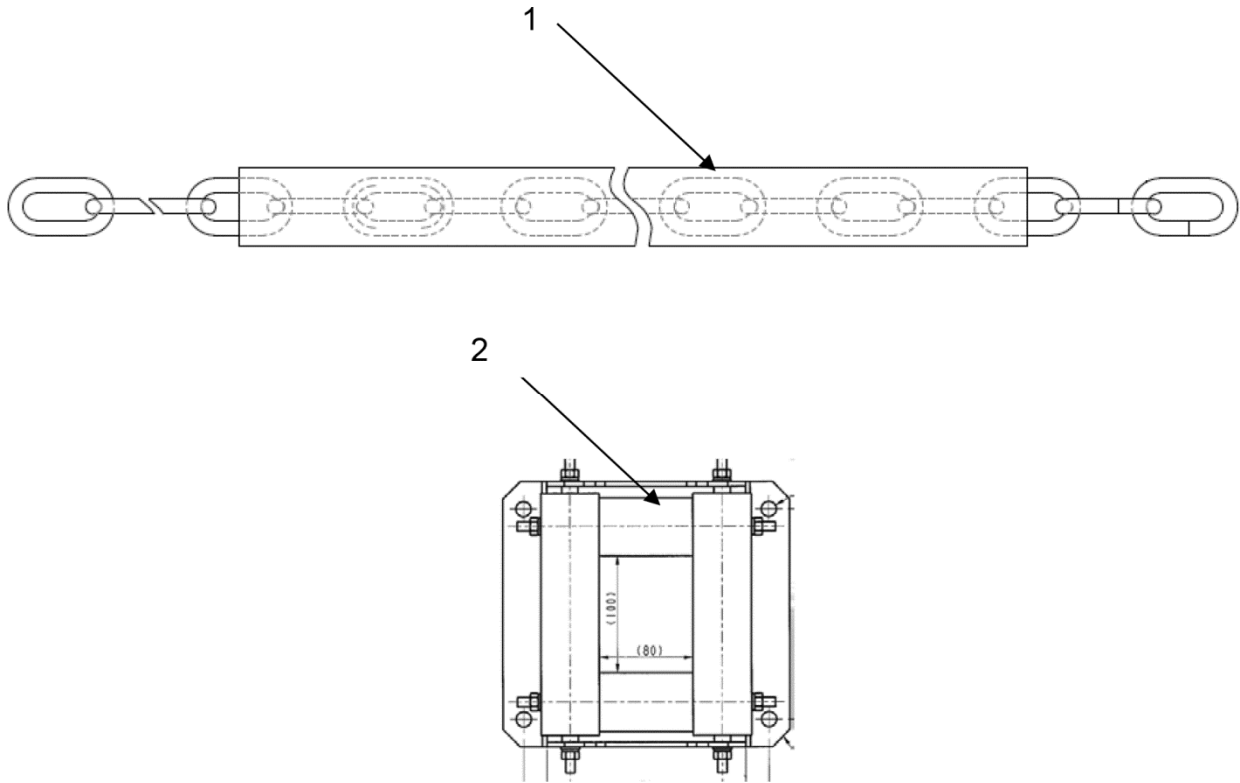
This document lists the lowest replaceable units (LRUs) for the standard version of the product. The LRUs are chosen by a team of Otis associates representing engineering and manufacturing.

While goal of this document is to make parts identification as easy as possible, the document cannot be all-inclusive. Elevator and escalator contracts classified as “special” or “custom” are not addressed here. For such contracts, please refer to specified information, the contract folder, TIPs, Field Education Articles, Construction Letters, etc. for further information.

If you have any suggestions about this document, please contact the subject matter expert listed on this page.

Compensation Chain

36-AAA332BW



VINTAGE			
REF. No.	PART No.	DESCRIPTION	WEIGHT
1	AAA332BW11	Whisperflex	1.5 Kg / M (1 lb / ft.)
	AAA332BW12		2.2 Kg / M (1.5 lb / ft.)
	AAA332BW13		3.0 Kg / M (2.0 lb / ft.)
	AAA332BW14		3.7 Kg / M (2.5 lb / ft.)
	AAA332BW15		4.5 Kg / M (3.0 lb / ft.)
2	DAA22640C1	Guide, Roller	