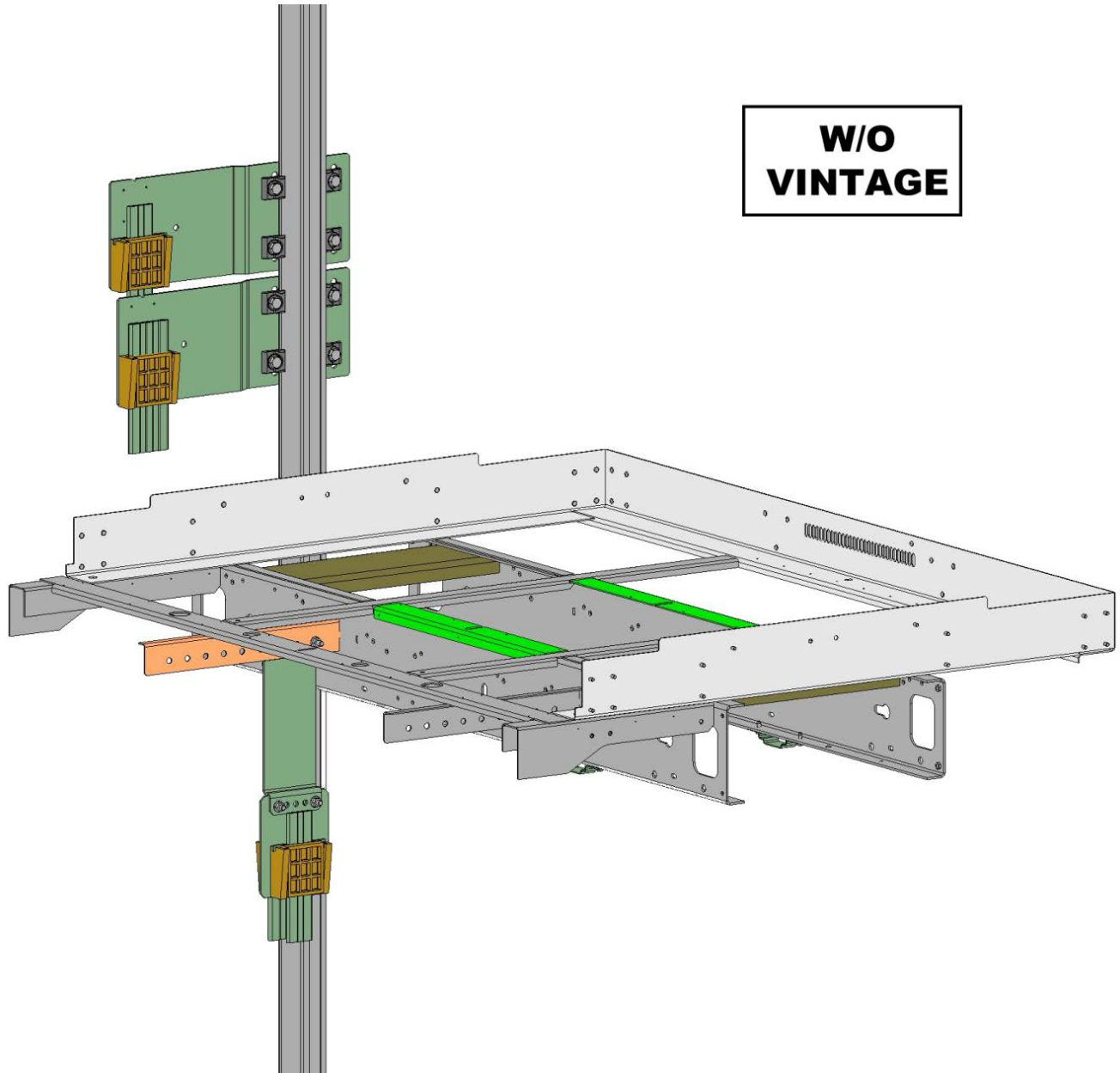


Flat Traveling Cable and Related Parts

Spare Parts Leaflet

38-AAA25500BD

May 24, 2017 / Page 1 of 4



OTIS

This document does not contain any technical
data subject to EAR or ITAR

SERVICE ENGINEERING
Otis Elevator Company
Bloomfield, Connecticut USA

Unpublished Work—© Otis Elevator Co.; 2017

Leaflet Description

This is the parent SPL for flat traveling cable and related parts.

Leaflet Revisions

Date Revised	Subject Matter Expert	Reason for Revision
August 3, 2011	Gary Mendrala	New SPL
July 3, 2013	Gary Mendrala	Added Baluns transformer on p. 3
May 24, 2017	Gary Mendrala	Added p/n AAA283CGC1 on p. 4

Related Drawings

Drawing No.	Title	Drawing No.	Title
AAA174ANT	Traveling Cable	AAA25500BD	Traveling Cable Arrangement GCS Controller

Related Documents

Document ID	Title
SPL 38-AAA174ANT	Flat Traveling Cable
SWP N-1.1.18.0-20	Gen2 Flat Traveling Cables

Subject Matter Expert

Name	Department
Gary Mendrala	OSC Service Engineering

About Spare Parts Leaflets...

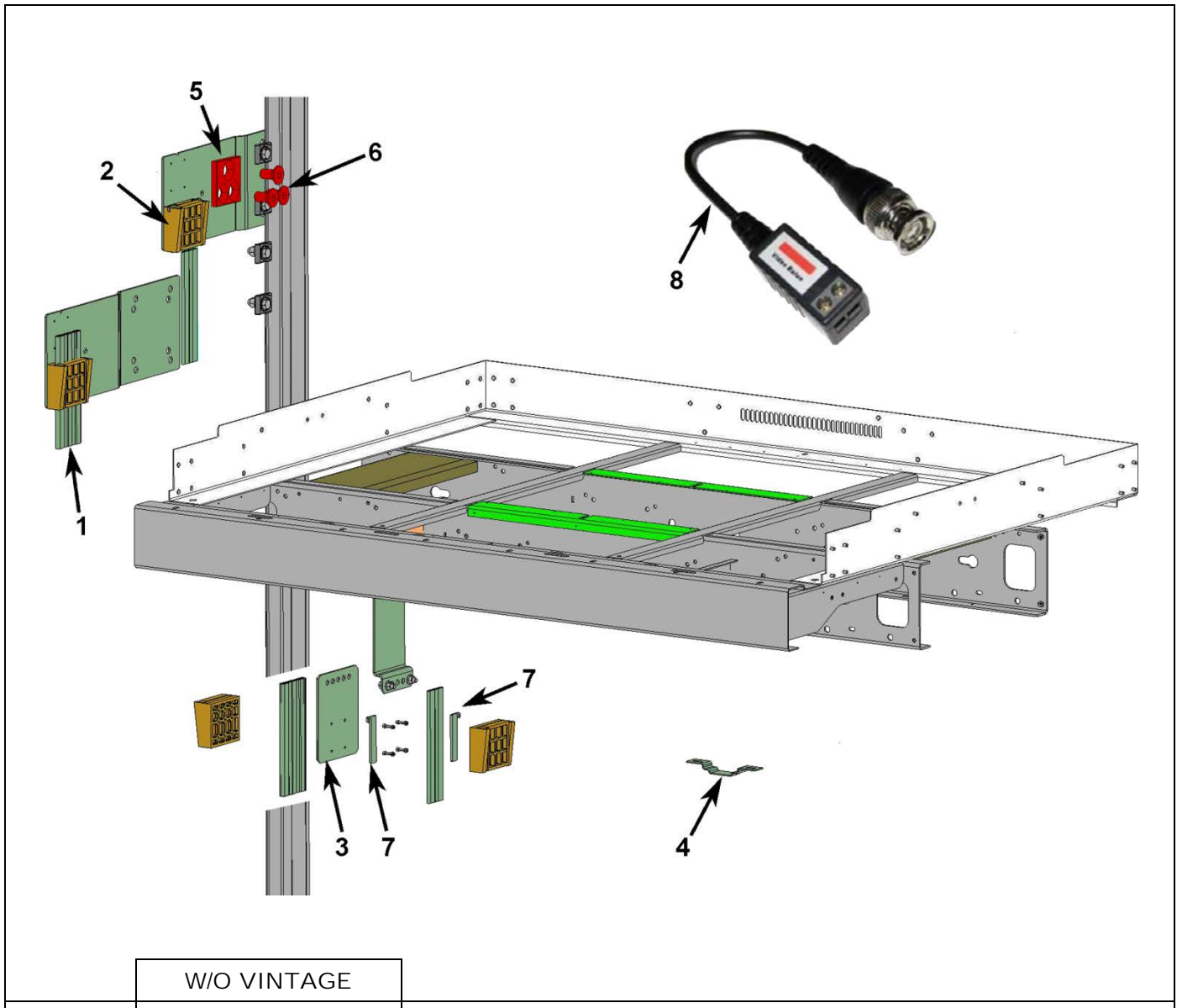
This document lists the lowest replaceable units (LRUs) for the standard version of the product. The LRUs are chosen by a team of Otis associates representing engineering and manufacturing.

While goal of this document is to make parts identification as easy as possible, the document cannot be all-inclusive. Elevator and escalator contracts classified as "special" or "custom" are not addressed here. For such contracts, please refer to specified information, the contract folder, TIPS, Field Education Articles, Construction Letters, etc. for further information.

If you have any suggestions about this document, please contact the subject matter expert listed on this page.

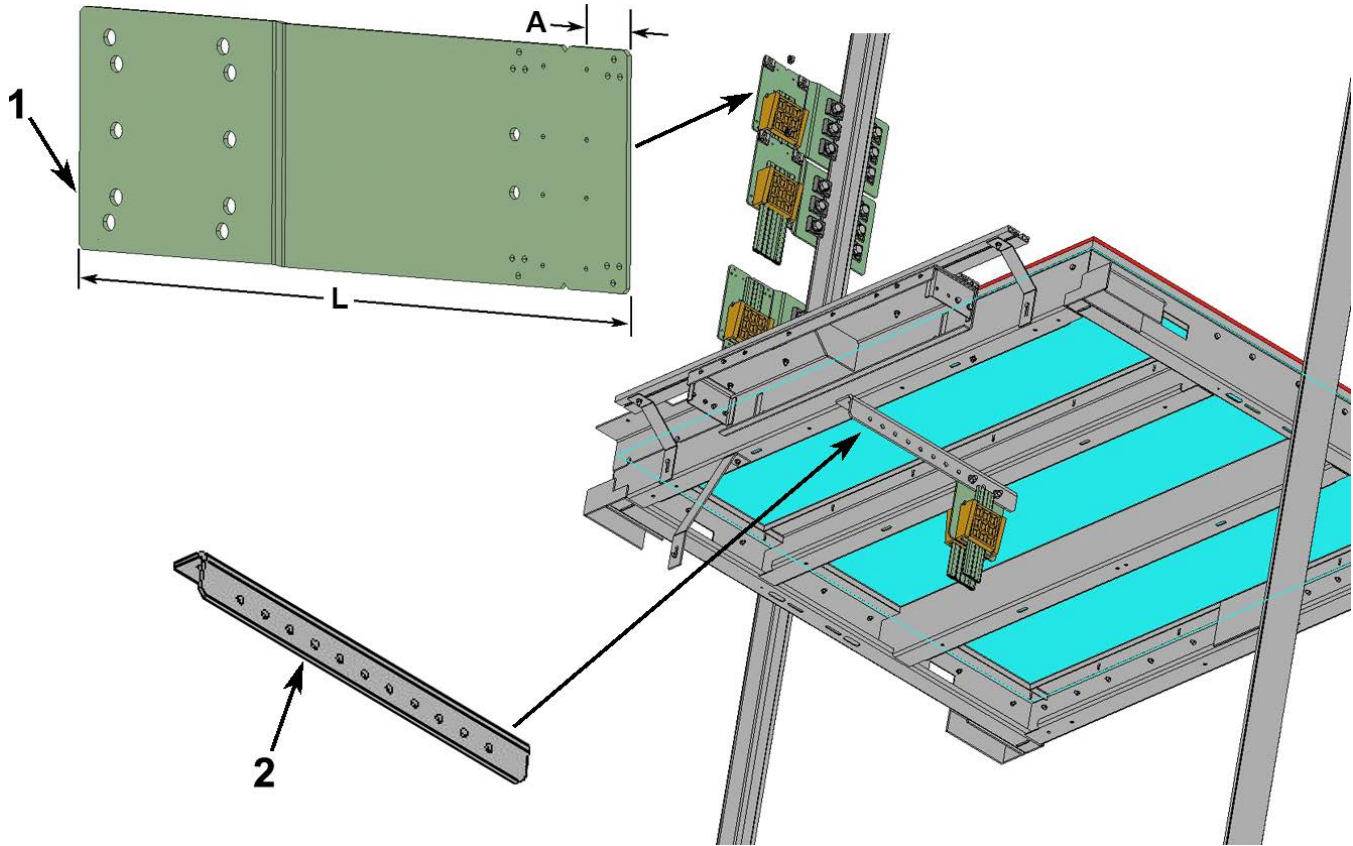
Traveling Cable Parts

38-AAA25500BD



REF No.	W/O VINTAGE PART No.	DESCRIPTION
1	---	Assembly, Flat Traveling Cable SPL 38-AAA174ANT
2	AAA389CX3	Assembly, Wedge
3	AAA316HYL1	Bracket, Adapter
4	AAA316HZV1	Bracket, Cable (Gen2 only)
5	386AKS1	Plate, Pressure (for Steel Cable) w/Gen2 + >200 ft. Rise
6	ISO10642M8X16-10.9D	Screw, Flat Hex Head, M8 X 16 for Ref. No 5
7	AAA255PM1	Shim (traveling cable centering)
8	COMMABL-1P02-C	Transformer, Baluns (sold individually)

NOTE: Baluns transformers convert CAT5 video signal to twisted pair. One Baluns is required on each end of traveling cable.



W/O VINTAGE					
REF No.	PART No.	DESCRIPTION	PRODUCT and DUTY (lb)	L (mm)	A (mm)
1	AAA316HYK1	Plate, Clamp	Gen2L, 2100,2500	569	36
	AAA316HYK2		Gen2L, 3000	644	36
	AAA316HYK3		Gen2L, 3500, 4000	745	36
	AAA316HYK4		Gen2 ED, 2500	482	55.5
	AAA316HYK5		Gen2 ED, 3000, 3500, 4000, 5000	573	55.5
2	ABA283AWA1 AAA283CGC1	Car Bracket (Gen2 only)			