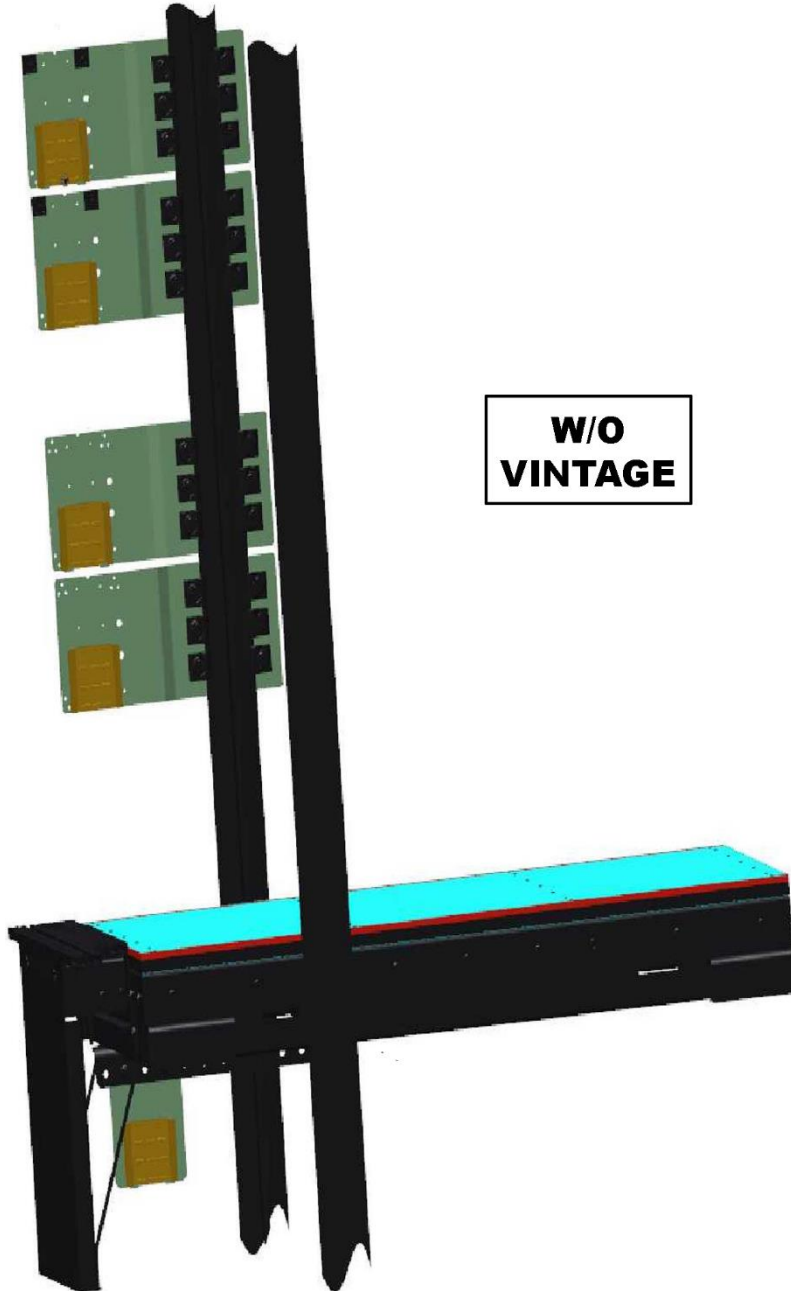


**Flat Traveling Cable
and Related Parts
Gen2® Overslung**

Spare Parts Leaflet

38-AAA25500BT

October 5, 2022 / Page 1 of 4



**W/O
VINTAGE**

OTIS

This document does not contain any technical
data subject to EAR or ITAR

**SERVICE ENGINEERING
Otis Elevator Company
Bloomfield, Connecticut USA**

Unpublished Work—© Otis Elevator Co.; 2022

Leaflet Description

This SPL is for flat traveling cable and related parts for Gen2® Overslung.

Leaflet Revisions

Date Revised	Subject Matter Expert	Reason for Revision
August 22, 2018	Priyank Mehta and Gary Mendrala	New SPL
October 5, 2002	Juan Murillo	Added new car hanger bracket

Related Drawings

Drawing No.	Title	Drawing No.	Title
AAA174ANT	Traveling Cable	AAA25500BT	Flat Traveling Cable Bracket Arrangement, G2O

Related Documents

Document ID	Title
SPL 38-AAA174ANT	<i>Flat Traveling Cable</i>
SWP N-1.1.18.0-20	<i>Gen2 Flat Traveling Cables</i>

Subject Matter Expert

Name	Department
Gary Mendrala	OSC Service Engineering

About Spare Parts Leaflets...

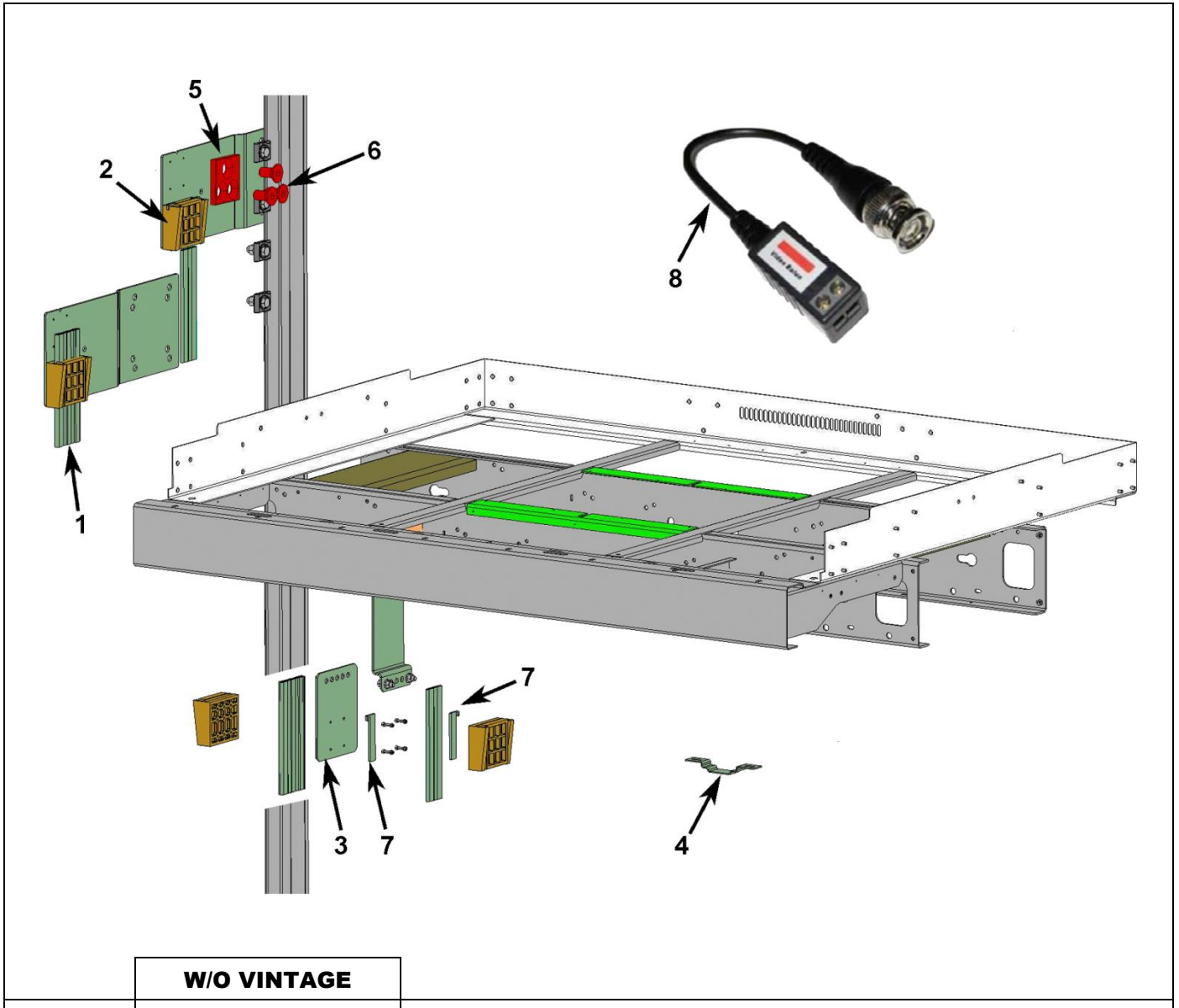
This document lists the lowest replaceable units (LRUs) for the standard version of the product. The LRUs are chosen by a team of Otis associates representing engineering and manufacturing.


While goal of this document is to make parts identification as easy as possible, the document cannot be all-inclusive. Elevator and escalator contracts classified as “special” or “custom” are not addressed here. For such contracts, please refer to specified information, the contract folder, TIPs, Field Education Articles, Construction Letters, etc. for further information.

If you have any suggestions about this document, please contact the subject matter expert listed on this page.

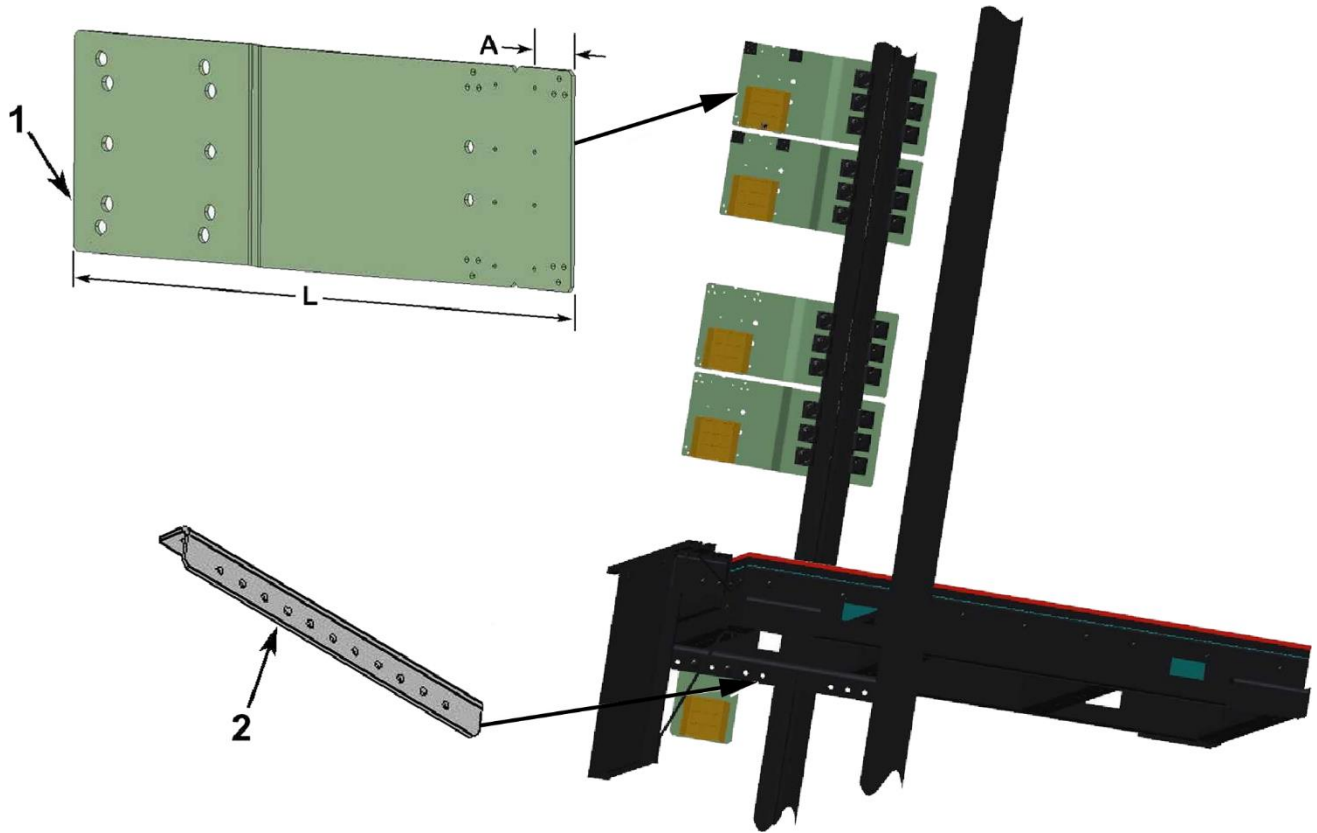
Traveling Cable Parts

38-AAA25500BT



W/O VINTAGE		
REF No.	PART No.	DESCRIPTION
1	---	Assembly, Flat Traveling Cable  SPL 38-AAA174ANT
2	AAA389CX3	Assembly, Wedge
3	AAA316HYL1	Bracket, Adapter
4	AAA316HZG1	Bracket, Cable (Gen2 only)
5	386AKS1	Plate, Pressure (for Steel Cable) w/Gen2 + >200 ft. Rise
6	ISO10642M8X16-10.9D	Screw, Flat Hex Head, M8 X 16 for Ref. No 5
7	AAA255PM1	Shim (traveling cable centering)
8	COMMABL-1P02-C	Transformer, Baluns (sold individually)

NOTE: Baluns transformers convert CAT5 video signal to twisted pair. One Baluns is required on each end of traveling cable.



W/O VINTAGE					
REF No.	PART No.	DESCRIPTION	PRODUCT and DUTY (lb)	L (mm)	A (mm)
1	AAA316HYK4	Plate, Clamp	G2O, 2500	482	55.5
	AAA316HYK5		G2O, 4000H, 5000H, 5000AA	573	55.5
2	AAA283CGC1 AAA283CGC2	Car Bracket (Gen2 only)			