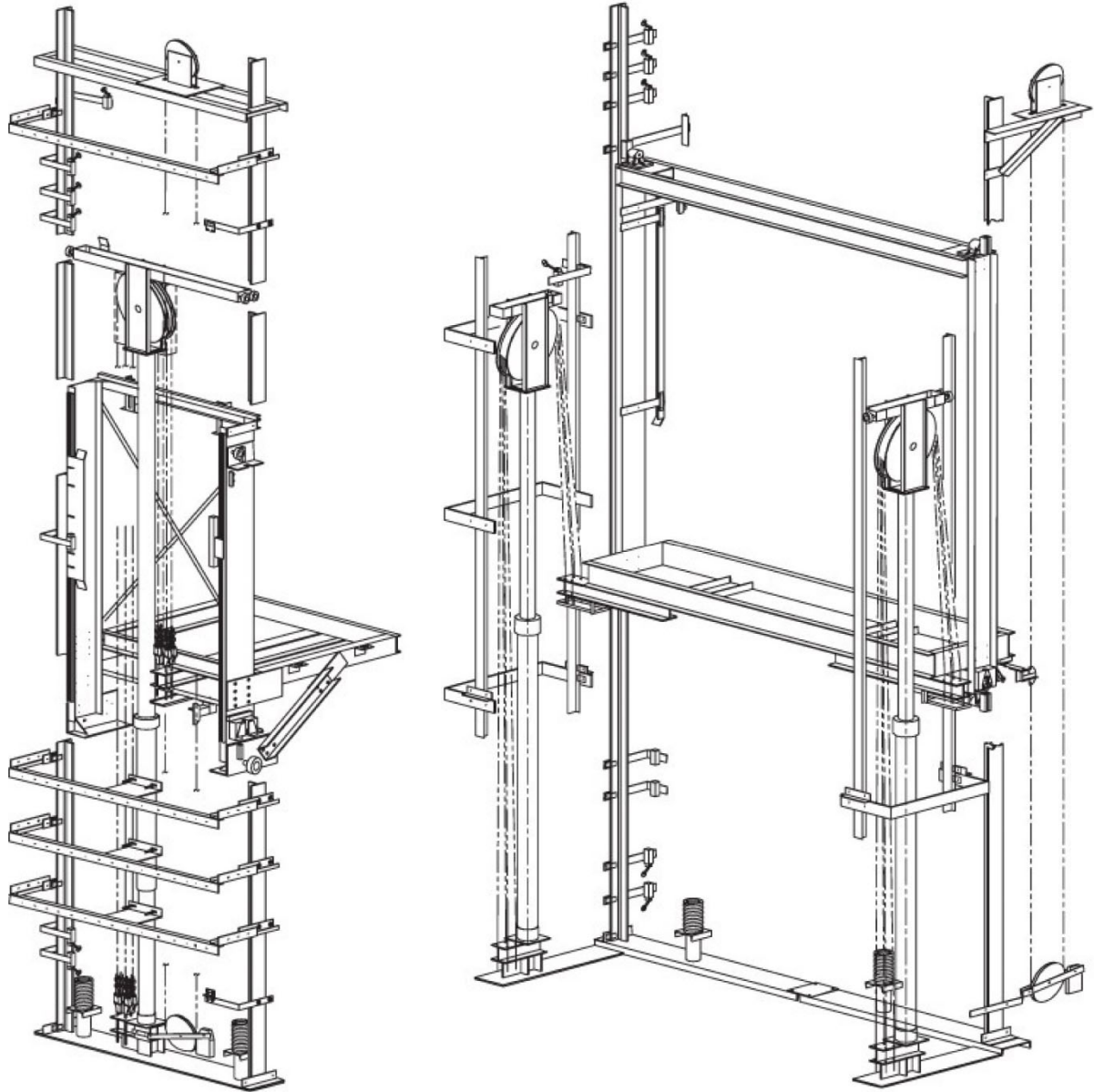


CEMCO Elevator Products

Spare Parts Leaflet

40-CEMCO

September 30, 2020 / Page 1 of 21



OTIS

This document does not contain any technical data subject to EAR or ITAR

SERVICE ENGINEERING
Otis Elevator Company
Bloomfield, Connecticut USA

Unpublished Work—© Otis Elevator Co.; 2020

Leaflet Description

CEMCO, or CEMCOLift was an elevator manufacturer acquired by Otis in 1999. The operation was closed permanently in 2012. This leaflet provides information for all recognized CEMCO design/sourced replacement components across all product lines. This includes residential and commercial roped and hydraulic elevator systems as well as escalators.

Leaflet Revisions

Date Revised	Subject Matter Expert	Reason for Revision
September 30, 2020	Troy Chicoine	New SPL

Related Drawings

Drawing No.	Title	Drawing No.	Title
---	---	---	---
---	---	---	---

Related Documents

Document ID	Title
---	---

Subject Matter Expert

Name	Department
Troy Chicoine	Mechanical Service Engineering/OSC

About Spare Parts Leaflets...

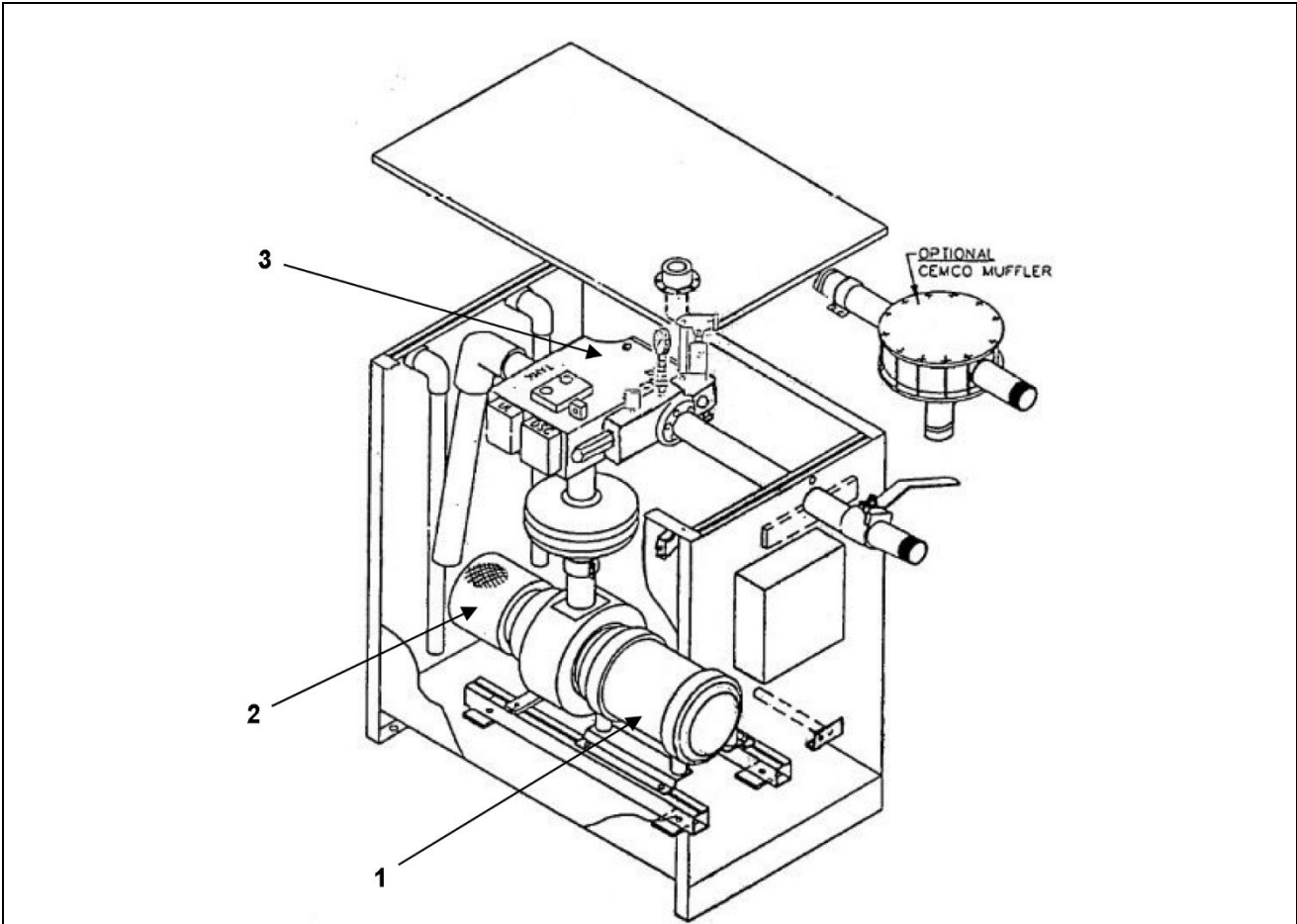
This document lists the lowest replaceable units (LRUs) for the standard version of the product. The LRUs are chosen by a team of Otis associates representing engineering and manufacturing.

While goal of this document is to make parts identification as easy as possible, the document cannot be all-inclusive. Elevator and escalator contracts classified as "special" or "custom" are not addressed here. For such contracts, please refer to specified information, the contract folder, TIPs, Field Education Articles, Construction Letters, etc. for further information.

If you have any suggestions about this document, please contact the subject matter expert listed on this page.

Hydraulic Power Unit LGIS - Under Oil

40-CEMCO



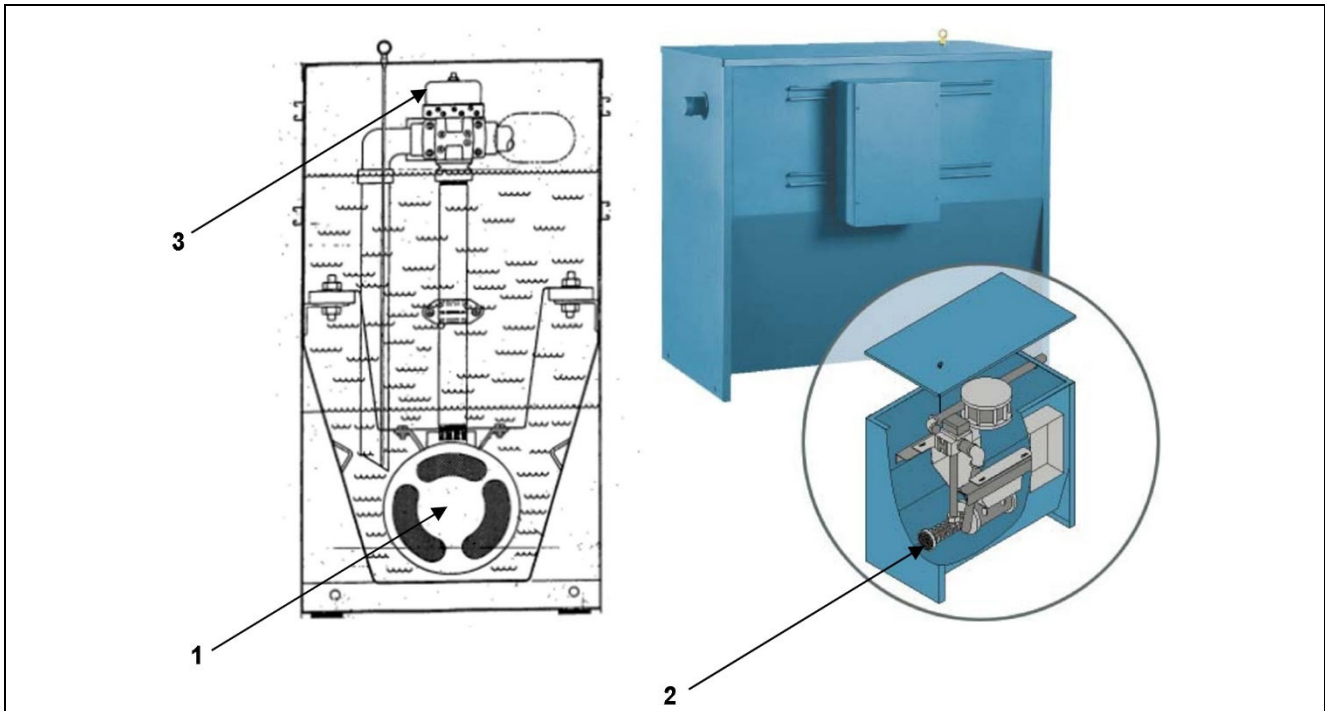
REF. No.	VINTAGE PART No.	DESCRIPTION
1	---	Motor, See NOTE 2
2	6962Y26	Pump, 60 GPM
	6962Y27	Pump, 78 GPM
	6962Y21	Pump, 94 GPM
	6962Y22	Pump, 120 GPM
	6962Y23	Pump, 147 GPM
	6962Y16	Pump, 150 GPM
	6962Y24	Pump, 168 GPM
3	6962Y14	Pump, 170 GPM
	GMC0CV-500	Valve, CEMCO CV-500 (Obsolete)

NOTE 1: Models: U01, U02, U03, U04

NOTE 2: Contact Customer Service with Machine Number, and all motor data plate information.

Hydraulic Power Unit

#5 & #6 Under Oil

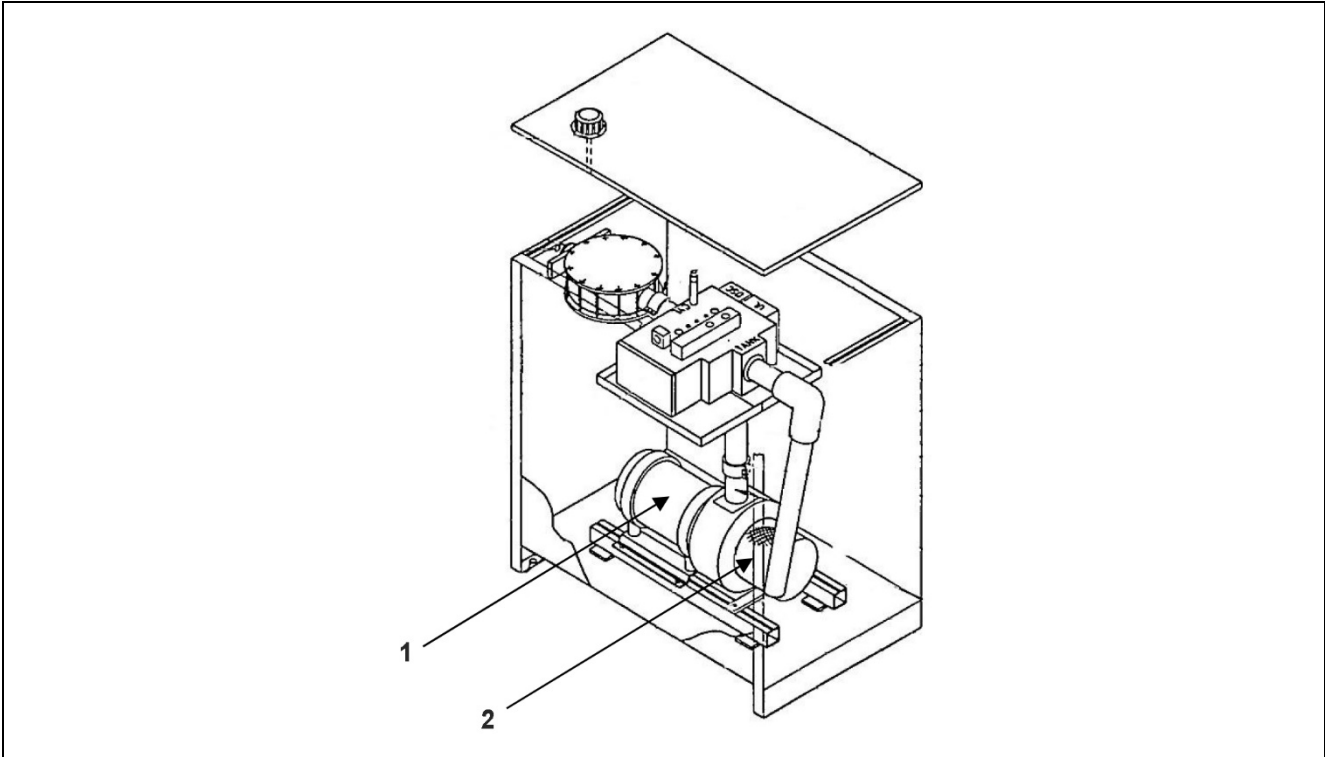


	VINTAGE	
REF. No.	PART No.	DESCRIPTION
1	CMC0EN9 6333DD5	Motor, 20HP, 200 VAC
	CMC0ENC 6333DD9	Motor, 25HP, 200 VAC
	CMC0ENE 6333DD23	Motor, 25HP, 230/460 VAC
	CMC0ENG 6333DD13	Motor, 30HP, 200 VAC
	CMC0ENJ 6333DD17	Motor, 40HP, 200 VAC
	CMC0ENK 6333DD25	Motor, 40HP, 230/460 VAC
	CMC0ENZ 6333DD27	Motor, 50HP, 230/460 VAC
2	CMC0PR94	Pump, 215 GPM
3	CMC0PV3 EEC0-UV5A-1"	Valve, 1 in.
	CMC0CV-500	Valve, CEMCO CV-500 (Obsolete)

Hydraulic Power Unit

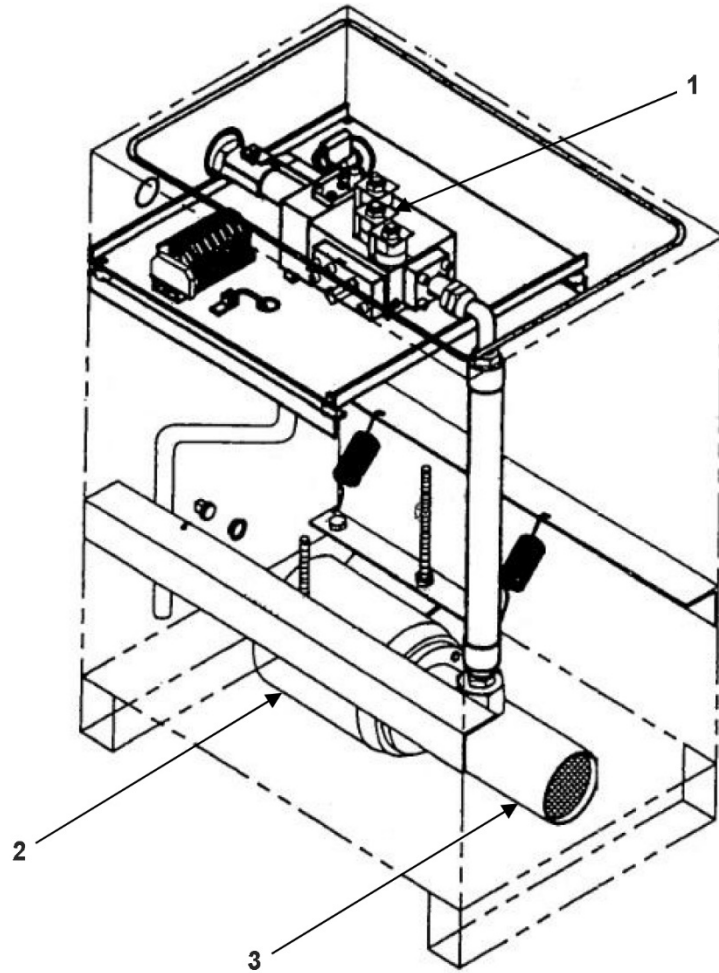
Series CM Under Oil

40-CEMCO



	VINTAGE	
REF. No.	PART No.	DESCRIPTION
1	CMC0EN9 6333DD5	Motor, 20HP, 200 VAC
	CMC0ENG 6333DD9	Motor, 25HP, 200 VAC
	GMC0ENE 6333DD23	Motor, 25HP, 230/460 VAC
	CMC0ENG 6333DD13	Motor, 30HP, 200 VAC
	CMC0ENJ 6333DD17	Motor, 40HP, 200 VAC
	GMC0ENK 6333DD25	Motor, 40HP, 230/460 VAC
	CMC0ENZ 6333DD27	Motor, 50HP, 230/460 VAC
2	6962Y26	Pump, 59 GPM
	6962Y2	Pump, 76 GPM
	6962Y16	Pump, 152 GPM

**Hydraulic Power Unit
Residential Under Oil**



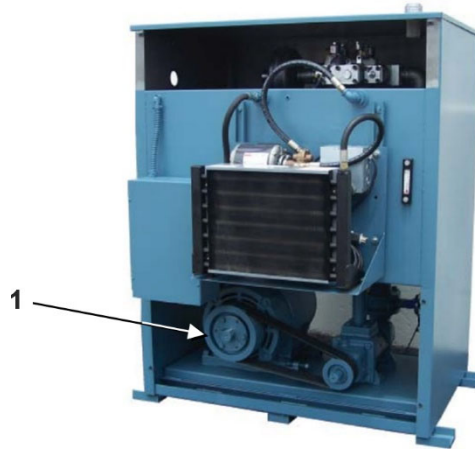
REF. No.	VINTAGE PART No.	DESCRIPTION
1	CMC0RV2412	Coil, 110VAC/12VDC, RV-100 Valve
*	CMC0RV-1208	Flapper, Valve, Compensator
2	CMC0RL1-2199-4	Motor, 3HP, 208VAC, 3PH
	CMC0RL1-2199-7	Motor, 3HP, 220VAC, 1PH
	CMC0RL1-2199-2	Motor, 5HP, 220VAC, 1PH
	CMC0RL1-2199-3	Motor, 10HP, 208/230VAC, 1PH
	CMC0RL1-2199-6	Motor, 10HP, 208/230/460VAC, 3PH
3	CMC0RL1-2205-1	Pump, 6.2 GPM
*	CMC0RV-1207	Retainer, Compensator
*	CMC0RL1-2157-1	Switch, Pressure, SPDT

* Part not shown.

Hydraulic Power Unit

40-CEMCO

Dry Mount



REF. No.	VINTAGE PART No.	DESCRIPTION
1	CMC0EMD1	Motor, 20HP, 230/460 VAC, 120 Starts/hr, 256T Frame
	CMC0EMF 6333BC19	Motor, 25HP, 200 VAC, 80 Starts/hr, 256T Frame
	CMC0EMI 6333BC22	Motor, 30HP, 200 VAC, 80 Starts/hr, 284T Frame
	CMC0EMI1	Motor, 30HP, 200 VAC, 1200 Starts/hr, 286T Frame
	CMC0EMJ 6333BC23	Motor, 30HP, 230/460 VAC, 80 Starts/hr, 284T Frame
	CMC0EMJ1	Motor, 30HP, 230/460 VAC, 120 Starts/hr, 286T Frame
	CMC0EML1	Motor, 40HP, 200VAC, 120 Starts/hr, 324T Frame
	CMC0EMM 6333BC26	Motor, 40HP, 230/460 VAC, 80 Starts/hr, 286T Frame
	CMC0EMM1	Motor, 40HP, 230/460 VAC, 120 Starts/hr, 324T Frame
	CMC0EMQ1	Motor, 50HP, 230/460 VAC, 120 Starts/hr, 326T Frame
	CMC0CL-12203	Motor, 60HP, 200VAC, 120 Starts/hr, 364T Frame
	CMC0EMT	Motor, 60HP, 230/460 VAC, 80 Starts/hr, 326T Frame
	CMC0EMT1	Motor, 60HP, 230/460 VAC, 120 Starts/hr, 364T Frame
	CMC0EMW 6333BC35	Motor, 75HP, 230/460 VAC, 80 Starts/hr, 364T Frame
	CMC0EMY	Motor, 75HP, 230/460 VAC, 120 Starts/hr, 365T Frame
	CMC0ENL	Motor, 100HP, 230/460 VAC, 80 Starts/hr, 365T Frame
CMC0ENM	Motor, 100HP, 575 VAC, 80 Starts/hr, 365T Frame	

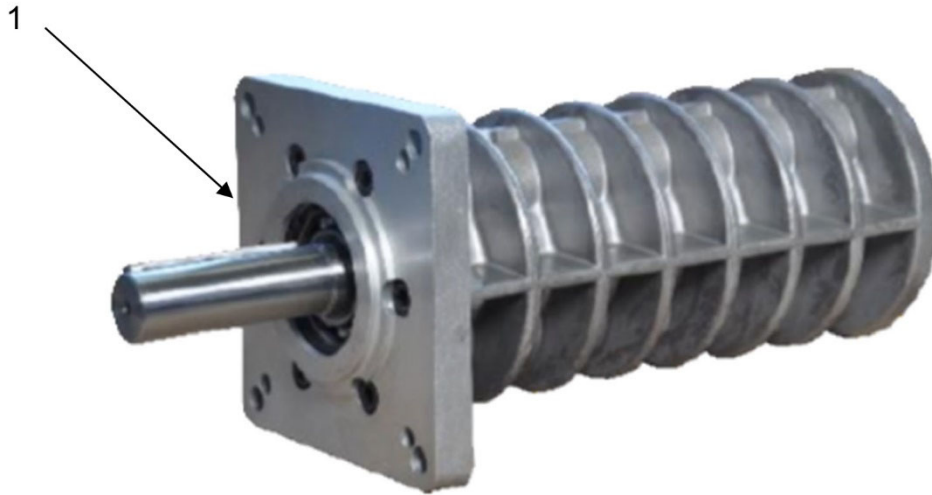
Hydraulic Power Unit Dry Mount



REF. No.	VINTAGE PART No.	DESCRIPTION
1	CMCOPPA 6962T1	Pump, G3D-187
	CMCOPPE	Pump, AG3D-275
	CMCOPPF 6926AM4	Pump, AG3D-312
2	CMCOPV9 271AP7	Valve, Maxton UC-4M (STD), All Ports 2 in. NPT



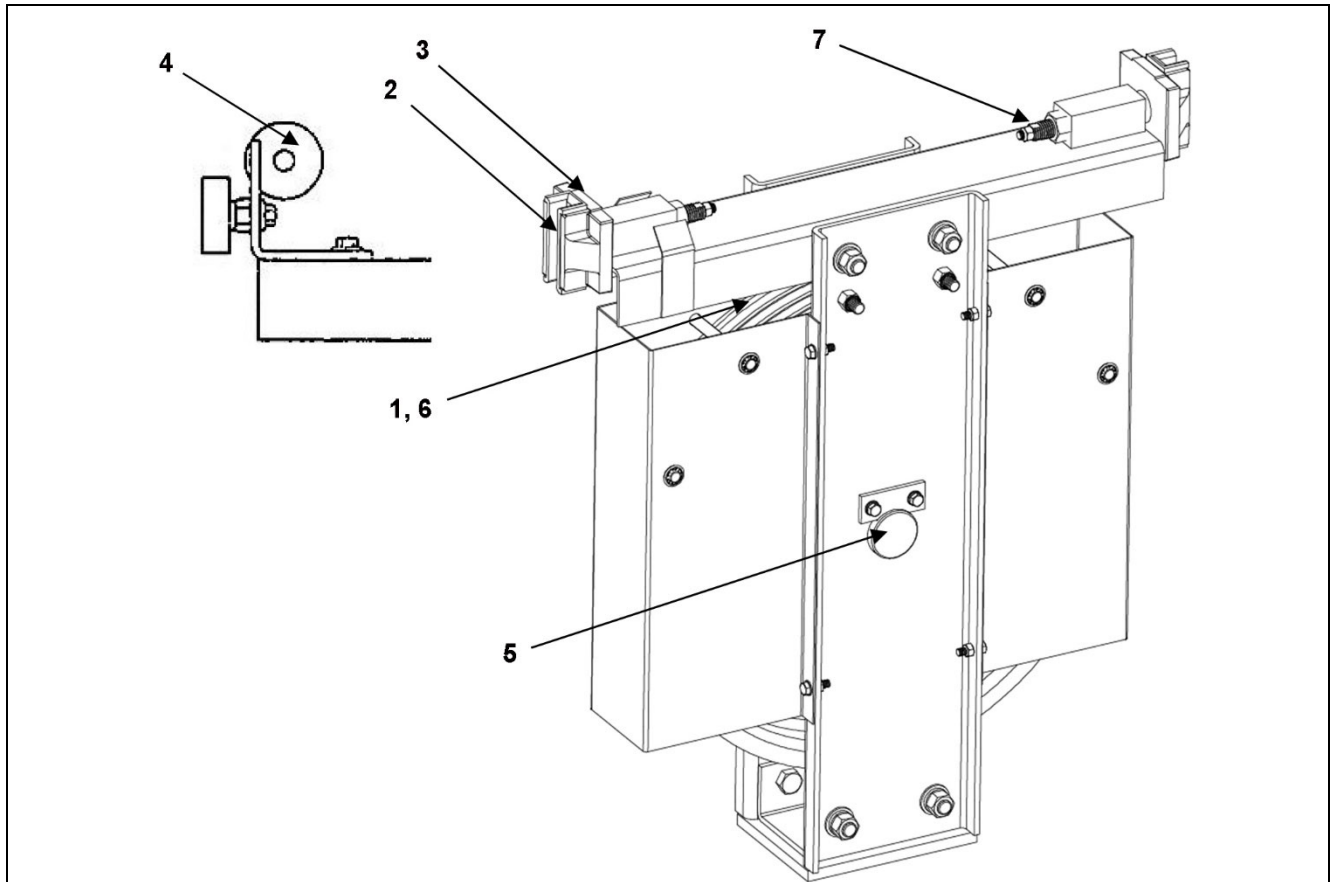
REF. No.	VINTAGE PART No.	DESCRIPTION
1	CMCOCL-12615	Pump, Dry, SMTU GR45 180L
	CMCOCL-12616	Pump, Dry, SMTU GR45 210L
	CMCOCL-12617	Pump, Dry, SMTU GR55 250L
	CMCOCL-12618	Pump, Dry, SMTU GR55 300L
	CMCOCL-12619	Pump, Dry, SMTU GR55 330L
	CMCOCL-12620	Pump, Dry, SMTU GR55 380L
	CMCOCL-12622 COMMPPMPD60500L	Pump, Dry, SMTU GR60 500L
	CMCOCL-12813	Pump, Dry, SMTU GR70 560L
	CMCOCL-12805	Pump, Dry, SMTU GR70 600L
	CMCOCL-12806	Pump, Dry, SMTU GR70 660L
	CMCOCL-12808	Pump, Dry, SMTU GR80 1000L



	VINTAGE	
REF. No.	PART No.	DESCRIPTION
1	CMC0CL-12664	Pump, GR40 SMU 125L
	CMC0CL-12665	Pump, GR40 SMU 150L
	CMC0CL-12666	Pump, GR40 SMU 180L
	CMC0CL-12667	Pump, GR40 SMU 210L
	CMC0CL-12668	Pump, GR40 SMU 250L
	CMC0CL-12669	Pump, GR40 SMU 270L
	CMC0CL-12670	Pump, GR40 SMU 300L
	CMC0CL-12671	Pump, GR40 SMU 330L
	CMC0CL-12672	Pump, GR40 SMU 380L
	CMC0CL-12673	Pump, GR40 SMU 440L
	CMC0CL-12676	Pump, GR40 SMU 600L
	CMC0CL-12677	Pump, GR40 SMU 800L

Rams Head Assembly

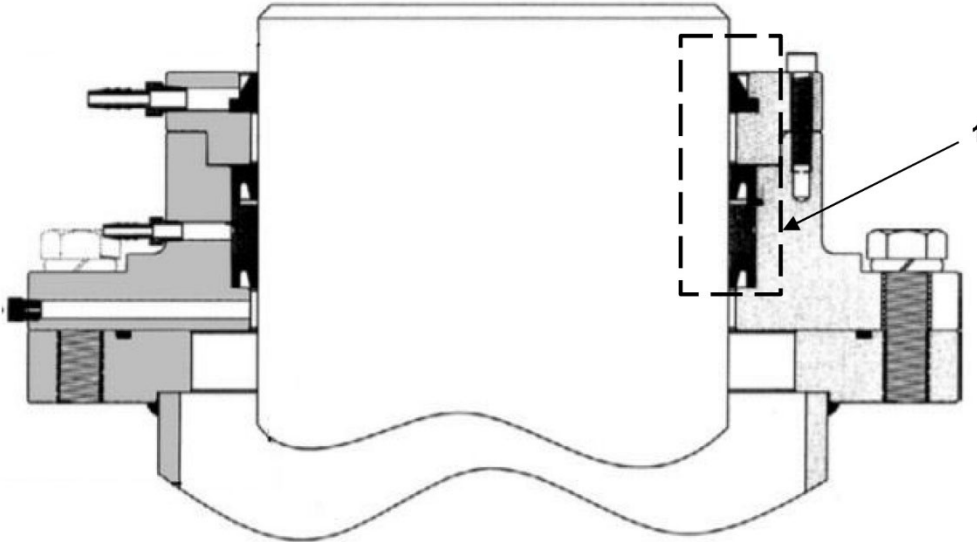
40-CEMCO



VINTAGE		
REF. No.	PART No.	DESCRIPTION
1	CMC0CM-9022-4	Assembly, Sheave, 22 in., (4) 1/2 in. Grooves with Bearings and Shaft
*	GMC0CM-2726 207Z85	Bearing
2	GM-2560 AAA380CJ2	Gib, Guide Insert
3	GMC0CM-2630 AAA237CS1	Guide Shoe, Swivel
4	GMC0CM9143 CMC0CM-9143	Roller, 2.37 in. Diameter
5	CMC0CRS-2040-A	Shaft
6	CMC0CM-2090-2	Sheave, 22 in., (4) 1/2 in. Grooves
	GM2585-2 AAA265DV1	Sheave, 16 in, (4) 1/2 in. Grooves
7	GM-2727 AAA90EU1	Spring

* Part not shown.

**Plunger / Cylinder Packing
Flanged Head**

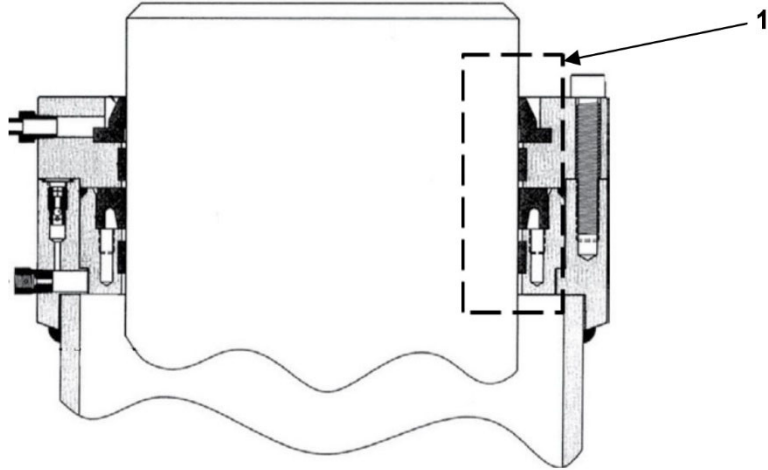


REF. No.	VINTAGE PART No.	DESCRIPTION
1	GMC0J0B TEXA9EA019-03	Packing Set, 4 in. Plunger Diameter
	GMC0JKK TEXA9EA019-15	Packing Set, 7-1/2 in. Plunger Diameter
	GMC0JJY TEXA9EA019-10	Packing Set, 8-1/2 in. Plunger Diameter
	GMC0JKD TEXA9EA019-17	Packing Set, 9 in. Plunger Diameter
	GMC0JKE TEXA9EA019-18	Packing Set, 9-1/2 in. Plunger Diameter
	GMC0JKG TEXA9EA019-21	Packing Set, 10-5/8 in. Plunger Diameter
	GMC0JKI TEXA9EA019-23	Packing Set, 12-5/8 in. Plunger Diameter
	GMC0JKI1 G0RM08-16-F13875-E00ZZ	Packing Set, 13-7/8 in. Plunger Diameter
	GMC0JKI2 G0RM08-16-F15875-E00ZZ	Packing Set, 15-7/8 in. Plunger Diameter

Plunger / Cylinder Packing

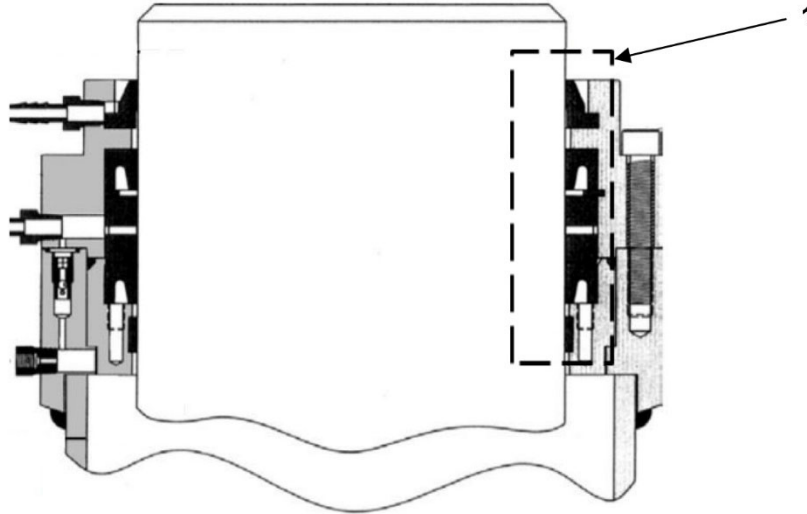
Welded Head, Single Seal

40-CEMCO



VINTAGE		
REF. No.	PART No.	DESCRIPTION
1	CMC0JK11701	Packing Set, 1-7/8 in. Plunger Diameter
	CMC0JK-11703 TEXA9EA106-08	Packing Set, 2-3/4 in. Plunger Diameter
	CMC0JK-11704 TEXA9EA106-01	Packing Set, 3-1/2 in. Plunger Diameter
	CMC0JK-11705 TEXA9EA106-02	Packing Set, 100 mm (3.94 in.) Plunger Diameter
	CMC0JK-11707 TEXA9EA106-03	Packing Set, 4-1/2 in. Plunger Diameter
	CMC0JK-11708 TEXA9EA106-07	Packing Set, 120 mm (4.72 in.) Plunger Diameter
	CMC0JK-11709 TEXA9EA106-04	Packing Set, 5 in. Plunger Diameter
	CMC0JK-11710 TEXA9EA106-05	Packing Set, 5-1/2 in. Plunger Diameter
	CMC0JK11711 TEXA9EA106-09	Packing Set, 6 in. Plunger Diameter
	CMC0JK-11712 TEXA9EA106-06	Packing Set, 6-1/2 in. Plunger Diameter
	CMC0JK11713	Packing Set, 7 in. Plunger Diameter
	CMC0JK11714 TEXA9EA106-11	Packing Set, 7-1/2 in. Plunger Diameter

**Plunger / Cylinder Packing
Welded Head, 2 Seals**

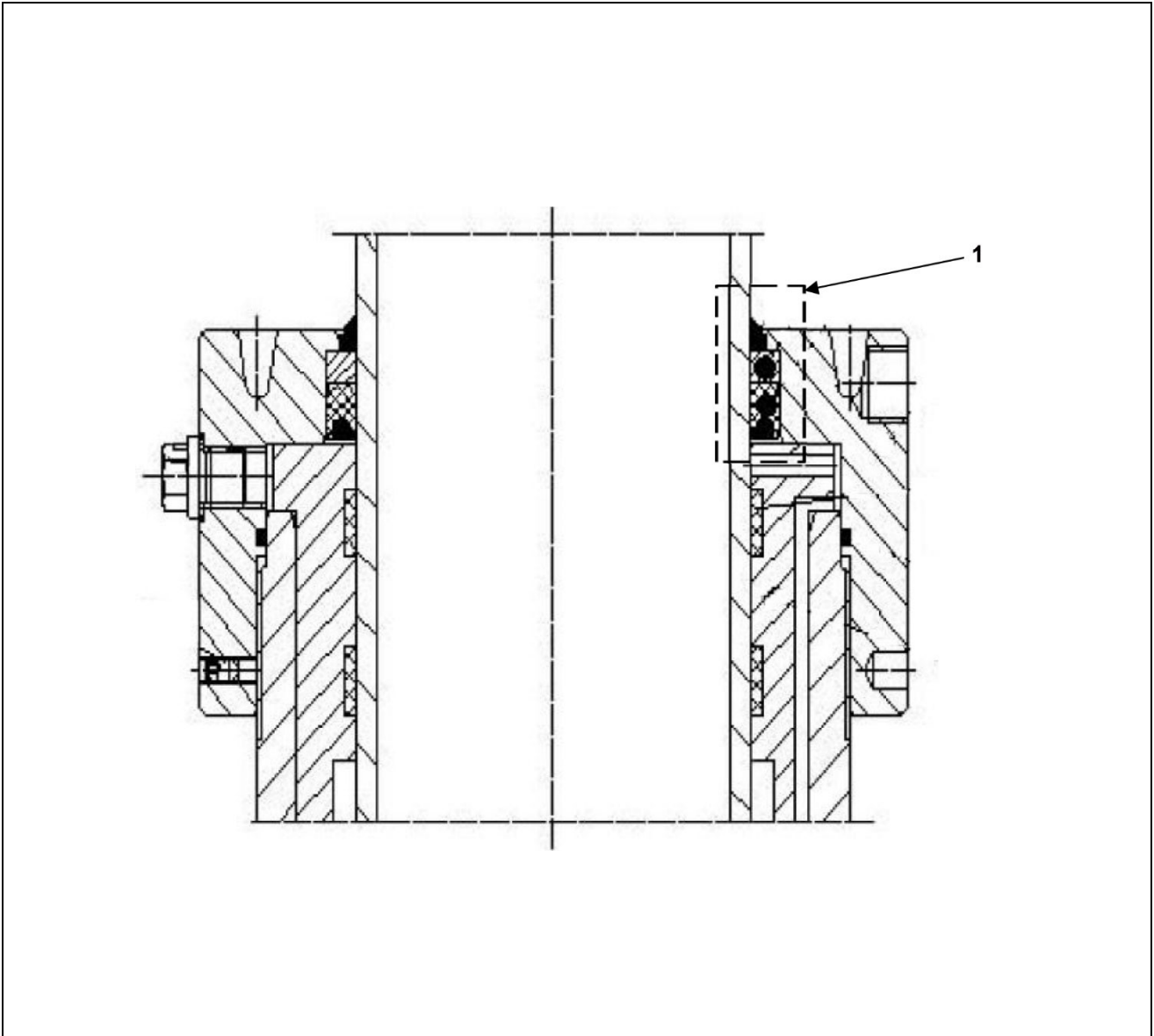


VINTAGE		
REF. No.	PART No.	DESCRIPTION
1	GMC0JK-11722 TEXA9EA126-02	Packing Set, 4-1/2 in. Plunger Diameter
	GMC0JK11723 TEXA9EA126-03	Packing Set, 5 in. Plunger Diameter
	GMC0JK11724 TEXA9EA126-04	Packing Set, 5-1/2 in. Plunger Diameter
	GMC0JK11725 TEXA9EA126-05	Packing Set, 6 in. Plunger Diameter
	GMC0JK11726 TEXA9EA126-06	Packing Set, 6-1/2 in. Plunger Diameter
	CMC0JK11727	Packing Set, 7 in. Plunger Diameter
	GMC0JK-11728 TEXA9EA126-08	Packing Set, 7-1/2 in. Plunger Diameter
	GMC0JK11729 TEXA9EA126-09	Packing Set, 8 in. Plunger Diameter
	GMC0JK-11730 TEXA9EA126-10	Packing Set, 8-1/2 in. Plunger Diameter

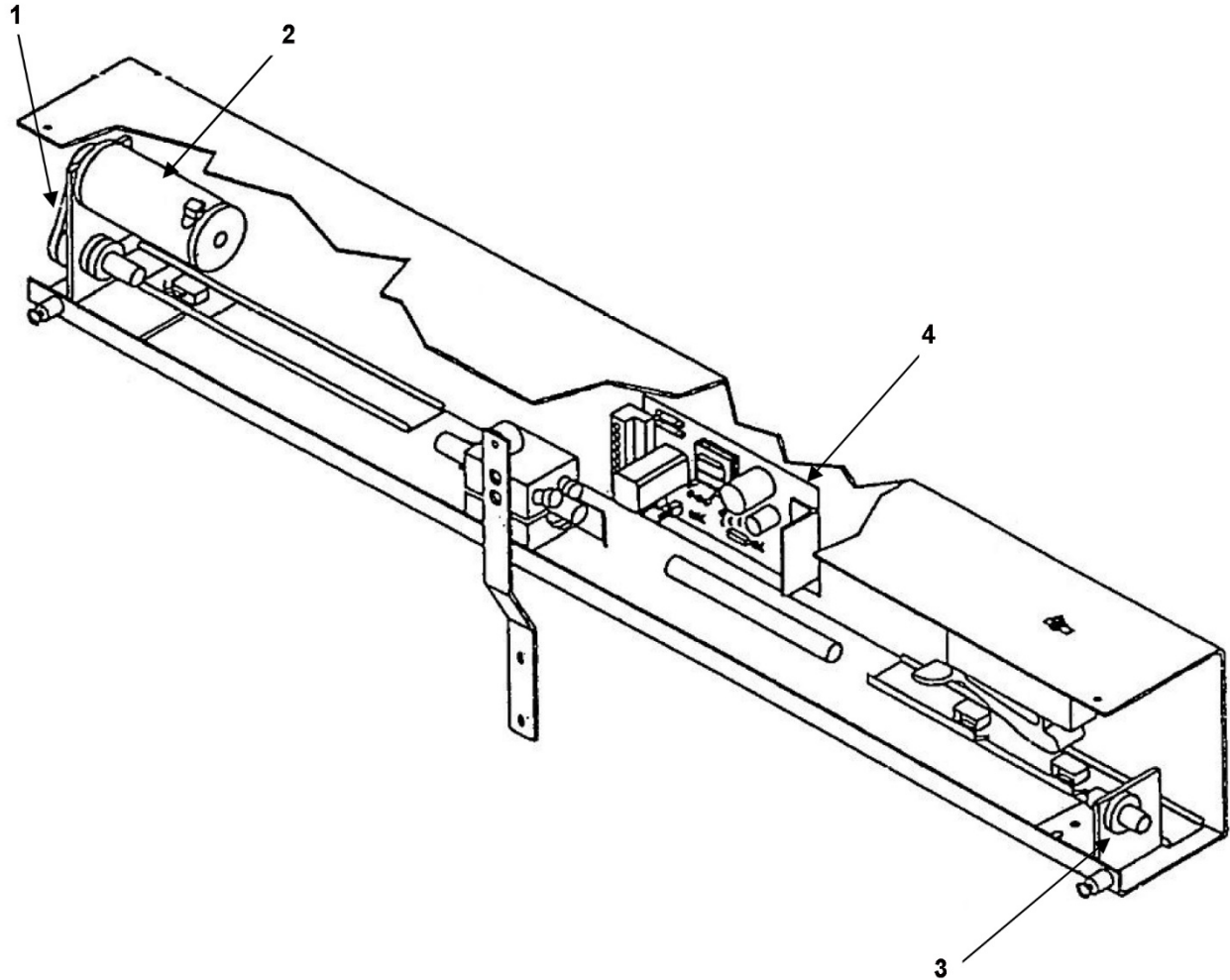
Plunger / Cylinder Packing

40-CEMCO

Telescopic (ALGI)



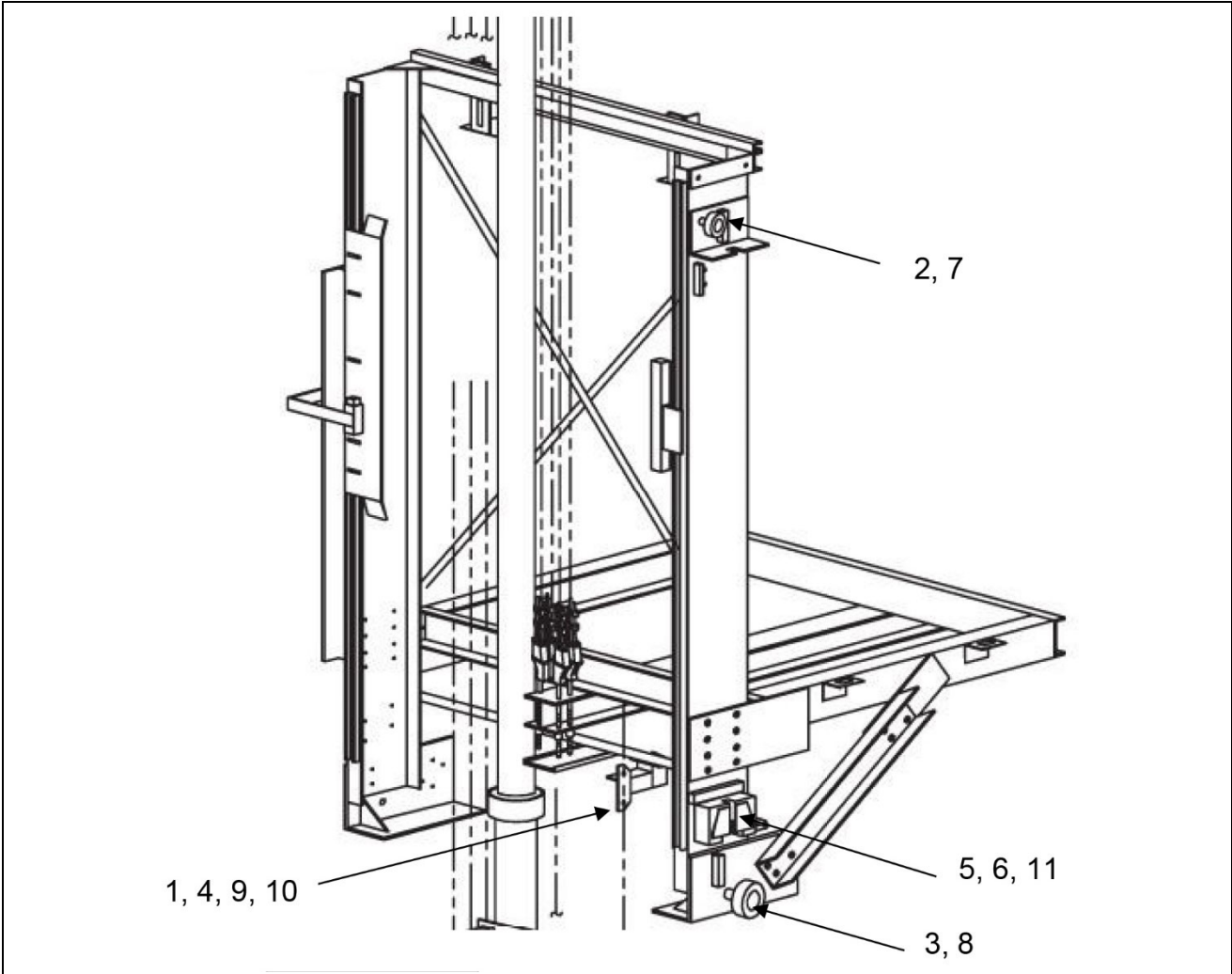
VINTAGE		
REF. No.	PART No.	DESCRIPTION
1	CMC0GJC1	Packing Set, Telescopic 42GL2, Plunger Diameters 63 mm / 85 mm
	CMC0GJD1	Packing Set, Telescopic 57GL2, Plunger Diameters 70 mm / 100 mm
	CMC0GJE1	Packing Set, Telescopic 85GL2, Plunger Diameters 85 mm / 120 mm
	CMC0GJF1	Packing Set, Telescopic 113GL2, Plunger Diameters 100 mm / 140 mm
	CMC0GJP1	Packing Set, Telescopic 90GL3, Plunger Diameters 70 mm / 100 mm / 140 mm



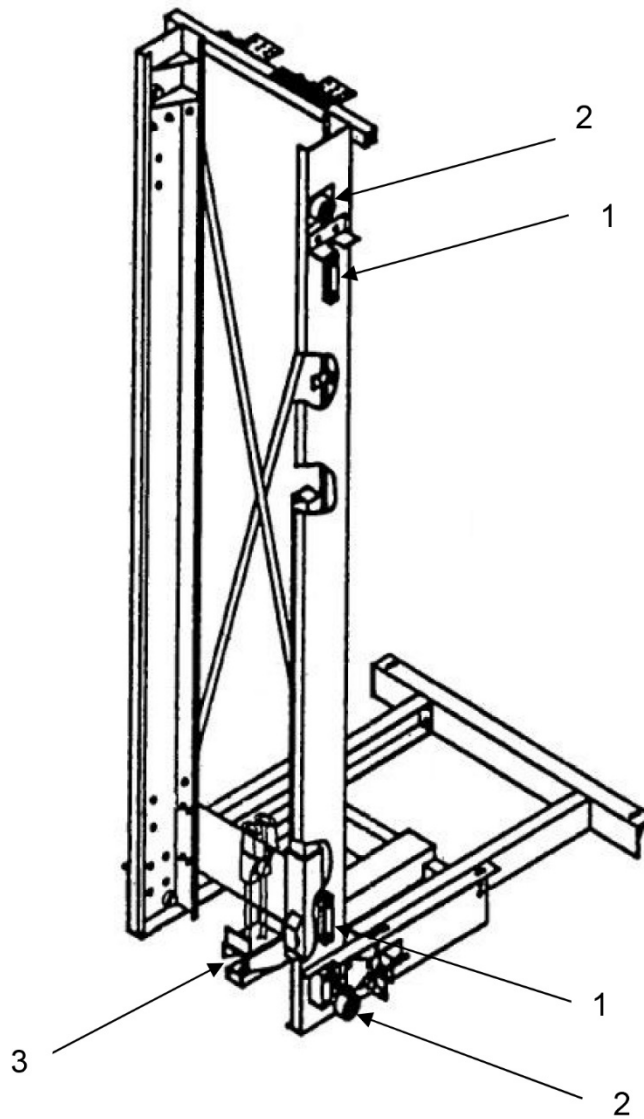
REF. No.	VINTAGE	
	PART No.	DESCRIPTION
1	CMC0RL1-10073	Belt, Drive
2	CMC0CM2523	Motor
3	CMC0CM2526	Switch, Limit
4	CMC0CM-2539-2 CMC0CM25392 IPCA910-1222-020	PCB, Control

Cantilever Carframe (8750)

40-CEMCO



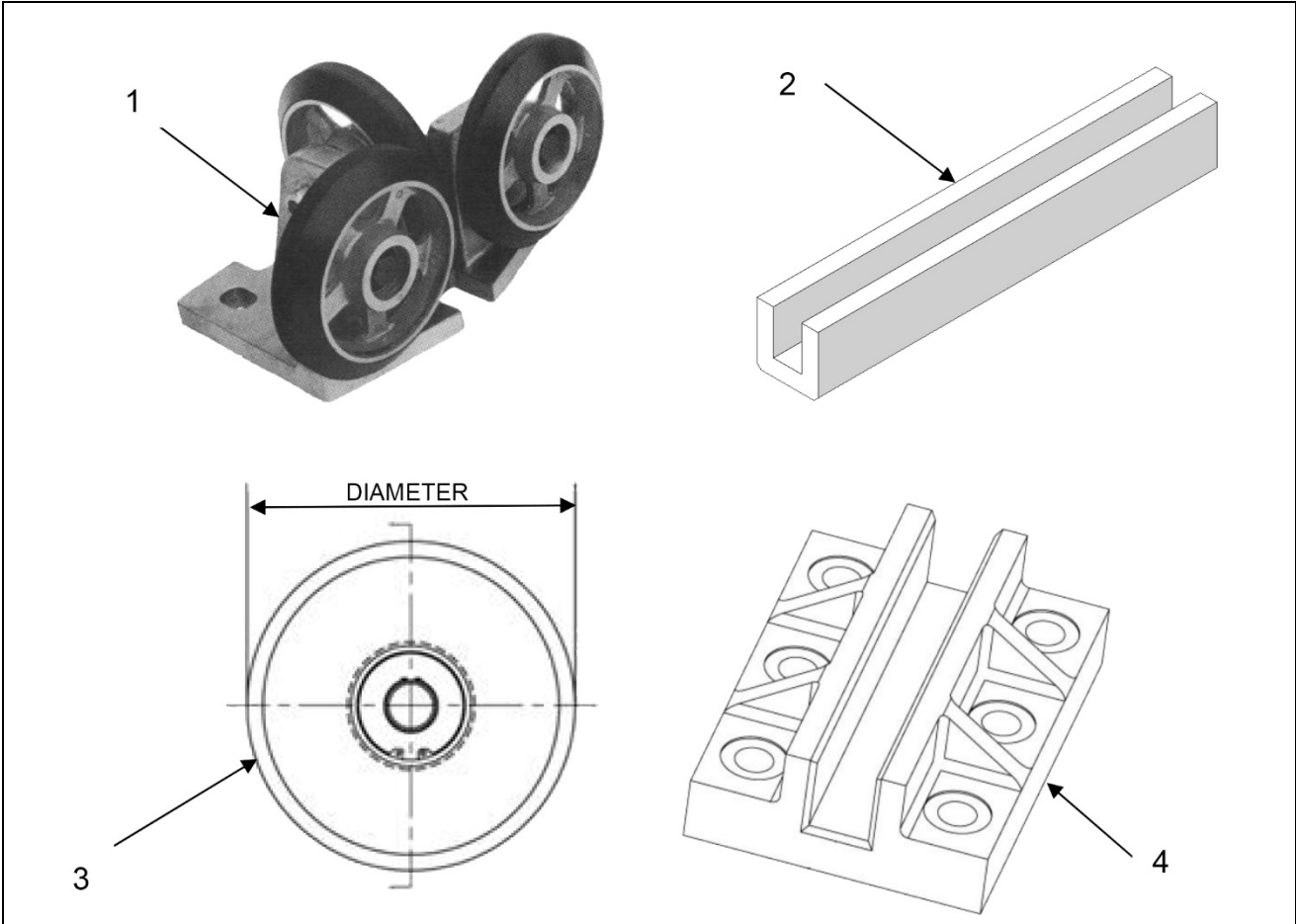
VINTAGE		
REF. No.	PART No.	DESCRIPTION
1	CMC0CM-9136	Arm, Safety Reset
2	CMC0CM-9163 CMC0CM-9163	Assembly, Roller Guide, 5.83 in. Roller, Top
3	CMC0CM-9160	Assembly, Roller Guide, 7-3/4 in. Roller, Bottom
4	CMC0CM-2648	Bolt, U
5	CMC0CM-2413	Cover
6	CMC0CM-2412	Grip, Safety
7	CMC0CM-2604	Guide, Roller, 5.83 in. Diameter (Replacement Roller for CMC0CM-9163)
8	CMC0CM-2603	Guide, Roller, 7-3/4 in. Diameter (Replacement Roller for CMC0CM-9160)
9	CMC0CM-9135	Mount, Switch
10	CMC0CM-2644	Pin, Collar
11	CMC0CM-2426	Pin, Gripper



VINTAGE		
REF. No.	PART No.	DESCRIPTION
1	CMC0RL1-2067	Assembly, Gib w/ Nylon Block
2	CMC0RL1-9018C	Guide, 2-3/8 in. Concentric Roller, Top
	CMC0RL1-9018E	Guide, 2-3/8 in. Eccentric Roller, Bottom
	CMC0EZ19018E	Guide, 3-3/16 in. Eccentric Roller, Top & Bottom
3	CMC0CL-11082	Switch, Slack Cable

Guides, Sliding and Roller

40-CEMCO



REF. No.	VINTAGE PART No.	DESCRIPTION
1	CMC0SGP5	Assembly, Roller Guide, 5-3/4 in., ELPRO 815RG
2	CMC0CM-12412	Gib, Insert, 3-Piece, 8-17/32 in. Long, Duk-24, for 18.5# Rails
3	CMC0CM-2605 CMC0CM-9164	Guide, Roller, 4.5 in. Diameter
	CMC0CM-11627	Guide, Roller, 4-7/8 in. Diameter, ACLA
	CMC0CL-11078	Guide, Roller, 4-7/8 in. Diameter, ELCO RC 125
	CMC0CL-12590	Guide, Roller, 5-3/4 in. Diameter (Replacement Roller for CMC0SGP5)
4	CMC0CM400-10	Guide, Sliding, Freight In-Stile, for 8#, 12# & 15# Rails
	CMC0CM400-20	Guide, Sliding, Freight In-Stile, for 18# Rails
	CMC0CM400-30	Guide, Sliding, Freight In-Stile, for 22# Rails
	CMC0CM400-40	Guide, Sliding, Freight In-Stile, for 30# Rails
5	CMC0CL-11387	Shoe, Swivel Slide Guide, Duk-24, 9 in. Long, for 15# Rails
	CMC0SGS	Shoe, Swivel Slide Guide, ELPRO 816SS, 6 in. Long, for 15# Rails

VINTAGE		
REF. No.	PART No.	DESCRIPTION
1	CMC03L14034*A	Assembly, Roller Guide, Left
	CMC03L14034*B	Assembly, Roller Guide, Right
2	CMC0LG-10682	Bearing, Main Drive, 22210B
3	CSA00C250	Coil, Brake
4	ASG00C518A	Contact, C3ST, C4ST
5	CMC0LG-10419	Coupling, Star Element (Spider)
6	CMC0LG-10132	Guide, Handrail Roller, Center
7	CMC03L05409A 3L05409A	Guide, Nylon
8	CMC0LG-10609	Insert, Step
9	CMC0LG-10414 ASG00C626B	Key, Startup
10	ASG00C133C	PCB, EOC-200
11	CMC0LG-10127	PCB, ESMP-100
12	ASG00C520E	PCB, ESP-200, 460-480V
13	CMC0LG-10417 ASG00C176A	Relay, C5SC
14	CMC0LG-10130	Screw, Self-Tapping, Step Demarcation Insert
15	CMC04L09458A 4L09458A	Seal, Oil, Lip, 68 mm x 95 mm x 13 mm
16	CMC0LG-10465	Sensor, Missing Step
17	CMC0LG-10247 ASG00C381A	Switch, Proximity
17	CMC0LG-10131	Washer, Step Roller

Miscellaneous

40-CEMCO

REF. No.	PART No.	DESCRIPTION
1	GMC0110-29-A HLWT110-29-A	Assembly, Brake Shoe, Type 110
2	CMC0RL1-2227	BDU, Battery Descent Unit
3	CMC0LG-10406 AEN46C563*B	Button, Push, Hall, Round, Red
4	CMC0LG-10399 AEG12C561A	Encoder, Rotary, w/o Cable
5	CMC0LG-10299 AEA00B282*F	Fan, Line Flow, Car Top, 220V
6	CMC0TS-89-G	Guide, Tape, T8-89 Tape Reader
7	CMC0EN3	Motor, Submersible, 10HP, 208VAC
8	CMC0CL-12370	Motor, Submersible, 20HP, 230/460VAC, 120 Starts/hr
9	CMC030HC4CUS001	Motor, Submersible, 30HP, 208VAC
10	CMC0ENZ5	Motor, Submersible, 50HP, 575VAC
11	CMC025014	PCB, ESIS I/O
12	CMC0LG-10401	PCB, Hall Station, DHL-270
13	CMC0LG-10276-DCI-260-PCB 3X03445A	PCB, Indicator (LED Style)
14	3X03445*A	PCB, Indicator (7 Segment Style)
15	CMC0LG-10278	PCB, Power Control, DCL-244
16	CMC0LG-10283	PCB, Power Control, DHI-221
17	CMC0LG-10472 LG0TAEG10C354*A AEG10C354A	PCB, Power Control, DOC-220 DI
18	CMC0LG-10295	PCB, Power Control, DPP-210
19	CMC0LG-10318	Power Supply, SMPS, (5V / 15V / -15V)
20	CMC0CL-11951	Shoe, Tape Selector Guide, ESI
21	CMC0RL1-2102 MTGM520770	Switch, Limit
22	CMC0MPS-1600LG	Switch, Proximity
23	CMC0D0T CMC0CL12833	Switch, Proximity
24	CMC0PXF CMC0JXF	Ring, Retaining, RRN-1150
25	QUALRC110S	Solenoid